

# WADLEY, ALABAMA

## PLANS FOR

---

# MUNICIPAL ROAD IMPROVEMENTS

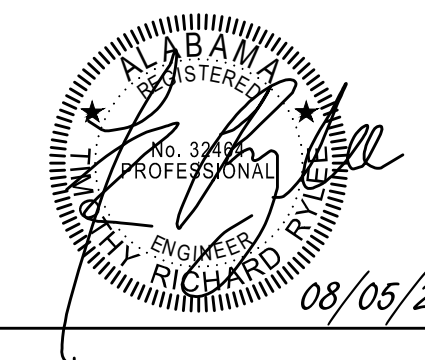
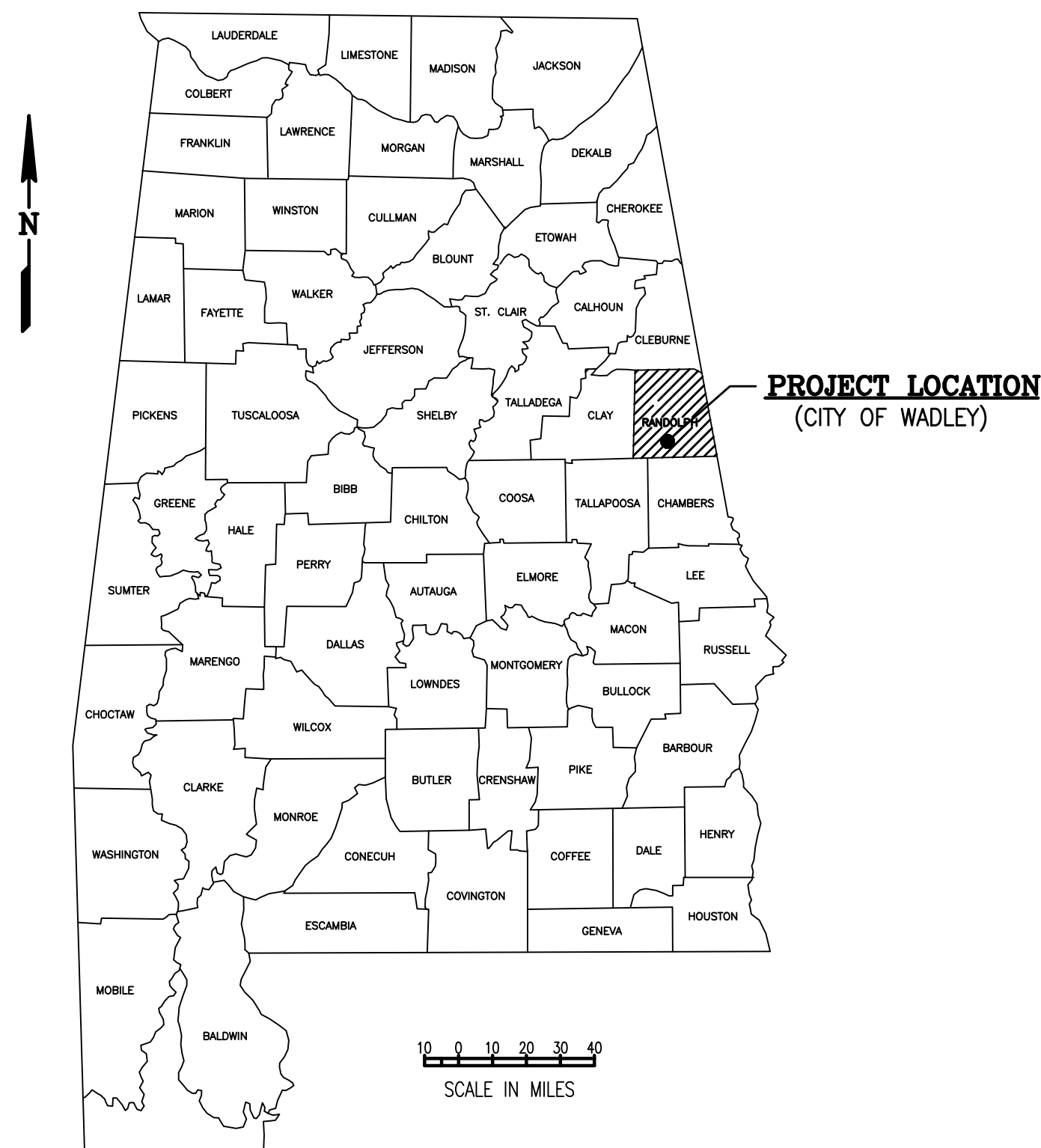
## PROJECT No. 242-R2

## RE-PAVING IMPROVEMENTS

### (2022 REBUILD ALABAMA GRANT)

**INDEX**

Sheet Number	Sheet Title
242-R2-01	TITLE SHEET
242-R2-02	RE-PAVING IMPROVEMENTS
242-R2-03	TRAFFIC CONTROL PLAN
SDS-SD1	TRENCH DETAILS
SDS-SD2	HEADWALL DETAILS
SDS-TC1	GENERAL TRAFFIC CONTROL PLAN NOTES
SDS-TC2	TRAFFIC CONTROL PLAN DETAILS



APPROVED: \_\_\_\_\_ DATE 08/05/2022  
INSITE ENGINEERING

**NOTES:**

DATUM IS BASED ON MEAN SEA LEVEL AS TAKEN FROM U.S.C. & G.S. BENCH MARKS.

NO.	DATE	REVISIONS	CHKD.	APPR.	NO.	DATE	REVISIONS	CHKD.	APPR.
1	08/05/22	PROJECT 242-R2 REBUILD ALABAMA	S.W.N.	S.W.N.					

DRAWN MGH

CHECKED BKP

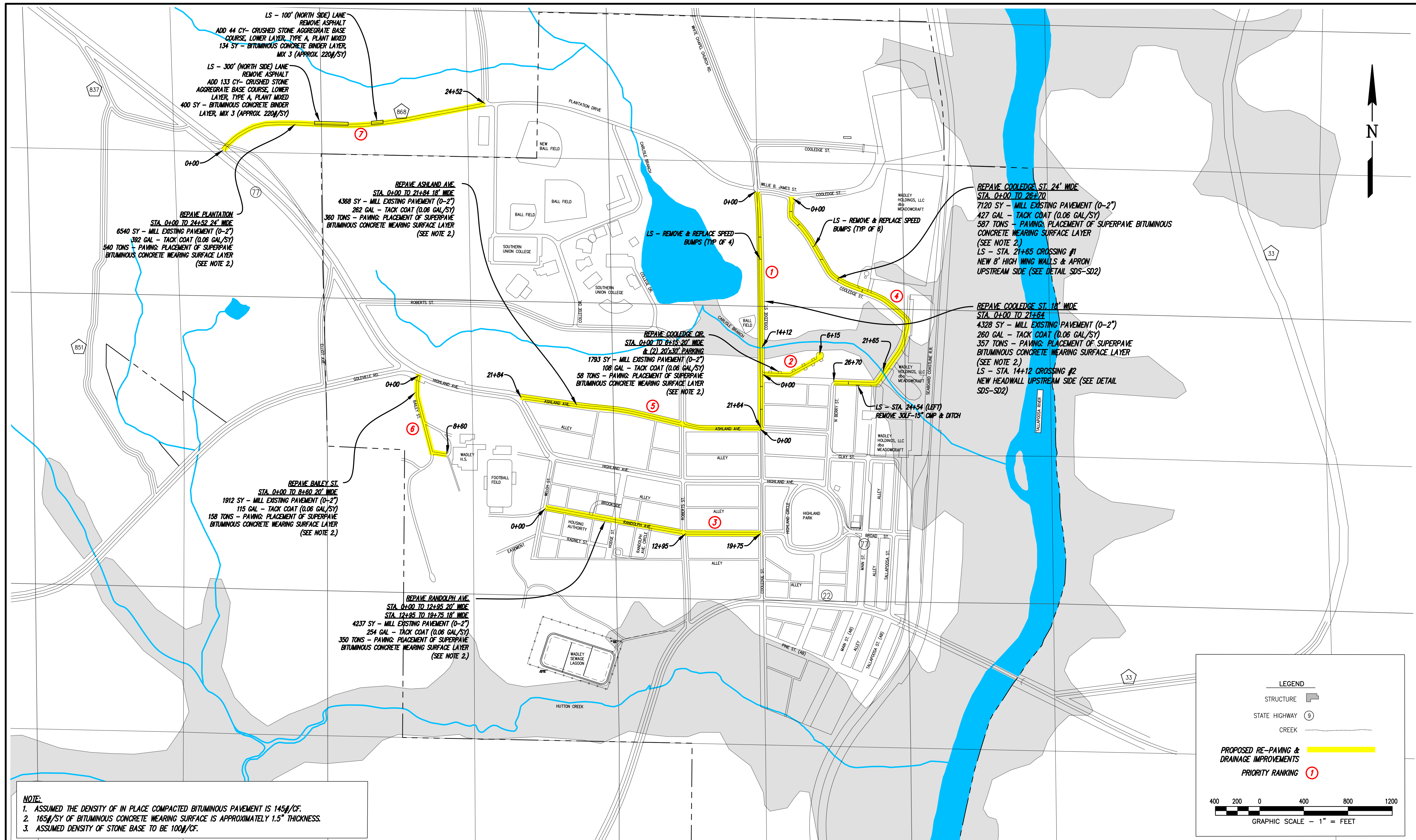
APPROVED \_\_\_\_\_

**INSITE ENGINEERING**  
 HOOVER | TUSCALOOSA  
 5800 FELDSPAR WAY  
 HOOVER, ALABAMA 35244  
 OFFICE (205) 733-9696 FAX (205) 733-9697

WADLEY, ALBAMA  
 RE-PAVING IMPROVEMENTS  
**TITLE SHEET**

REV. ①

242-R2-01



**NOTE:**  
 1. ASSUMED THE DENSITY OF IN PLACE COMPACTED BITUMINOUS PAVEMENT IS 145#/CF.  
 2. 165#/SY OF BITUMINOUS CONCRETE WEARING SURFACE IS APPROXIMATELY 1.5" THICKNESS.  
 3. ASSUMED DENSITY OF STONE BASE TO BE 100#/CF.

**LEGEND**

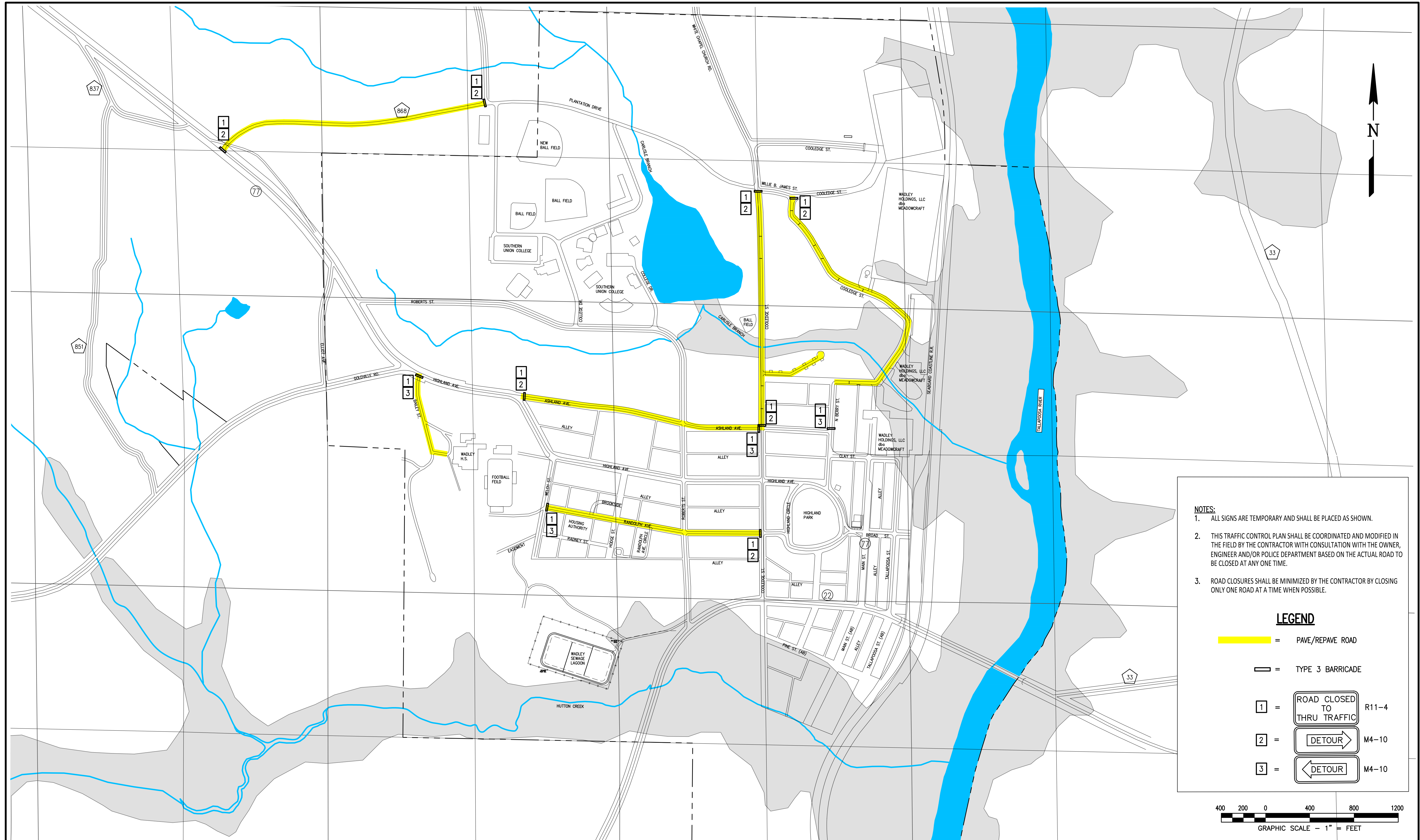
- STRUCTURE
- STATE HIGHWAY
- CREEK
- PROPOSED RE-PAVING & DRAINAGE IMPROVEMENTS
- PRIORITY RANKING

400 200 0 400 800 1200  
 GRAPHIC SCALE - 1" = FEET

NO.	DATE	REVISIONS	CHKD.	APPR.	NO.	DATE	REVISIONS	CHKD.	APPR.	DRAWN	CHECKED	APPROVED	PROJECT	REV.
1	08/05/22	PROJECT 242-R2 REBUILD ALABAMA	S.W.N.	S.W.N.						MGH	SWN		WADLEY, ALABAMA RE-PAVING IMPROVEMENTS	1
														242-R2-02

**INSITE ENGINEERING**  
 HOOVER | TUSCALOOSA  
 5800 FELDSPAR WAY  
 HOOVER, ALABAMA 35244  
 OFFICE (205) 733-9696 FAX (205) 733-9697

WADLEY, ALABAMA  
 RE-PAVING IMPROVEMENTS  
 REV. 1  
 242-R2-02

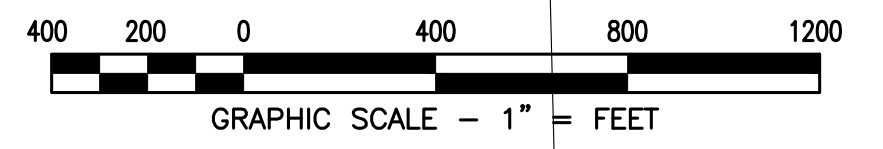


**NOTES:**

1. ALL SIGNS ARE TEMPORARY AND SHALL BE PLACED AS SHOWN.
2. THIS TRAFFIC CONTROL PLAN SHALL BE COORDINATED AND MODIFIED IN THE FIELD BY THE CONTRACTOR WITH CONSULTATION WITH THE OWNER, ENGINEER AND/OR POLICE DEPARTMENT BASED ON THE ACTUAL ROAD TO BE CLOSED AT ANY ONE TIME.
3. ROAD CLOSURES SHALL BE MINIMIZED BY THE CONTRACTOR BY CLOSING ONLY ONE ROAD AT A TIME WHEN POSSIBLE.

**LEGEND**

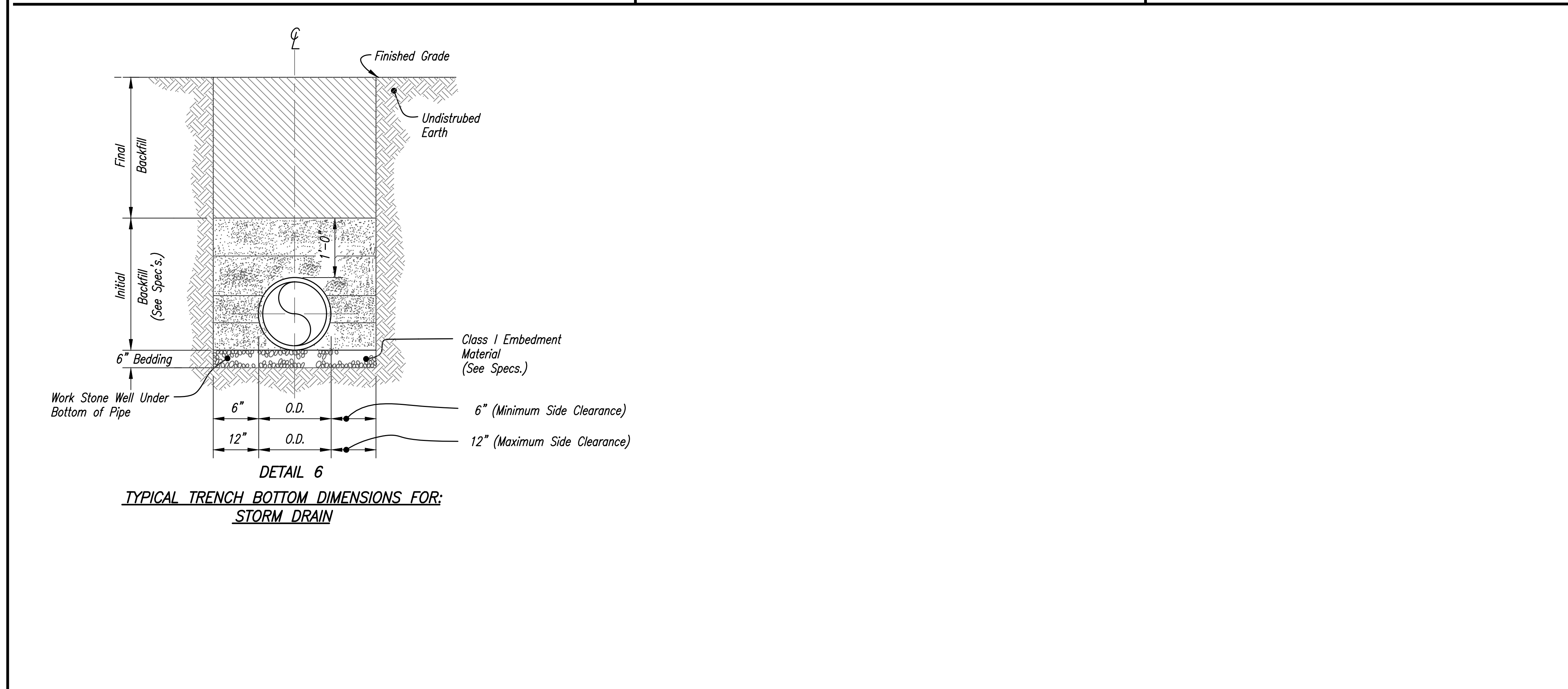
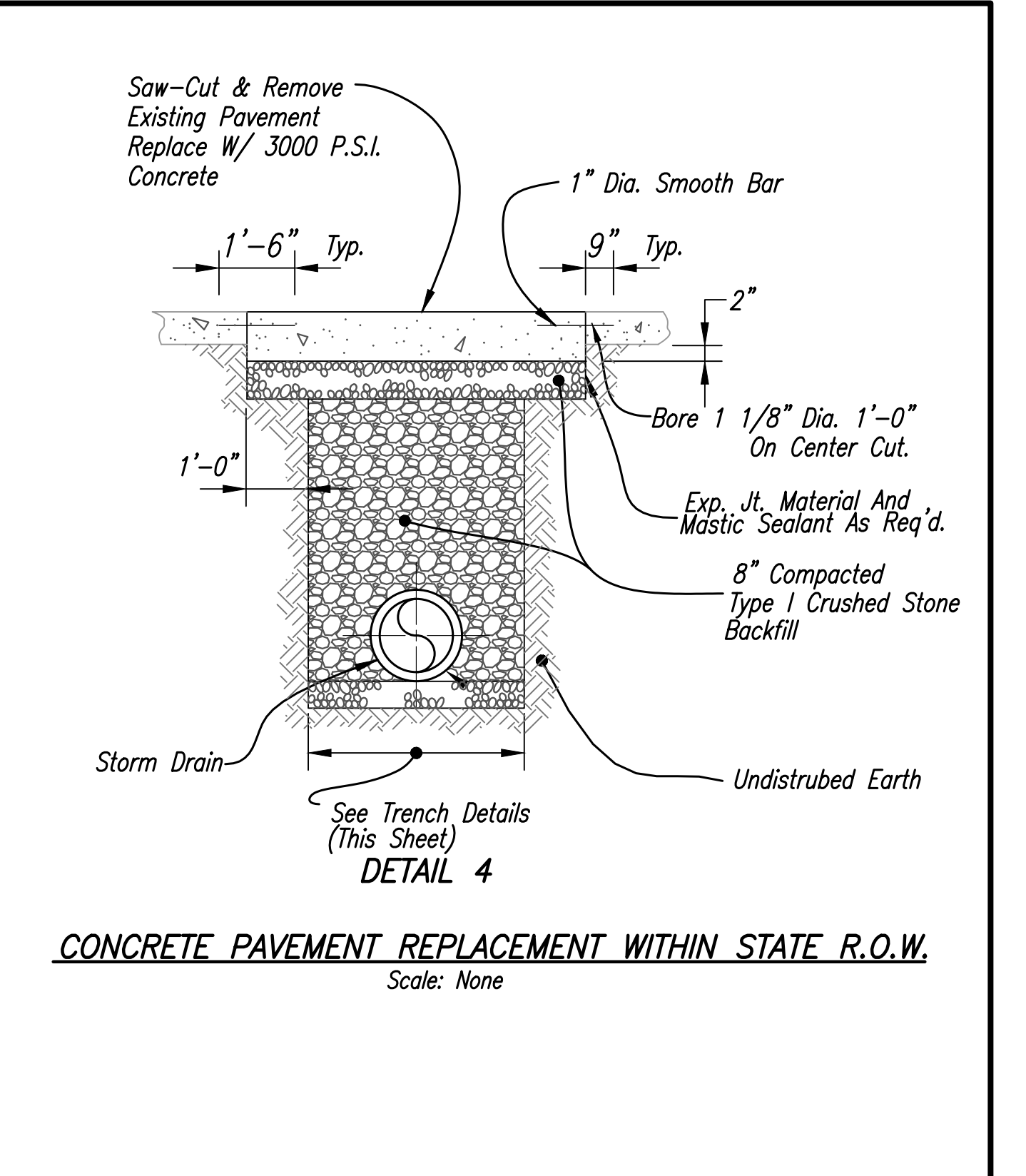
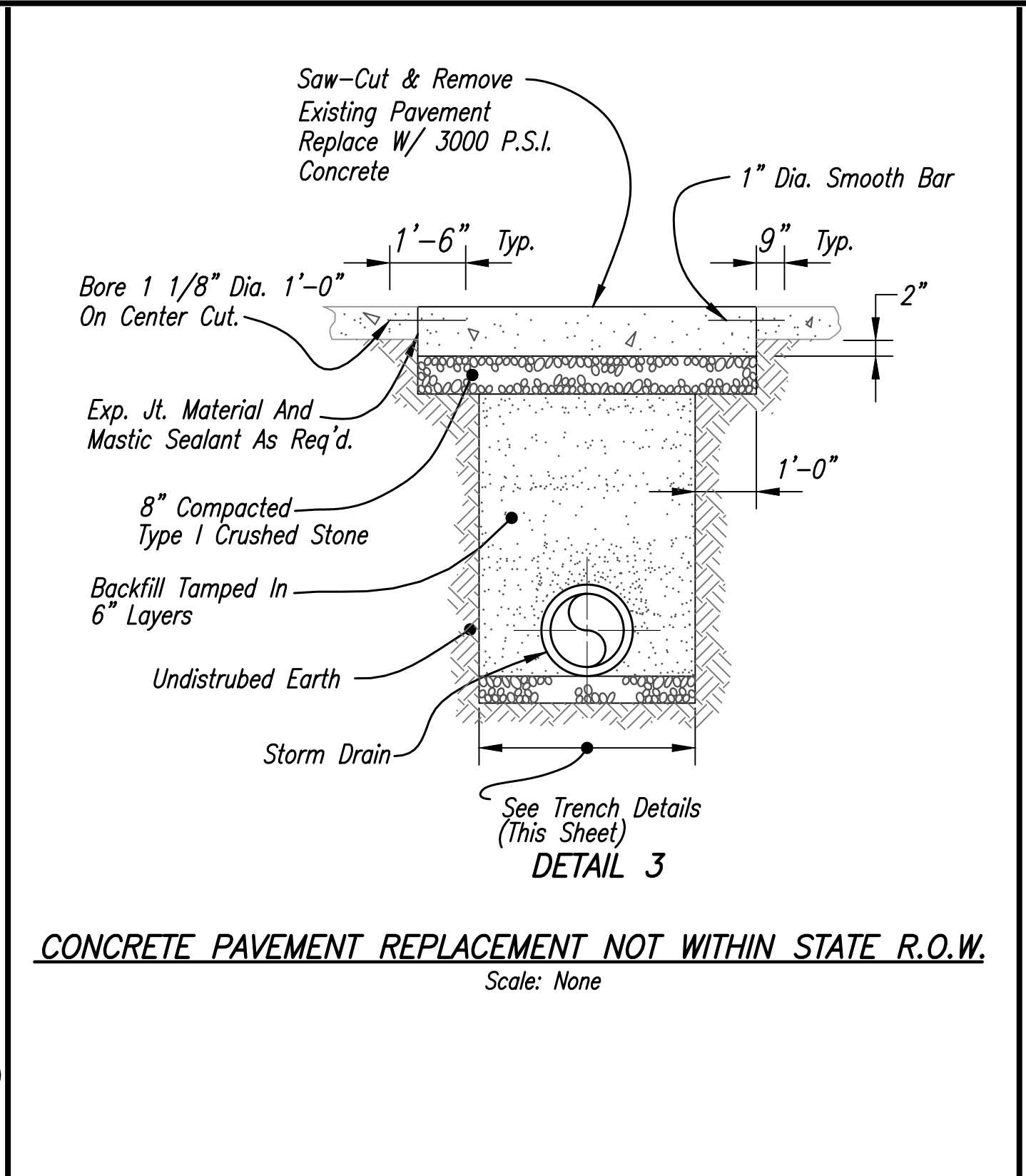
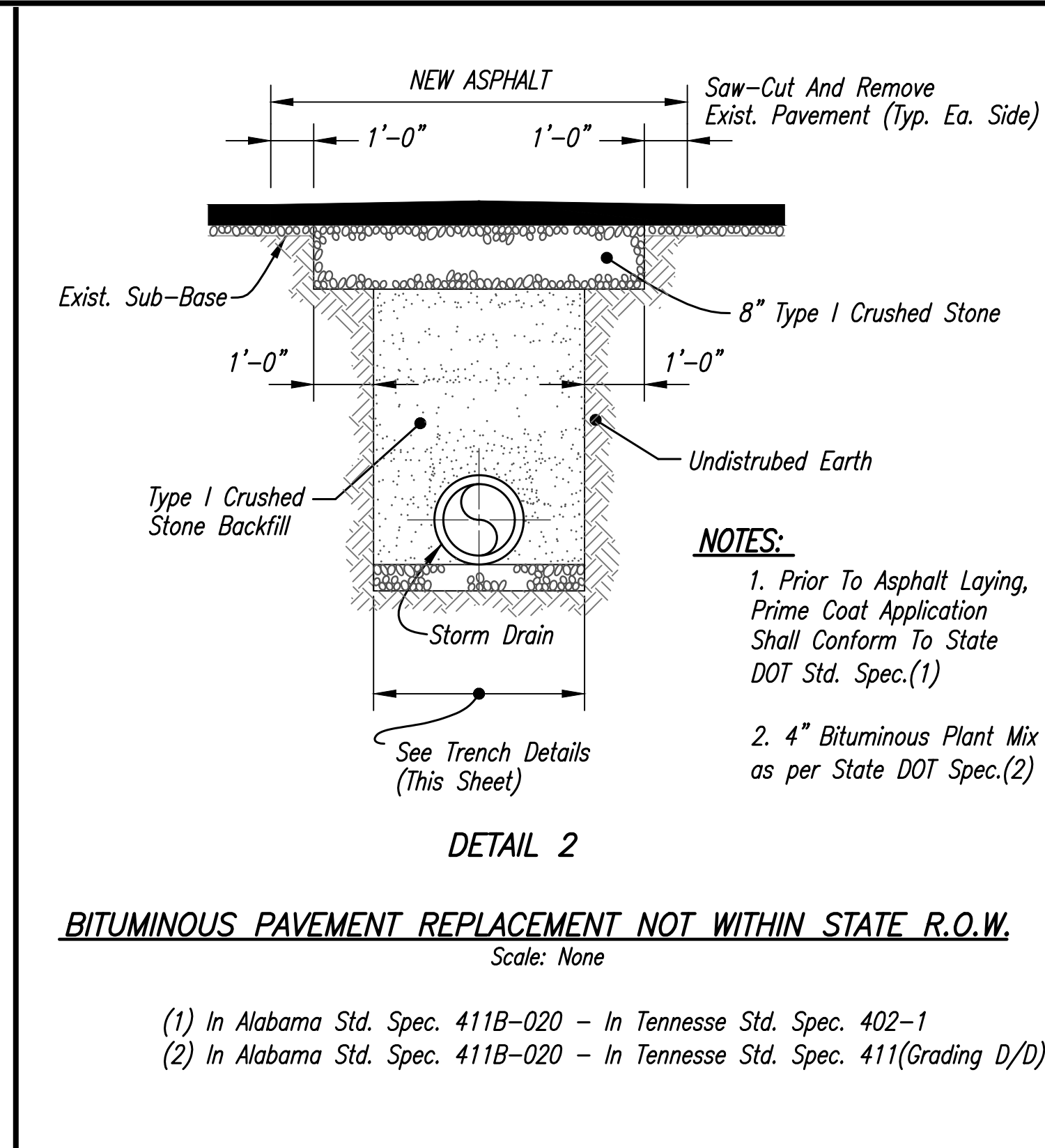
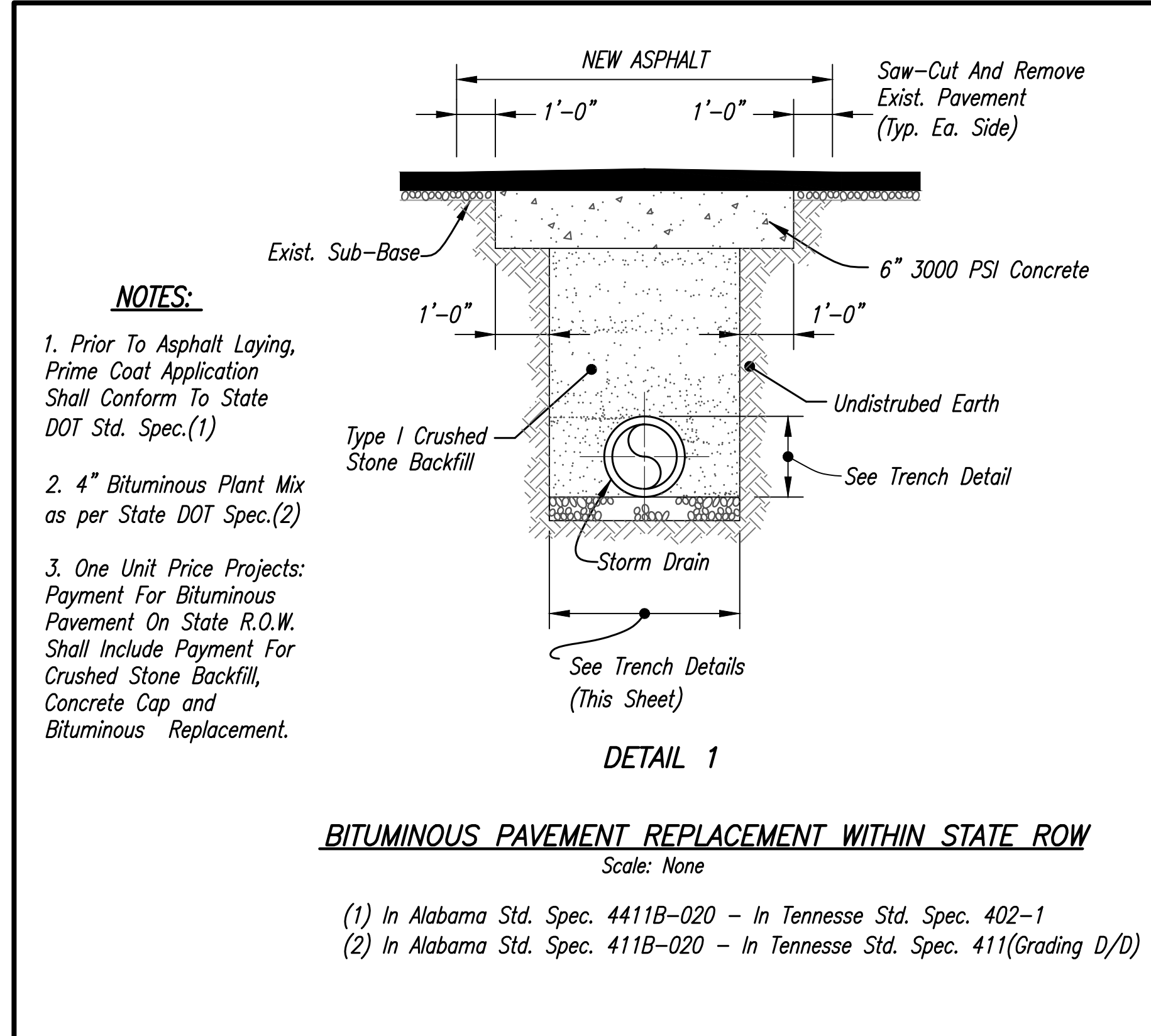
- = PAVE/REPAVE ROAD
- = TYPE 3 BARRICADE
- = ROAD CLOSED TO THRU TRAFFIC R11-4
- = DETOUR M4-10
- = DETOUR M4-10



NO.	DATE	REVISIONS	CHKD.	APPR.	NO.	DATE	REVISIONS	CHKD.	APPR.
1	08/05/22	PROJECT 242-R2 REBUILD ALABAMA	S.W.N.	S.W.N.					

**INSITE ENGINEERING**  
 HOOVER | TUSCALOOSA  
 5800 FELDSPAR WAY  
 HOOVER, ALABAMA 35244  
 OFFICE (205) 733-9696 FAX (205) 733-9697


WADLEY, ALABAMA  
 RE-PAVING IMPROVEMENTS  
**TRAFFIC CONTROL PLAN**  
 REV. ①  
 242-R2-03



- NOTES:**
- For Trenches Requiring Shoring And Bracing, Dimensions Shall Be Taken From The Inside Face Of The Shoring And Bracing.
  - No Rocks Or Boulders 1 1/2" Or Larger To Be Used In Initial Backfill.
  - All Backfill Material Shall Be Suitable Native Material.
  - Backfill Shall Be Tamped In 6" Layers In Traffic Areas, 12" In Non-Traffic Areas.
  - All Stormdrain Pipe Shall Be Class 3 Reinforced Concrete Pipe Unless Otherwise Noted.

NO.	DATE	REVISIONS	CHKD.	APPR.	NO.	DATE	REVISIONS	CHKD.	APPR.	NO.	DATE	REVISIONS	CHKD.	APPR.

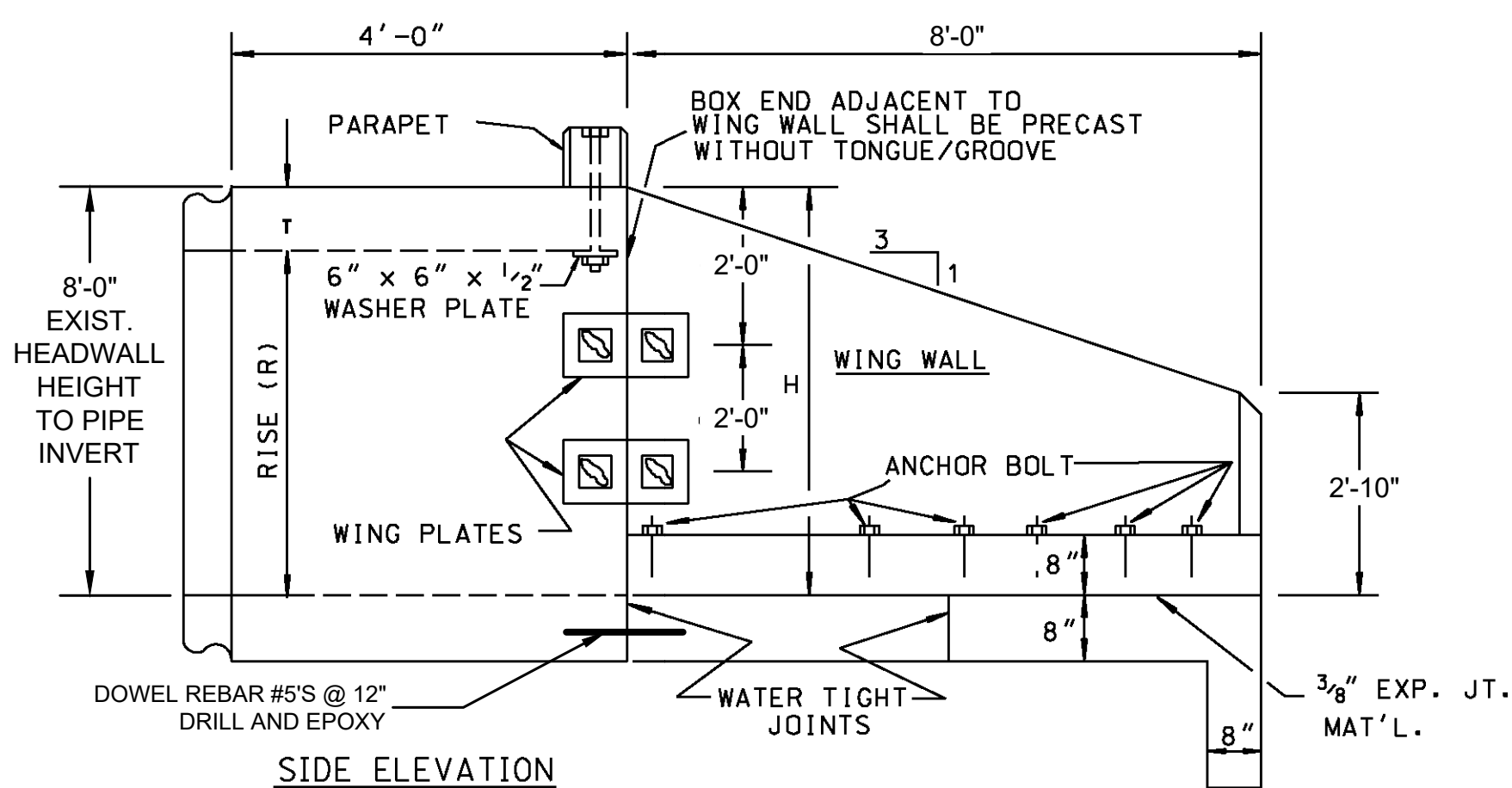
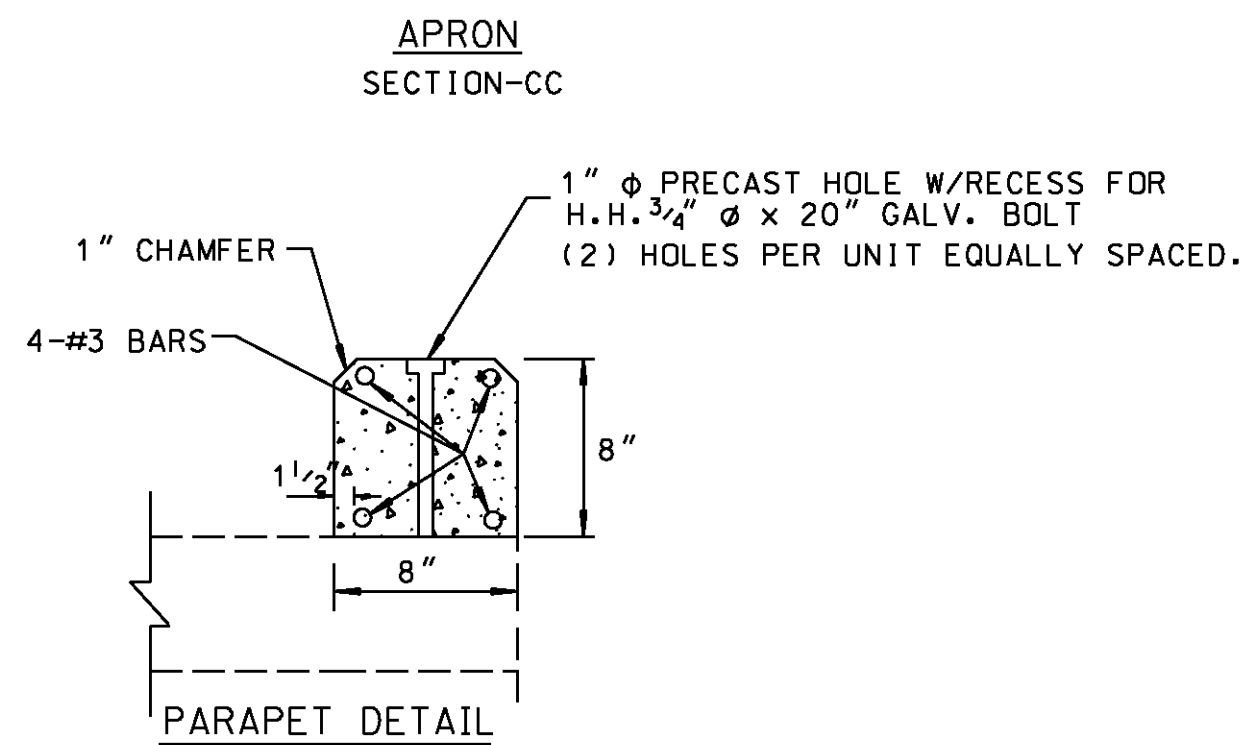
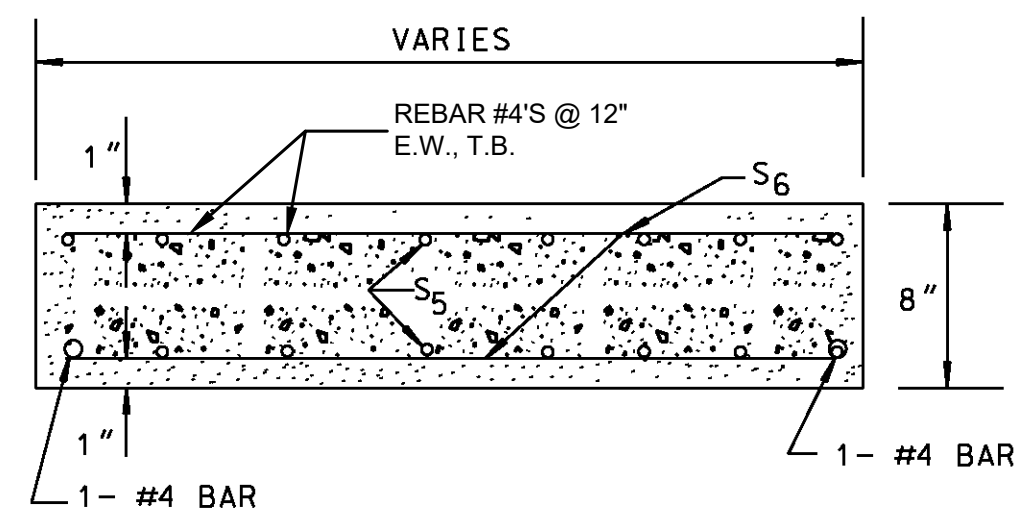
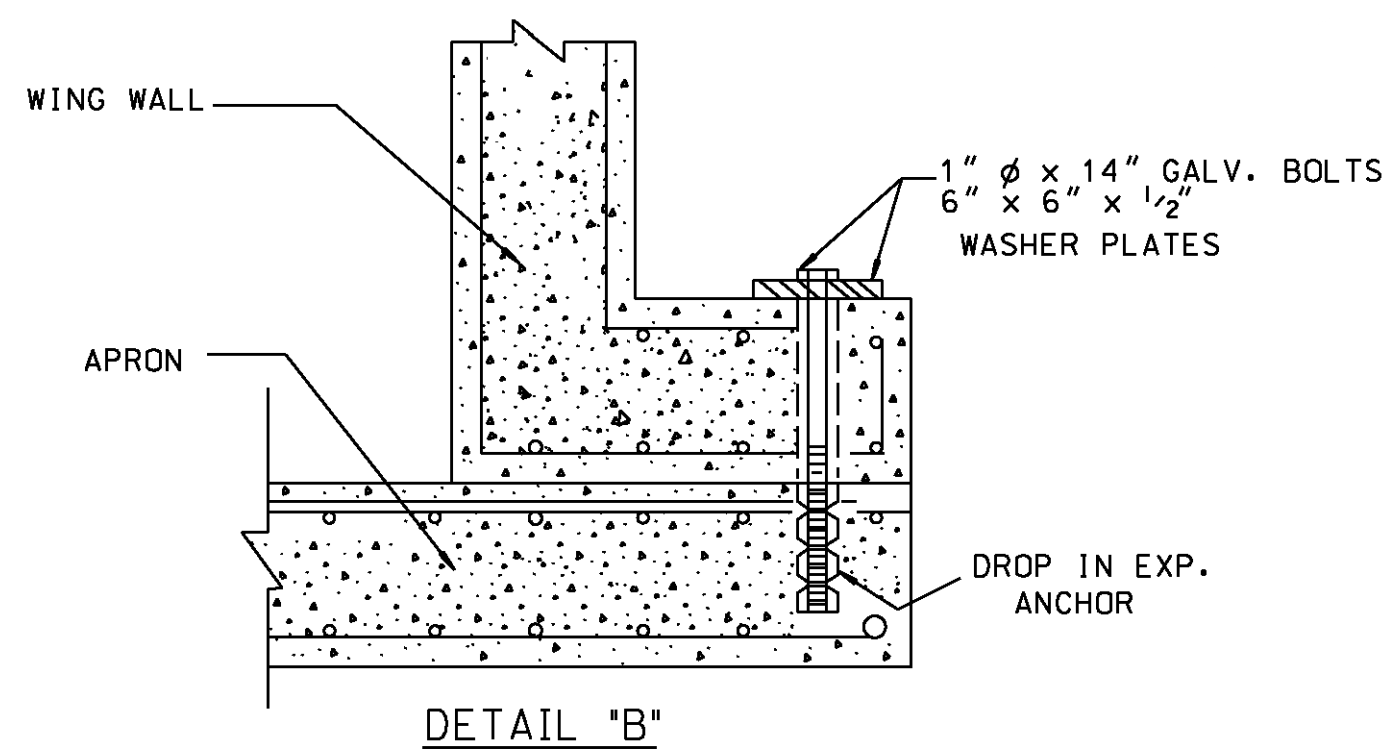
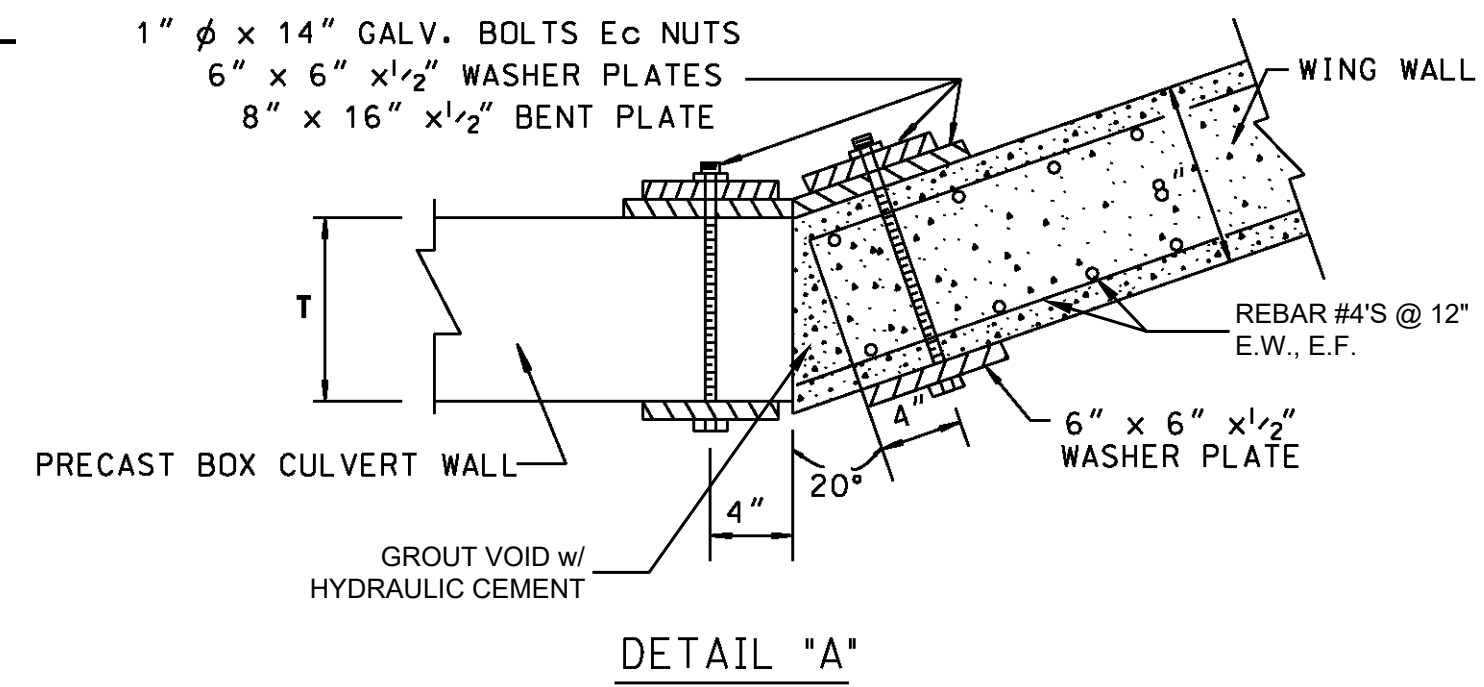
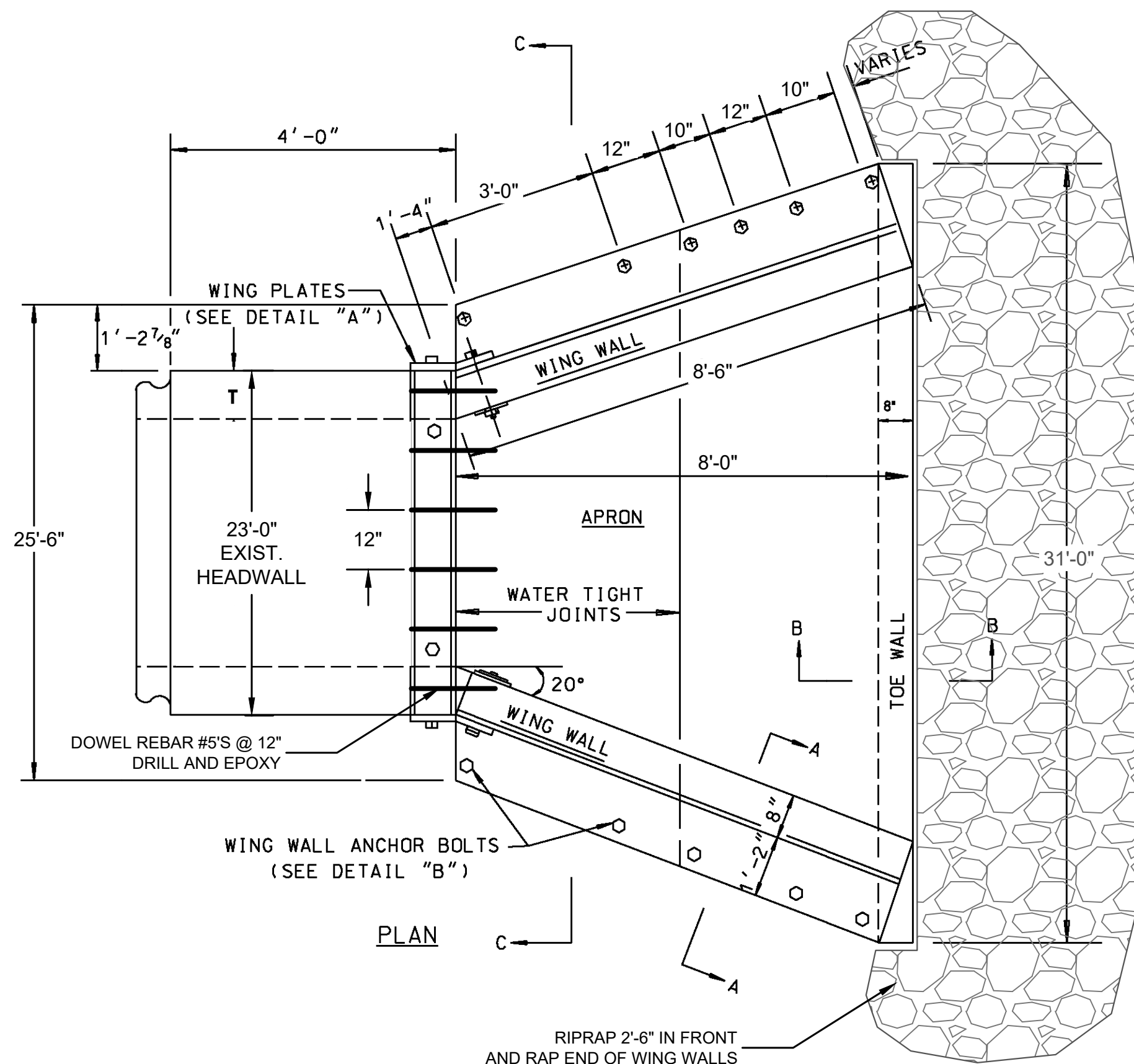
DRAWN MGH  
 CHECKED SWN  
 APPROVED \_\_\_\_\_



**INSITE ENGINEERING**  
 HOOVER | TUSCALOOSA  
 5800 FELDSPAR WAY  
 HOOVER, ALABAMA 35244  
 OFFICE (205) 733-9696 FAX (205) 733-9697

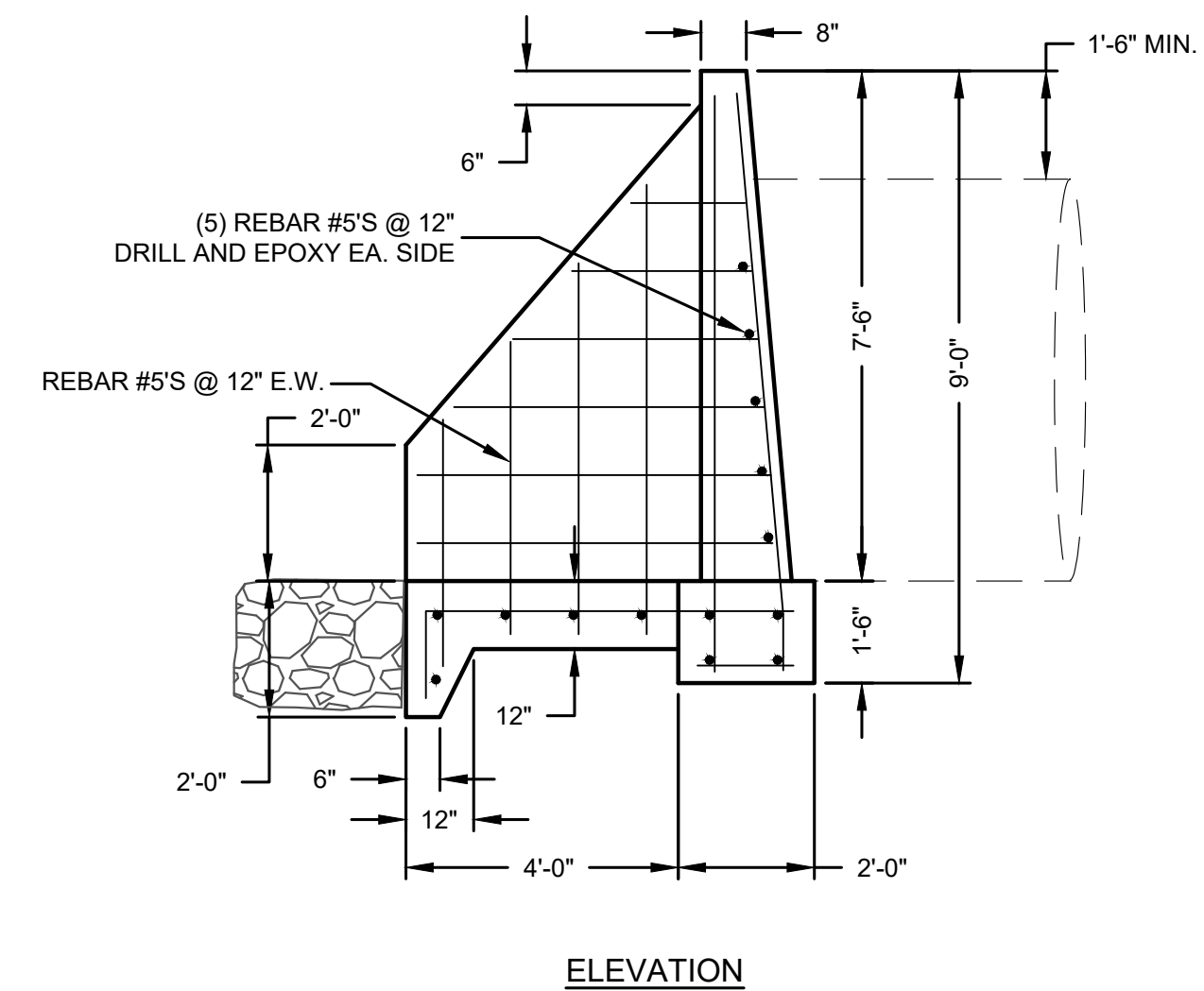
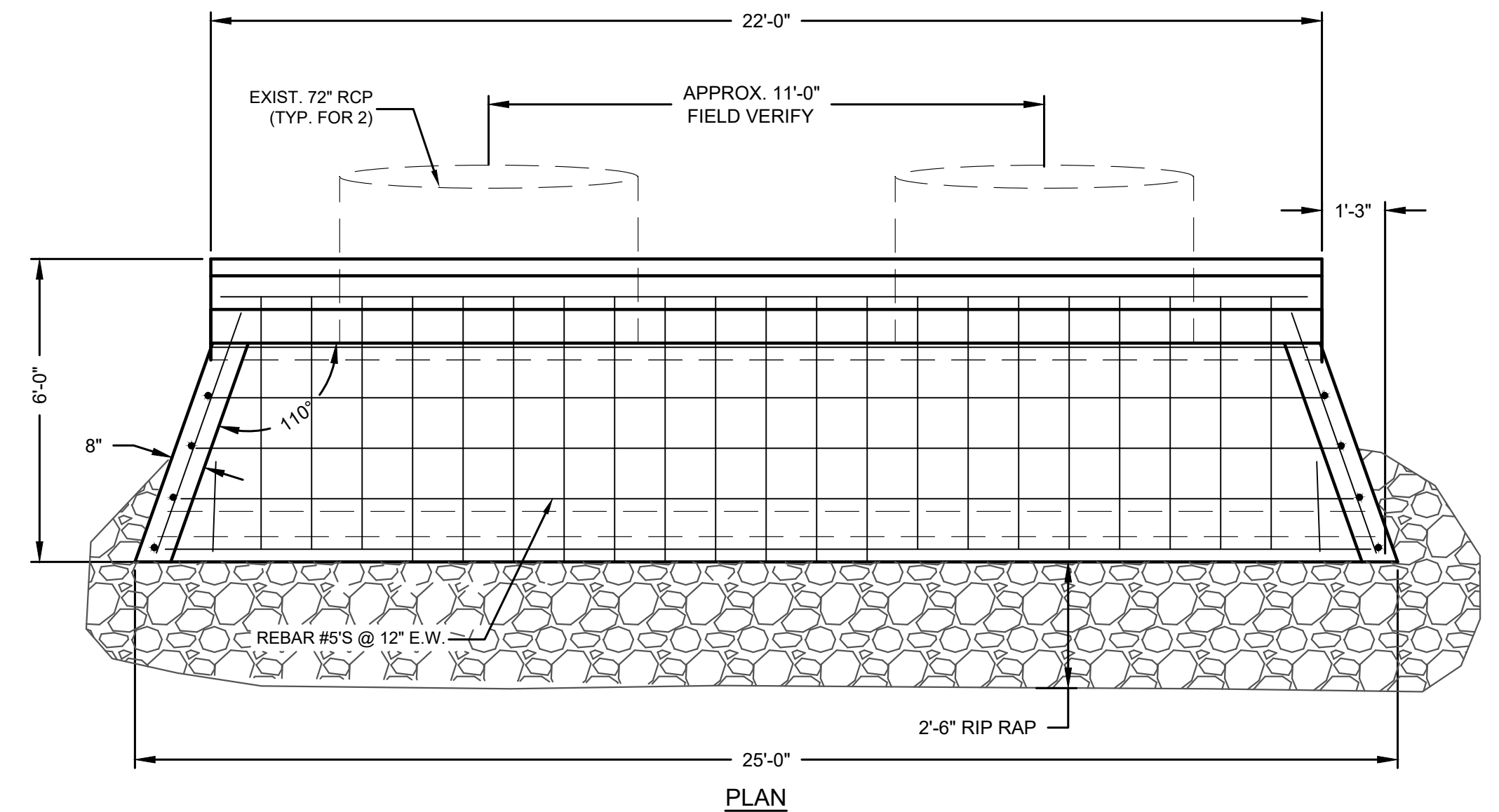
STANDARD DETAIL SHEET  
 TRENCH DETAILS – STORM DRAIN  
 DETAIL

REV. ①  
 SDS-SD1  
 SCALE AS SHOWN



DETAIL FOR CROSSING 1  
N.T.S.

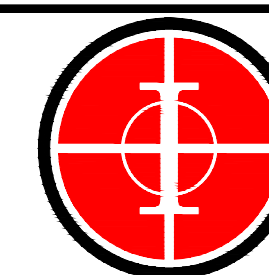
- GENERAL NOTES
- FOR BOX CULVERT SECTION DESIGN AND TABLE OF DIMENSIONS, SEE AASHTO M-273 (ASTM C 850) AND M-259 (ASTM C 789). CONCRETE SHALL HAVE 5000 P.S.I. COMPRESSIVE STRENGTH.
  - REINFORCING WIRE SHALL HAVE A MIN. YIELD STRENGTH OF 65000 P.S.I.
  - STEEL PLATES SHALL BE GALVANIZED AFTER FABRICATION IN ACCORDANCE WITH AASHTO M111. BOLTS AASHTO M298, CLASS 50.
  - PRECAST APRON JOINTS SHALL BE INSTALLED WITH A WATER TIGHT SEAL.
  - BEVELED PRECAST BOX CULVERT END SECTIONS MAY BE USED IN LIEU OF PRECAST END SECTIONS AS DETAILED, PRIOR APPROVAL FOR USE WILL BE REQUIRED.
  - CAST IN PLACE CULVERT WING WALLS, PARAPETS AND APRONS MAY BE USED IN LIEU OF PRECAST END SECTIONS AS DETAILED. DRILL AND GROUT IN NO. 5 DEFORMED BARS- 24" LONG @ 6" O.C. FOR ATTACHING.
  - APRONS WITH TOE WALL AS DETAILED MAY BE CAST IN PLACE IN LIEU OF PRECASTING. JOINTING WILL NOT BE REQUIRED. FOR EXTRA DEPTH TOE WALLS (TOE WALL EXTENSION) SEE STD DWG NO. CS-3-1.



DETAIL FOR CROSSING 2  
N.T.S.

NO.	DATE	REVISIONS	CHKD.	APPR.	NO.	DATE	REVISIONS	CHKD.	APPR.
1	08/05/22	PROJECT 242-R2 REBUILD ALABAMA	S.W.N.	S.W.N.					

DRAWN	MGH
CHECKED	JMC
APPROVED	



**INSITE ENGINEERING**  
 HOOVER | TUSCALOOSA  
 5800 FELDSPAR WAY  
 HOOVER, ALABAMA 35244  
 OFFICE (205) 733-9696 FAX (205) 733-9697

WADLEY, ALABAMA  
 RE-PAVING IMPROVEMENTS  
**HEAD WALL DETAILS**

REV. ①  
 SDS-SD2  
 SCALE AS SHOWN

○ DENOTES NOTES THAT APPLY TO THIS PROJECT

- 700 THE TRAFFIC CONTROL PLAN IS DEVELOPED IN CONFORMANCE WITH THE MANUAL ON UNIFORM TRAFFIC CONTROL DEVICES PART 6, 2009 EDITION. THE TRAFFIC CONTROL DEVICES INDICATED REPRESENT CONDITIONS KNOWN DURING PLAN DEVELOPMENT. IN THE EVENT ACTUAL PHYSICAL CONDITIONS WARRANT ADDITIONAL TRAFFIC CONTROL DEVICES, THEY SHALL BE INSTALLED IN CONFORMANCE WITH THE M.U.T.C.D. PART 6 AS DIRECTED BY THE ENGINEER. COST SHALL BE PAID FOR UNDER THE APPROPRIATE PAY ITEM.
- 701 ALL BLACK ON ORANGE CONSTRUCTION SIGNS SHALL BE FABRICATED USING TYPES IV OR VIII FLUORESCENT ORANGE REFLECTIVE SHEETING MATERIAL FOR THE SIGN BACKGROUND.
- 702 DURING NON-WORKING HOURS NO EQUIPMENT OR MATERIAL SHALL BE PARKED OR STORED CLOSER THAN 30 FEET TO THE EDGE OF ANY ROADWAY CARRYING TRAFFIC. WHEN THIS IS NOT PRACTICAL, IT SHALL BE PLACED IN AN AREA DESIGNATED BY THE ENGINEER AND DELINEATED BY REFLECTORIZED DRUMS. THIS INCLUDES STORAGE OF TRAFFIC CONTROL DEVICES SUCH AS TRAILER MOUNTED OR OTHER TEMPORARY SIGNS, BARRICADES, DRUMS, ETC., WHICH ARE NOT IN USE DURING NON-WORKING HOURS. TO BE FURNISHED BY THE CONTRACTOR WITHOUT COST TO THE ALDOT. (SEE SKETCH ON SHEET \_06\_)
- 703 WHERE THE LOCATION OF A REQUIRED SIGN FALLS IN A DRIVEWAY, SIDEWALK, BRIDGE, ETC., OR WHERE THE VISIBILITY OF A SIGN IS LIMITED TO THE TRAVELING PUBLIC, THE LOCATION SHALL BE ADJUSTED AS DIRECTED BY THE ENGINEER.
- 704 THE CONTRACTOR IS TO REMOVE, RELOCATE OR COVER DURING CONSTRUCTION AND THEN RESET OR UNCOVER UPON COMPLETION OF A PARTICULAR SECTION ANY CONFLICTING IN-PLACE ROADWAY SIGNS AND DELINEATORS, AS DIRECTED BY THE ENGINEER. SIGNS REQUIRING REMOVAL SHALL BE STOCKPILED AS DIRECTED BY THE ENGINEER AND SHALL BECOME PROPERTY OF THE ALDOT. COST SHALL BE A SUBSIDIARY OBLIGATION OF ITEM 740B.
- 705 DURING ALL PHASES OF WORK, NON-APPLICABLE PAVEMENT STRIPING OR MARKINGS SHALL BE REMOVED AND APPROPRIATE PAVEMENT STRIPING OR MARKINGS SHALL BE PLACED AS EXPEDITIOUSLY AS PRACTICAL, BUT IN ALL CASES SHALL BE IN PLACE BY NIGHTFALL ON ANY ROADWAY CARRYING TRAFFIC, EXCEPT ON SHORT TERM OPERATIONS WHERE IT IS DETERMINED BY THE ENGINEER, THAT SUCH REMOVAL AND REPLACEMENT IS MORE HAZARDOUS THAN LEAVING EXISTING MARKINGS IN PLACE. COST OF ANY REMOVAL SHALL BE PAID FOR UNDER ITEM 701D OR SHALL BE A SUBSIDIARY OBLIGATION OF ITEM 701C.
- 706 OMITTED
- 707 THE CONTRACTOR SHALL PLACE ALL ADVANCE WARNING SIGNS BEFORE PROCEEDING WITH HIS WORK. SIGNS SHALL BE PLACED IN ORDER, IN THE DIRECTION OF TRAFFIC AND REMOVED IN REVERSE ORDER.

- 708 ALL VEHICLES, EQUIPMENT, PERSONNEL (EXCEPT FLAGGERS), AND THEIR ACTIVITIES, ARE RESTRICTED AT ALL TIMES TO ONE SIDE OF THE PAVEMENT UNLESS OTHERWISE AUTHORIZED BY THE ENGINEER.
- 709 THE CONTRACTOR SHALL MAINTAIN AT LEAST ONE ACCESS TO BUSINESSES AND RESIDENCES DURING ALL PHASES OF CONSTRUCTION.
- 710 CONSTRUCTION SIGNS MOUNTED ON TEMPORARY SUPPORTS SHALL BE MOUNTED AT A MINIMUM HEIGHT OF 5 FEET.
- 711 FLAGGERS SHALL BE PROPERLY ATTIRED, EQUIPPED WITH STAFF MOUNTED STOP/SLOW PADDLES IN SIGHT OF EACH OTHER, OR HAVE DIRECT COMMUNICATION AT ALL TIMES. FLAGGER STATION LOCATION MAY BE VARIED FROM THOSE SHOWN BASED ON ROADWAY ALIGNMENT AND CONDITIONS AT THE TIME OF THE LANE CLOSURE.
- 712 FLAGGERS ARE TO BE USED WHEN DIRECTED BY THE ENGINEER. SIGNS SHALL BE PLACED AT THE APPROPRIATE TIME, AND SHALL BE COVERED OR REMOVED WHEN FLAGGERS ARE NOT ON DUTY AND DURING NON-WORKING HOURS.
- 713 FOR MOVING OPERATIONS, THE TRAFFIC CONES MAY BE DELETED IF THE FLAGGERS ARE IN SIGHT OF EACH OTHER, OR IF A PILOT CAR IS USED ON A TWO LANE ROADWAY.
- 714 OMITTED
- 715 ALL CONTRACTOR'S EMPLOYEES' PERSONAL VEHICLES, AND CONTRACTOR'S EQUIPMENT NOT IN OPERATION, SHALL BE PARKED A MINIMUM OF THIRTY (30) FEET FROM THE TRAVELED WAY DURING WORKING HOURS, AS NOT TO CREATE A HAZARD.
- 716 THE TRAFFIC CONTROL PLAN IS NOT ALL INCLUSIVE. THE TCP PROVIDES SEVERAL DETAILED DRAWINGS INDICATING THE TRAFFIC CONTROL NECESSARY FOR THE DIFFERENT CONSTRUCTION ACTIVITIES ANTICIPATED FOR THIS PROJECT. THE CONTRACTOR SHALL SELECT THE DETAILED DRAWING THAT BEST FITS THE ACTIVITY TO BE PERFORMED.
- 717 OMITTED
- 718 REQUIRED TEMPORARY ROUTE MARKER ASSEMBLIES THAT ARE TO BE LOCATED IN THE VICINITY OF EXISTING ROUTE MARKERS SHOULD BE PLACED ALONG SIDE OF THOSE ALREADY IN PLACE. SOME EXISTING ROUTE MARKERS MAY HAVE TO BE COVERED OR REMOVED, AS DIRECTED BY THE ENGINEER. COST SHALL BE A SUBSIDIARY OBLIGATION OF ITEM 740B.
- 719 OMITTED
- 720 ALL TRAFFIC CONTROL DEVICES THAT ARE NOT APPLICABLE AT ANY SPECIFIC TIME SHALL BE COVERED OR REMOVED AS DIRECTED BY THE ENGINEER.

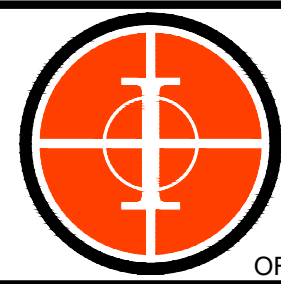
- 721 OMITTED
- 722 OMITTED
- 723 THE CONTRACTOR SHALL MAKE PROVISIONS FOR THE SAFETY OF PEDESTRIAN TRAFFIC CROSSING THE WORK ZONES DURING CONSTRUCTION.
- 724 OMITTED
- 725 ALL SIGNS SHALL BE POST-MOUNTED IF THE WORK PERIOD EXCEEDS FOUR DAYS, EXCEPT FOR THOSE SIGNS WHICH ARE MOUNTED ON BARRICADES. FOR REPEATED DAY OPERATIONS, SIGNS MAY BE MOUNTED ON TEMPORARY SUPPORTS AND REMOVED AT THE COMPLETION OF THE DAY'S OPERATION.
- 726 OMITTED
- 727 DURING THE WIDENING OR RESURFACING OF ANY ROADWAY CARRYING TRAFFIC, THE CONTRACTOR SHALL ADVISE THE MOTORISTS OF ANY EDGE OF PAVEMENT DROP-OFFS 3 INCHES OR GREATER BY PLACING SHOULDER DROP-OFF SIGNS EVERY 1/2 MILE BEGINNING PRIOR TO THE WIDENING OR RESURFACING. REQUIRED SHOULDER WORK TO ELIMINATE THE DROP-OFFS SHALL BE PURSUED IN AN EXPEDITIOUS MANNER FOLLOWING THE WIDENING AND/OR RESURFACING.
- 728 A DIFFERENCE IN ELEVATION OF APPROXIMATELY 2 INCHES OR LESS AT THE CENTERLINE MAY BE ALLOWED DURING NON-WORKING HOURS WITHOUT ADDITIONAL TRAFFIC CONTROL. SPECIAL CONDITIONS MAY EXIST WHERE PROTECTION SHOULD BE PROVIDED WHERE THE DIFFERENCE IS 2 INCHES OR LESS.
- 729 SIGNS ON TEMPORARY SUPPORTS ARE TO BE REMOVED OR COVERED WHEN NO WORK IS BEING PERFORMED OR AT THE COMPLETION OF THE DAY'S OPERATION.
- 730 OMITTED
- 731 OMITTED
- 732 CHANNELIZING DRUMS SHOULD BE PLACED ON 10 FOOT INTERVALS IN RADII.
- 733 CHANNELIZING DRUMS PLACED TO PROTECT COMPLETED WORK NOT OPEN TO TRAFFIC SHOULD BE SPACED AT 50 FOOT INTERVALS.
- 734 CHANNELIZING DRUMS PLACED IN THE EXCAVATED AREA AHEAD OF PAVING OPERATIONS SHOULD BE SPACED AT 50 FOOT INTERVALS.
- 735 CHANNELIZING DRUMS PLACED ON PAVEMENT DURING WORKING HOURS SHALL BE SHIFTED TO THE EDGE OF SHOULDER DURING NON-WORKING HOURS AND DURING PEAK PERIODS.

- 736 CHANNELIZING DRUMS SHOULD BE PLACED ON 25 FOOT INTERVALS THROUGHOUT ALL TAPERS.
- 737 CHANNELIZING DEVICES ARE TO BE EXTENDED TO A POINT WHERE THEY ARE VISIBLE TO APPROACHING TRAFFIC.
- 738 OMITTED
- 739 THE QUANTITIES SHOWN IN THE TRAFFIC CONTROL SUMMARY BOX ARE CONSIDERED TO BE THE MINIMUM REQUIREMENT FOR HANDLING TRAFFIC AT ANY GIVEN TIME DURING CONSTRUCTION.
- 740 LIGHTWEIGHT TYPE B WARNING LIGHTS (WEIGHING 3.3 POUNDS OR LESS) WITH DETACHABLE HEADS MAY BE USED ON DRUMS IN SPECIAL SITUATIONS AS SHOWN ON THE PLANS. TYPE B WARNING LIGHTS WITH DETACHABLE HEADS USED ON BARRICADES SHALL BE LIGHTWEIGHT (WEIGHING 3.3 POUNDS OR LESS). ANY HEAVYWEIGHT WARNING LIGHTS ON BARRICADES MUST BE CERTIFIED BY THE VENDOR AS TO CRASH WORTHINESS OF THE BARRICADE AND WARNING LIGHT COMBINATION.
- 741 FOR DIVIDED ROADWAYS, THE REQUIRED ADVANCE WARNING SIGNS SHALL BE POSTED ON BOTH THE RIGHT AND LEFT SIDE OF THE ROADWAY.
- 742 THE CONTRACTOR SHALL CLOSE THE LANE ADJACENT TO THE WORK AREA ANYTIME WORK OUTSIDE THE EXISTING TRAVEL LANES ENCLOSES WITHIN 2 FEET OF THE EXISTING TRAVEL LANES.
- 743 OMITTED
- 744 THE TRANSITION TAPER LENGTH (L) IS SHOWN IN TABLE 6C-4, AND THE BUFFER LENGTH IS SHOWN IN TABLE 6C-2 OF THE MUTCD, PART 6, 2009 EDITION.
- 745 OMITTED
- 746 UNEVEN LANES SIGNS SHALL BE COVERED OR REMOVED WHEN NO UNEVEN PAVEMENT CONDITIONS EXIST.
- 747 MOVING OPERATIONS SHALL BE CONFINED TO ONE LANE IN THE DIRECTION OF TRAFFIC.
- 748 R16-3 AND R16-3A SIGNS SHALL BE REQUIRED FOR EVERY PROJECT ON STATE ROUTES AND INTERSTATE HIGHWAYS. THEY SHALL BE POSTED AT THE BEGINNING AND END OF THE PROJECT. AN R2-1 SIGN SHALL ALWAYS BE REQUIRED FOLLOWING AN R16-3 SIGN. ADDITIONAL R16-3 SIGNS SHALL BE POSTED AT MAXIMUM THREE MILE INTERVALS THROUGHOUT THE PROJECT LIMITS. ADDITIONAL R16-3 SIGNS SHALL BE REQUIRED WITH A W3-5B SIGN AND R2-1 SIGN WHENEVER A REDUCTION IN SPEED IS REQUIRED.

- 749 WHEN A CONSTRUCTION WORK ZONE SPEED LIMIT REDUCTION IS REQUIRED, THE CONTRACTOR SHALL COVER OR REMOVE THE R2-1 (REGULATORY SPEED SIGNS) AND THE W3-5B (REDUCED SPEED AHEAD) SIGNS AT THE END OF THE WORK DAY UNLESS OTHERWISE DIRECTED BY THE ENGINEER.
- 750 DURING REPLACEMENT OF GUARDRAIL AND/OR GUARDRAIL END ANCHORS, A REFLECTORIZED DRUM WITH A LIGHTWEIGHT TYPE B WARNING LIGHT (WEIGHING 3.3 POUNDS OR LESS) SHALL BE PLACED BEFORE THE END OF ANY EXPOSED GUARDRAIL AT NIGHT WHERE THE GUARDRAIL END ANCHOR CANNOT BE REPLACED IN ONE DAY'S TIME.
- 751 CONSTRUCTION SIGNS MOUNTED ON A SINGULAR OR DUAL SQUARE TUBULAR OR U-CHANNEL POST SHALL BE INSTALLED AS SHOWN ON SPECIAL DRAWING NOS. IHS-710-21 AND IHS-710-23. SINGLE OR DUAL 4 X 4 WOOD POSTS ARE CONSIDERED BREAKAWAY.
- 752 THE CONTRACTOR AND THE CONSTRUCTION ENGINEER SHALL DISCUSS AND PLAN FOR THE HANDLING OF TRAFFIC FOR ALL HOLIDAYS BEFORE ANY WORK BEGINS. UNLESS OTHERWISE PRE-APPROVED BY THE REGION ENGINEER, THE FOLLOWING SHALL HOLD:  
  
 THE CONTRACTOR SHALL NOT HAVE A LANE CLOSURE DURING THE FOLLOWING PERIODS UNLESS OTHERWISE DIRECTED BY THE ENGINEER OR ALDOT:  
  
 FOR CHRISTMAS AND NEW YEARS DAY:  
 FROM 11:59 PM DECEMBER 23 THROUGH 11:59 PM JANUARY 2.  
  
 FOR NATIONAL MEMORIAL DAY AND LABOR DAY:  
 FROM 12:00 NOON THE FRIDAY BEFORE THE HOLIDAY THROUGH 11:59 PM THE DAY OF THE HOLIDAY.  
  
 FOR INDEPENDENCE DAY (THE 4TH OF JULY):  
 FROM 12:00 NOON THE DAY BEFORE THE HOLIDAY THROUGH 11:59 PM THE DAY OF THE HOLIDAY.  
  
 FOR THANKSGIVING DAY:  
 FROM 12:00 NOON THE WEDNESDAY BEFORE THANKSGIVING DAY THROUGH 11:59 PM THE SUNDAY FOLLOWING THANKSGIVING DAY.  
  
 ANY OTHER STATE HOLIDAYS WILL BE HANDLED AS APPROVED BY THE PROJECT ENGINEER.  
  
 THE CONTRACTOR SHALL COORDINATE WITH THE ENGINEER AND LOCAL GOVERNMENT ON TRAFFIC AND/OR WORK RESTRICTIONS FOR LOCAL HOLIDAYS OR EVENTS NOT LISTED ON ALDOT'S LIST OF OFFICIAL STATE HOLIDAYS.

NO.	DATE	REVISIONS	CHKD.	APPR.	NO.	DATE	REVISIONS	CHKD.	APPR.
△	06/30/20	TRAFFIC CONTROL NOTES	SMW	SMW					

DRAWN MGH  
 CHECKED SWN  
 APPROVED

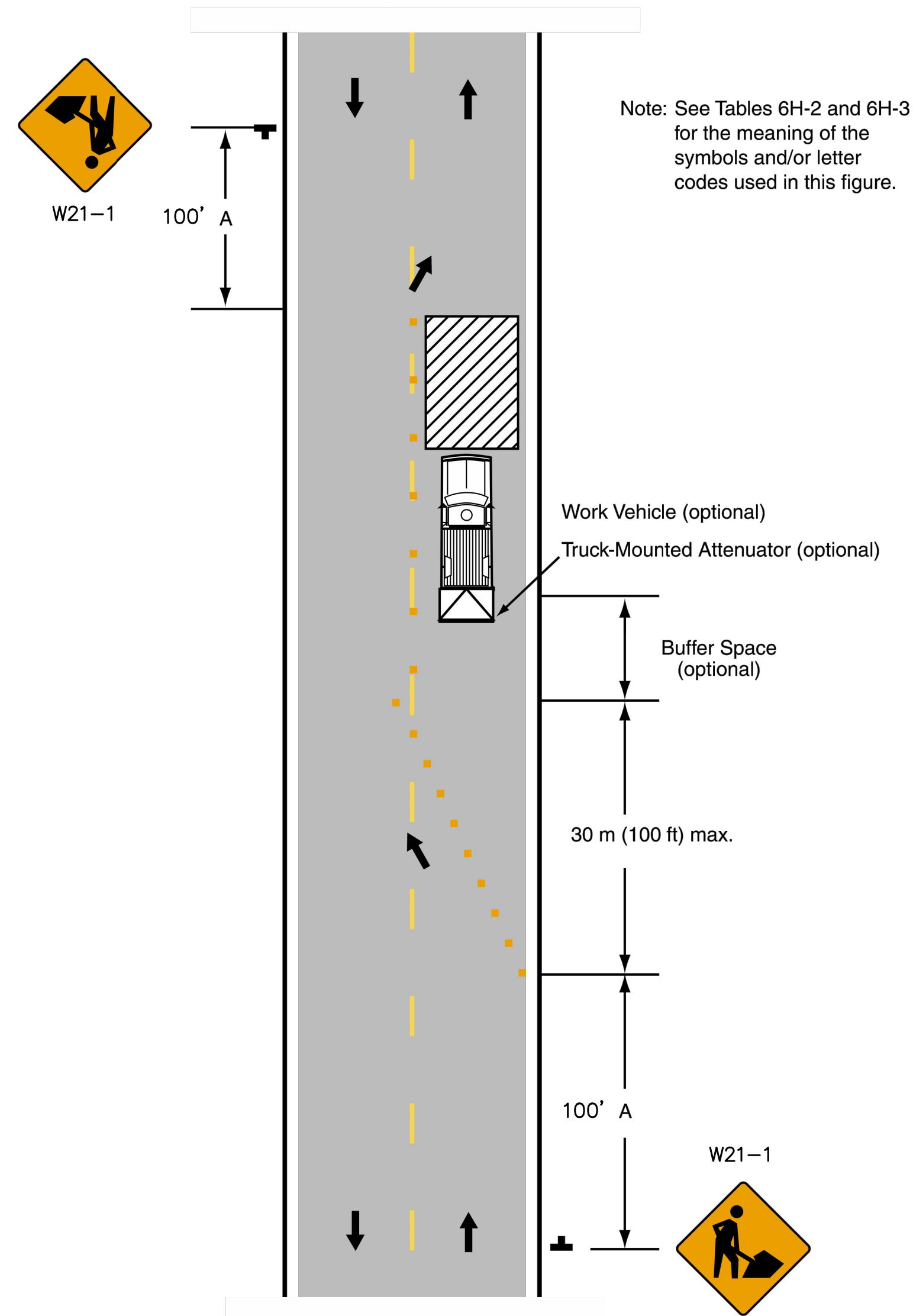


**INSITE ENGINEERING**  
 HOOPER | TUSCALOOSA  
 5800 FELDSPAR WAY  
 HOOPER, ALABAMA 35244  
 OFFICE (205) 733-9696 FAX (205) 733-9697

STANDARD DETAIL SHEET  
 GENERAL TRAFFIC CONTROL PLAN  
 NOTES

REV. ①  
 SDS-TC1

Figure 6H-18. Lane Closure on Minor Street (TA-18)



Typical Application 18

Notes for Figure 6H-18—Typical Application 18

Lane Closure on Minor Street

Standard:

1. This temporary traffic control shall be used only for low-volume, low-speed facilities.

Option:

2. Where the work space is short, where drivers can see the roadway beyond, and where volume is low, motor vehicle traffic may be self-regulating.

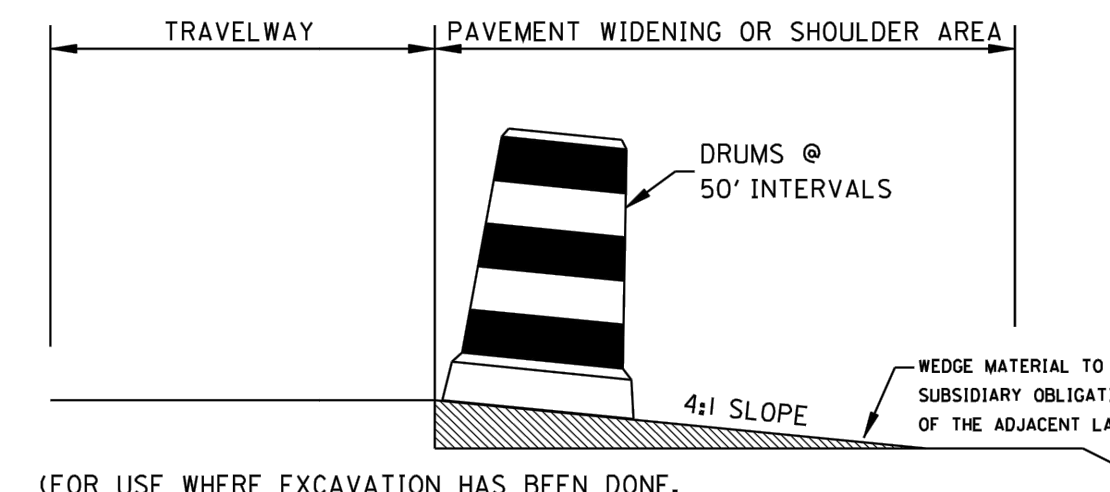
Standard:

3. Where motor vehicle traffic cannot effectively self-regulate, one or two flaggers shall be used as illustrated in Figure 6H-10.

Option:

4. Flashing warning lights and/or flags may be used to call attention to the advance warning signs.

5. A truck-mounted attenuator may be used on the work vehicle and the shadow vehicle.

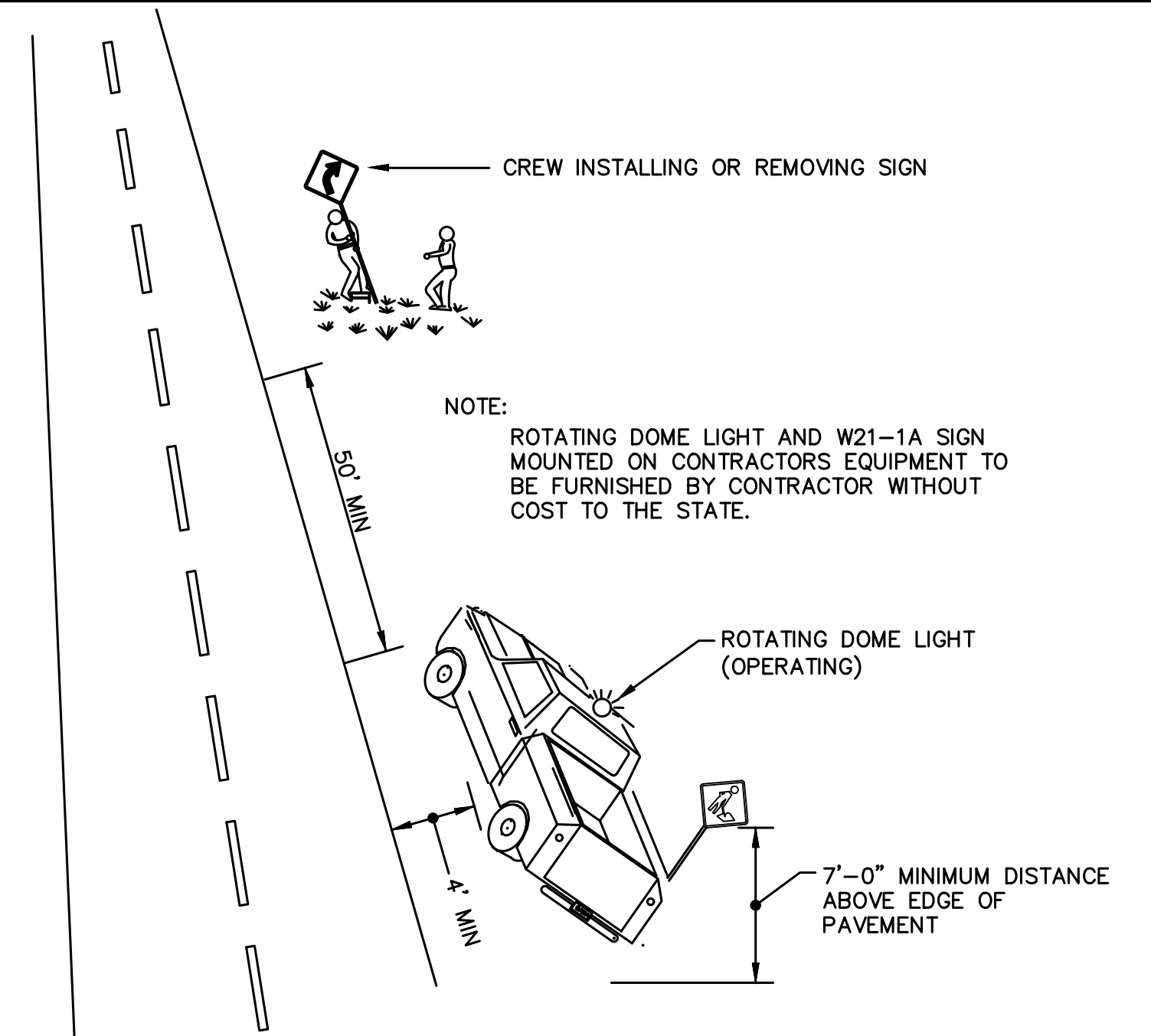


(FOR USE WHERE EXCAVATION HAS BEEN DONE, BUT WIDENING IS NOT COMPLETED BY NIGHTFALL OR WHERE PAVEMENT DROP OFF OF RESURFACING PROJECTS IS 3' OR MORE AT NIGHTFALL)

TYPICAL FOR DROP-OFF AT EDGE OF PAVEMENT

NOTE: THE CONTRACTOR IS TO CONSTRUCT A WEDGE OF UNCLASSIFIED EXCAVATION OR CRUSHED AGGREGATE BASE. THE COST OF PLACING AND REMOVAL SHALL BE A SUBSIDIARY OBLIGATION OF THE ADJACENT LAYER.

CHANNELIZING DRUMS SHALL BE PLACED AT 50 FT INTERVALS.



NOTE: ROTATING DOME LIGHT AND W21-1A SIGN MOUNTED ON CONTRACTORS EQUIPMENT TO BE FURNISHED BY CONTRACTOR WITHOUT COST TO THE STATE.

TYPICAL METHOD FOR INSTALLING OR REMOVING CONSTRUCTION SIGNS

NO.	DATE	REVISIONS	CHKD.	APPR.	NO.	DATE	REVISIONS	CHKD.	APPR.
1	04/08/22	TRAFFIC CONTROL DETAILS	SWN	SWN					

DRAWN	MGH
CHECKED	SWN
APPROVED	



**INSITE ENGINEERING**  
HOOVER | TUSCALOOSA  
5800 FELDSPAR WAY  
HOOVER, ALABAMA 35244  
OFFICE (205) 733-9696 FAX (205) 733-9697

STANDARD DETAIL SHEET TRAFFIC CONTROL PLAN DETAILS	REV. ① SDS-TC2
---	-------------------

PROJECT MANUAL FOR

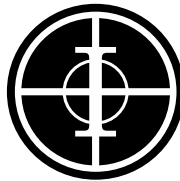
# MUNICIPAL ROAD IMPROVEMENTS – RE-PAVING IMPROVEMENTS (2022 REBUILD ALABAMA)

INSITE PROJECT NO. 242-R2

WADLEY, ALABAMA

AUGUST 2022

PREPARED BY:



**INSITE**  
**ENGINEERING**

InSite Engineering, LLC  
5800 FELDSPAR WAY  
HOOVER, ALABAMA 35244  
PHONE: 205-733-9696  
FAX: 205-733-9697



Copyright 2022

8/5/2022



**This page intentionally left blank.**

Division	Section Title	Pages
<b>DIVISION 0 PROCUREMENT AND CONTRACTING REQUIREMENTS</b>		
001116	..... INVITATION TO BID .....	2
002113	..... INSTRUCTIONS TO BIDDERS .....	8
004100	..... BID SECURITY FORMS .....	2
004100.01	.. EJCDC C-430 BID BOND (PENAL SUM FORM) .....	6
004143	..... BID FORM – UNIT PRICE (SINGLE-PRIME CONTRACT) .....	6
004300	..... PROCUREMENT FORM SUPPLEMENTS .....	4
005213.12	.. AGREEMENT FORM – EJCDC STIPULATED SUM (SINGLE-PRIME CONTRACT) .....	2
005213.13	.. EJCDC C-520 SUGGESTED FORM OF AGREEMENT BETWEEN OWNER AND CONTRACTOR FOR CONSTRUCTION CONTRACT (STIPULATED PRICE) .....	8
006000	..... PROJECT FORMS .....	2
006100	..... EJCDC C-610 PERFORMANCE BOND .....	8
006150	..... EJCDC C-615(A) PAYMENT BOND .....	8
007213.12	.. GENERAL CONDITIONS – EJCDC STIPULATED SUM (SINGLE-PRIME CONTRACT) .....	2
	EJCDC C-700 STANDARD GENERAL CONDITIONS OF THE CONSTRUCTION CONTRACT .....	78
007314	..... SUPPLEMENTARY CONDITIONS - EJCDC .....	16
010260	..... MEASUREMENT AND PAYMENT .....	2
<b>DIVISION 1 - GENERAL REQUIREMENTS</b>		
011000	..... SUMMARY .....	4
012000	..... PRICE AND PAYMENT PROCEDURES .....	4
012000.1	.... EJCDC C-620 CONTRACTOR’S APPLICATION FOR PAYMENT .....	12
012000.2	.... EJCDC C-940 WORK CHANGE DIRECTIVE .....	6
012000.3	.... EJCDC C-941 CHANGE ORDER .....	4
012000.4	.... EJCDC C-942 FIELD ORDER .....	4
012000.5	.... REQUEST FOR INFORMATION FORM .....	2
012500	..... SUBSTITUTION PROCEDURES .....	2
012500.1	.... SUBSTITUTION REQUEST FORM .....	4
013000	..... ADMINISTRATIVE REQUIREMENTS .....	4
013216	..... CONSTRUCTION PROGRESS SCHEDULE .....	2
013300	..... SUBMITTAL PROCEDURES .....	8
014000	..... QUALITY REQUIREMENTS .....	4
014200	..... REFERENCES .....	18
014500	..... UNCOVERING AND CORRECTION OF WORK .....	2
015000	..... TEMPORARY FACILITIES AND CONTROLS .....	8
016000	..... PRODUCT REQUIREMENTS .....	2
017000	..... EXECUTION AND CLOSEOUT REQUIREMENTS .....	14
017310	..... CUTTING AND PATCHING .....	4

017320 .....	SELECTIVE DEMOLITION.....	8
017419 .....	CONSTRUCTION WASTE MANAGEMENT AND DISPOSAL .....	4
017810 .....	PROJECT RECORD DOCUMENTS .....	4
033000 .....	CAST-IN-PLACE CONCRETE .....	12
311000 .....	SITE CLEARING.....	4
312316 .....	EXCAVATION .....	4
312316.01 ..	UNCLASSIFIED EXCAVATION FOR UTILITIES .....	8
312319 .....	DEWATERING.....	4
312500 .....	EROSION AND SEDIMENTATION CONTROL.....	4

**DIVISION 32 – EXTERIOR IMPROVEMENTS**

321216 .....	ASPHALT PAVING .....	8
321313 .....	CONCRETE PAVING .....	12
329221 .....	LAWNS AND GRASSES .....	6

END OF TABLE OF CONTENTS

## SECTION 002113 - INSTRUCTIONS TO BIDDERS

### 1.1 BID SUBMISSION

- A. Bids signed and sealed, executed, and dated will be received by the Town of Wadley, Alabama, located at 265 Highland Circle, Wadley, Alabama 36276, until 10:00 A.M. local standard time on the 8<sup>th</sup> day of September, 2022.
- B. Bids submitted after the above time will be returned to Bidder unopened.
- C. Amendments to submitted Bids will be permitted when received in writing prior to Bid closing and when endorsed by the same party or parties who signed and sealed the Bid.
- D. Bidders may withdraw their Bid by written request before the above time, otherwise bids shall be good for 60 days.

### 1.2 INTENT

- A. Intent of this Bid request is to obtain an offer to perform Work to complete the installation of full depth asphalt replacement, storm sewer improvements, traffic controls, speed bumps, and all necessary appurtenances in Wadley, Alabama 36276, for a Stipulated Price contract, according to Contract Documents.

### 1.3 WORK IDENTIFIED IN CONTRACT DOCUMENTS

- A. Work of this proposed Contract comprises general construction and installation of full depth asphalt replacement, storm sewer improvements, traffic controls, storm sewer improvements, and all necessary appurtenances.
- B. Location: Wadley, Alabama, 36276.
- C. Land and Access:
  - 1. Contract Documents identify land, rights-of-way, and easements for the Work to be accessed and performed.

### 1.4 CONTRACT TIME

- A. Description:
  - 1. Owner requires the Project to be substantially complete in **90** calendar days after the date when the Contract Times commence to run as dated in the Notice to Proceed and completed and ready for final payment within **120** days after the date when the Contract Times commence to run as dated in the Notice to Proceed.
- B. Time is of Essence:

1. Owner requires Work of this Contract to be completed as soon as possible.

## 1.5 DEFINITIONS

- A. Bidding Documents: Contract Documents supplemented with Advertisement for Bids, Instructions to Bidders, Bid Form, Bid securities, and Technical Specifications.
- B. Contract Documents: As defined in EJCDC C-700 - Standard General Conditions of the Construction Contract, Article 1, including issued Addenda.
- C. Bid: Executed Bid Form and required attachments submitted according to Instructions to Bidders.
- D. Bid Price / Sum: Monetary sum identified by Bidder in Bid Form.

## 1.6 CONTRACT DOCUMENTS IDENTIFICATION

- A. Contract Documents are identified as Project No. 242-R2, as prepared by InSite Engineering, LLC located at 5800 Feldspar Way, Hoover, Alabama 35244, and as identified in Project Manual.

## 1.7 AVAILABILITY OF DOCUMENTS

- A. Bidding Documents may be obtained as indicated in Advertisement for Bids.
- B. Purpose:
  1. Bidding Documents are made available only for the purpose of obtaining offers for the Project.
  2. Their use does not grant a license for other purposes.

## 1.8 EXAMINATION OF DOCUMENTS

- A. Bidding Documents may be viewed at the office of InSite Engineering, LLC or Online within the plan library at [www.insiteengineering.org](http://www.insiteengineering.org).
- B. Completeness:
  1. Upon receipt of Bidding Documents, verify that documents are complete.
  2. Notify Engineer if documents are incomplete.
- C. Immediately notify Engineer upon finding discrepancies or omissions in Bidding Documents.

## 1.9 INQUIRIES AND ADDENDA

- A. Direct questions in writing to Tim Rylee, PE, at the office of the Engineer, at [tim@insiteengineering.org](mailto:tim@insiteengineering.org). It is the bidders responsibility to ensure the email is received.

- B. Verbal answers are not binding on any party.
- C. Submit questions not less than five days before date set for receipt of Bids.
- D. Addenda:
  - 1. Replies will be made by Addenda, which may be issued during Bidding period.
  - 2. Addenda will be sent to known Bidders and placed on the online plan library.
  - 3. Addenda become part of Contract Documents.
- E. Include resultant costs in Bid Price/Sum.

#### 1.10 PRODUCT SUBSTITUTIONS

- A. Where Bidding Documents stipulate particular products, substitution requests will be considered by Engineer up to 10 days before receipt of Bids.
- B. With each substitution request, provide sufficient information for Engineer to determine acceptability of proposed products.
- C. Comply with substitution request submittal requirements in Section 016000 - Product Requirements including use of Substitution Request Form.
- D. Approvals:
  - 1. When a request to substitute a product is made, Engineer may approve the substitution with Owners direction.
  - 2. Approved substitutions will be identified by Addenda.
- E. Changes in the Work:
  - 1. In submitting substitutions to specified products, Bidders shall include changes required in the Work and changes to Contract Time, Contract Sum, and Contract Price to accommodate such approved substitutions in their Bid.
  - 2. Later claims by the Bidder for an addition to the Contract Time or Contract Price because of changes in Work necessitated by use of substitutions will not be considered.
- F. With each substitution request, provide sufficient information for Engineer to determine acceptability of proposed products.
- G. Comply with substitution request submittal requirements in Section 016000 - Product Requirements including use of Substitution Request Form.
- H. Provide complete information on required revisions to other Work to accommodate each substitution, the value of additions to or reductions from the Bid Price, including revisions to other Work.
- I. Provide products as specified unless substitutions are submitted in this manner and subsequently accepted.

- J. Approval to submit substitution requests prior to submission of Bids is not required.

#### 1.11 SITE EXAMINATION

- A. Examine Project Site before submitting a Bid.
- B. Contact Engineer at following address and phone number to arrange date and time to visit Project Site:
  - 1. Address: 5800 Feldspar Way, Hoover, Alabama 35244.
  - 2. Telephone: 205-733-9696.

#### 1.12 PREBID MEETING

- A. A mandatory Pre-bid Meeting will not be held for this project.

#### 1.13 BIDDER QUALIFICATIONS

- A. To demonstrate qualification for performing the Work of this Contract, Bidders may be requested to submit written evidence of previous experience and proper license to perform work in State of Alabama.

#### 1.14 BIDDER PREQUALIFICATION

- A. Bidder prequalification for this project is not required.

#### 1.15 SUBCONTRACTORS

- A. Owner reserves right to reject a proposed Subcontractor for reasonable cause.

#### 1.16 SUBMISSION PROCEDURE

- A. Bidders shall be solely responsible for delivery of Bids in manner and time prescribed.
- B. Submit one copy of executed offer on provided Bid Forms, signed and sealed with required Bid Bond in a closed opaque envelope, and clearly identified with Bidder's name and address, Project name, General Contractors License Number, and Owner's name on outside.
- C. Improperly completed information, including irregularities in Bid bond, will be cause not to open Bid Form envelope and to declare Bid invalid or informal.
- D. An abstract summary of submitted Bids will be made available to all Bidders following Bid opening.

#### 1.17 BID INELIGIBILITY

- A. Bids that are unsigned, improperly signed or sealed, conditional, illegible, and obscure, or Bids that contain arithmetical errors, erasures, alterations, or irregularities, may be declared unacceptable at Owner's discretion.
- B. Bid Forms, Appendices, and enclosures that are improperly prepared may be declared unacceptable at Owner's discretion.
- C. Failure to provide security deposit, bonds, or insurance requirements will invalidate Bid at Owner's discretion.

#### 1.18 BID SECURITY

- A. Bids shall be accompanied by Bid security as follows:
  - 1. Bid bond in the amount of a maximum of \$10,000 or of a sum no less than 5 percent of Bid Sum.
- B. Endorse Bid bond in name of the Town of Wadley, Alabama. Signed and sealed by principal (Contractor) and surety.
- C. Bid securities will be returned after delivery to Owner of required performance and payment bonds by accepted Bidder.
- D. If accepted Bidder fails to execute the Agreement and indicated bonds within 15 days after Notice of Award, Notice of Award may be annulled and Bidder's Bid security will be forfeited.
- E. Include cost of Bid security in Bid Sum/Price
- F. After Bid has been accepted, Bid security will be returned to respective Bidders.
- G. If no contract is awarded, Bid security will be returned.

#### 1.19 PERFORMANCE ASSURANCE

- A. Accepted Bidder: Provide performance and payment bond as described in Document 007314 - Supplementary Conditions - EJCDC
- B. Include cost of performance assurance bonds in Bid Sum/Price. Separate payment will not be made.

#### 1.20 INSURANCE

- A. Provide an executed "Undertaking of Insurance" on Standard form provided by the insurance company, stating insurance company's intention to provide insurance to Bidder according to insurance requirements of Contract Documents.



#### 1.21 BID FORM REQUIREMENTS

- A. Complete requested information in Bid Form and Bid Form Supplements.
- B. Refer to Document 007314 - Supplementary Conditions - EJCDC for inclusion of taxes, and tax-exempt products.

#### 1.22 FEES FOR CHANGES IN THE WORK

- A. Include in Bid Form the overhead and profit fees on Bidder's own Work and Work by Subcontractors, applicable for changes in the Work, whether additions to or deductions from the Work on which Bid Sum/Price is based.
- B. Subcontract Work:
  - 1. Include in Bid Form the fees proposed for subcontract Work for changes, both additions and deductions, in the Work.

#### 1.23 BID FORM SIGNATURE

- A. Sign Bid Form as follows:
  - 1. Sole Proprietorship:
    - a. Signature of sole proprietor in presence of a witness who will also sign.
    - b. Include words "Sole Proprietor" under signature.
    - c. **[Affix seal.]**
  - 2. Partnership:
    - a. Signature of each partner in presence of a witness who will also sign.
    - b. Include word "Partner" under each signature.
    - c. **[Affix seal to each signature.]**
  - 3. Corporation:
    - a. Signature of at least one duly authorized signing officer.
    - b. Include officer's capacity under each signature.
    - c. Affix corporate seal.
    - d. If Bid is signed by officials other than president, secretary, or treasurer of company, submit a copy of bylaws or a resolution of board of directors authorizing them to do so, included with Bid Form in Bid envelope.
  - 4. Joint Venture:
    - a. Signature of each party of joint venture under their respective seals in a manner appropriate to such party as described above, similar to requirements for partnerships.

#### 1.24 ADDITIONAL BID INFORMATION

- A. Complete and submit with Bid, Document 004300 - Procurement Form Supplements.
  - 1. Appendix A - List of Subcontractors: Include names of all Subcontractors and portions of the Work each Subcontractor will perform.
  - 2. Appendix B - List of Unit Prices: Include list of Unit Prices specifically requested by Contract Documents.
  - 3. Appendix C - List of Alternates: Include cost variation to Bid Sum/Price applicable to Work described in Section 012000 - Price and Payment Procedures.
  - 4. Appendix D - List of Separate Prices: Include list of separate prices as specifically requested in Contract Documents.
  - 5. Appendix E - Cost Breakdown: Includes Bid sum/price segmented into portions as requested.
  - 6. Appendix F - List of Supplementary Mechanical Information.
  - 7. Appendix G - List of Supplementary Electrical Information.
  - 8. Appendix H - List of Equipment.
  - 9. Appendix I - List of Tax Rebate Items.

#### 1.25 SELECTION AND AWARD OF ALTERNATES

- A. Evaluation:
  - 1. Bids will be evaluated on base Bid Price or Base Plus any Alternates.

#### 1.26 BID OPENING

- A. Description:
  - 1. Bids will be opened publicly immediately after time for receipt of Bids.
  - 2. Bidders may be present.

#### 1.27 DURATION OF OFFER

- A. Bids shall remain open to acceptance and shall be irrevocable for a period of **60** days after Bid closing date.

#### 1.28 ACCEPTANCE OF OFFER

- A. Owner reserves right to waive irregularities and to accept or reject any or all offers.
- B. After acceptance by Owner, Engineer, on behalf of Owner, will issue to the accepted Bidder a written Notice of Award.
- C. Notwithstanding delay in the preparation and execution of the Agreement, accepted Bidder shall be prepared, upon written Notice to Proceed, to commence Work within 30 days following receipt of official written order of Owner to proceed, or on date stipulated in such order.

- D. Accepted Bidder shall assist and cooperate with Owner to prepare Agreement, and shall execute Agreement and return it to Owner within 15 days following its presentation.

END OF DOCUMENT 0021130

## SECTION 004100 – BID SECURITY FORMS

### 1.1 BID FORM SUPPLEMENT

- A. A completed bid bond form is required to be attached to the Bid Form.

### 1.2 BID BOND FORM

- A. EJCDC Document C-430, "Bid Bond," is the recommended form for a bid bond. A bid bond acceptable to Owner, or other bid security as described in the Instructions to Bidders, is required to be attached to the Bid Form as a supplement.
- B. A copy of the form is attached in these documents.

END OF SECTIONS 004100

**This page intentionally left blank.**

This document has important legal consequences; consultation with an attorney is encouraged with respect to its use or modification. This document should be adapted to the particular circumstances of the contemplated Project and the controlling Laws and Regulations.

## BID BOND (PENAL SUM FORM)

Prepared By



Endorsed By



Copyright© 2018

National Society of Professional Engineers  
1420 King Street, Alexandria, VA 22314-2794  
(703) 684-2882  
[www.nspe.org](http://www.nspe.org)

American Council of Engineering Companies  
1015 15th Street N.W., Washington, DC 20005  
(202) 347-7474  
[www.acec.org](http://www.acec.org)

American Society of Civil Engineers  
1801 Alexander Bell Drive, Reston, VA 20191-4400  
(800) 548-2723  
[www.asce.org](http://www.asce.org)

The copyright for this EJCDC document is owned jointly by the three sponsoring organizations listed above. The National Society of Professional Engineers is the Copyright Administrator for the EJCDC documents; please direct all inquiries regarding EJCDC copyrights to NSPE.

NOTE: EJCDC publications may be purchased at [www.ejcdc.org](http://www.ejcdc.org), or from any of the sponsoring organizations above.

# GUIDELINES FOR USE OF EJCDC® C-430, BID BOND (PENAL SUM FORM)

## 1.0 PURPOSE AND INTENDED USE OF THE DOCUMENT

The Bid Bond Form is intended to be used by a qualified surety to issue a bond that a Bidder (construction contractor) will submit with its Bid. The Bid Bond provides assurance that Bidder will enter into the construction contract with Owner if Bidder is awarded the contract. If Bidder refuses to accept the award of contract, and does not duly enter into the contract and provide any required performance and payment bonds, then under this Penal Sum Form the Bidder (or its surety) forfeits the penal sum of the bond. This allows Owner to recover the specified monetary amount regardless of the actual damages associated with the Bidder's failure to enter into the contract with the Owner.

The terms and conditions of the 2018 edition of C-430 are essentially identical to the previously published 2013 edition.

For additional information regarding C-430, see EJCDC® C-001, Commentary on the 2018 EJCDC Construction Documents (2018).

## 2.0 ORGANIZATION OF INFORMATION

All parties involved in a construction project benefit significantly from a standardized approach in the location of subject matter throughout the documents. Experience confirms the danger of addressing the same subject matter in more than one location; doing so frequently leads to confusion and unanticipated legal consequences. Careful attention should be given to the guidance provided in EJCDC® N-122/AIA® A521, Uniform Location of Subject Matter (2012 Edition) when preparing documents. EJCDC® N-122/AIA® A521 is available at no charge from the EJCDC website, [www.ejcdc.org](http://www.ejcdc.org), and from the websites of EJCDC's sponsoring organizations.

If CSI MasterFormat™ is used for organizing the Project Manual, consult CSI MasterFormat™ for the appropriate document number (e.g., under 00 11 00, Advertisements and Invitations), and accordingly number the document and its pages.

## 3.0 EDITING THIS DOCUMENT

- 3.1 It is intended that this document be edited before being furnished as a form to prospective Bidders, and for each actual issuance of a Bid Bond. Guidelines for editing include:
- A. Remove the cover pages which consist of the title pages and these Guidelines for Use.
  - B. Type in required information as indicated by brackets ([ ]). Bracketed text will usually provide instructions for what is to be inserted in place of the brackets. Delete brackets and change formatting to match existing text after project specific text has been added, e.g. change “[Project Name]” to “Peach Street Renovation” (without brackets or bold, or quotation marks).
  - C. Fill in blanks, if any. It will be more common for information to be inserted by user to be indicated by a prompt in brackets, as described in Paragraph B above, rather than by an underline-style blank.



#### **4.0 LICENSE AGREEMENT**

This document is subject to the terms and conditions of the **License Agreement, 2018 EJDC® Construction Series Documents**. A copy of the License Agreement was furnished at the time of purchase of this document, and is available for review at [www.ejcdc.org](http://www.ejcdc.org) and the websites of EJDC's sponsoring organizations.

## BID BOND (PENAL SUM FORM)

<b>Bidder</b> Name: Address <i>(principal place of business)</i> :	<b>Surety</b> Name: Address <i>(principal place of business)</i> :
<b>Owner</b> Name: <b>TOWN OF WADLEY, ALABAMA</b> Address <i>(principal place of business)</i> : <b>P.O. BOX 9, WADLEY, ALABAMA 36276</b>	<b>Bid</b> Project <i>(name and location)</i> : <b>MUNICIPAL ROAD IMPROVEMENTS – RE-PAVING IMPROVEMENTS (2022 REBUILD ALABAMA)</b>  Bid Due Date:
<b>Bond</b> Penal Sum: Date of Bond:	
Surety and Bidder, intending to be legally bound hereby, subject to the terms set forth in this Bid Bond, do each cause this Bid Bond to be duly executed by an authorized officer, agent, or representative.	
Bidder	Surety
_____ <i>(Full formal name of Bidder)</i>	_____ <i>(Full formal name of Surety) (corporate seal)</i>
By: _____ <i>(Signature)</i>	By: _____ <i>(Signature) (Attach Power of Attorney)</i>
Name: _____ <i>(Printed or typed)</i>	Name: _____ <i>(Printed or typed)</i>
Title: _____	Title: _____
Attest: _____ <i>(Signature)</i>	Attest: _____ <i>(Signature)</i>
Name: _____ <i>(Printed or typed)</i>	Name: _____ <i>(Printed or typed)</i>
Title: _____	Title: _____
Notes: (1) Note: Addresses are to be used for giving any required notice. (2) Provide execution by any additional parties, such as joint venturers, if necessary.	

1. Bidder and Surety, jointly and severally, bind themselves, their heirs, executors, administrators, successors, and assigns to pay to Owner upon default of Bidder the penal sum set forth on the face of this Bond. Payment of the penal sum is the extent of Bidder's and Surety's liability. Recovery of such penal sum under the terms of this Bond will be Owner's sole and exclusive remedy upon default of Bidder.
2. Default of Bidder occurs upon the failure of Bidder to deliver within the time required by the Bidding Documents (or any extension thereof agreed to in writing by Owner) the executed Agreement required by the Bidding Documents and any performance and payment bonds required by the Bidding Documents.
3. This obligation will be null and void if:
  - 3.1. Owner accepts Bidder's Bid and Bidder delivers within the time required by the Bidding Documents (or any extension thereof agreed to in writing by Owner) the executed Agreement required by the Bidding Documents and any performance and payment bonds required by the Bidding Documents, or
  - 3.2. All Bids are rejected by Owner, or
  - 3.3. Owner fails to issue a Notice of Award to Bidder within the time specified in the Bidding Documents (or any extension thereof agreed to in writing by Bidder and, if applicable, consented to by Surety when required by Paragraph 5 hereof).
4. Payment under this Bond will be due and payable upon default of Bidder and within 30 calendar days after receipt by Bidder and Surety of written notice of default from Owner, which notice will be given with reasonable promptness, identifying this Bond and the Project and including a statement of the amount due.
5. Surety waives notice of any and all defenses based on or arising out of any time extension to issue Notice of Award agreed to in writing by Owner and Bidder, provided that the total time for issuing Notice of Award including extensions does not in the aggregate exceed 120 days from the Bid due date without Surety's written consent.
6. No suit or action will be commenced under this Bond prior to 30 calendar days after the notice of default required in Paragraph 4 above is received by Bidder and Surety, and in no case later than one year after the Bid due date.
7. Any suit or action under this Bond will be commenced only in a court of competent jurisdiction located in the state in which the Project is located.
8. Notices required hereunder must be in writing and sent to Bidder and Surety at their respective addresses shown on the face of this Bond. Such notices may be sent by personal delivery, commercial courier, or by United States Postal Service registered or certified mail, return receipt requested, postage pre-paid, and will be deemed to be effective upon receipt by the party concerned.
9. Surety shall cause to be attached to this Bond a current and effective Power of Attorney evidencing the authority of the officer, agent, or representative who executed this Bond on behalf of Surety to execute, seal, and deliver such Bond and bind the Surety thereby.
10. This Bond is intended to conform to all applicable statutory requirements. Any applicable requirement of any applicable statute that has been omitted from this Bond will be deemed to be included herein as if set forth at length. If any provision of this Bond conflicts with any applicable statute, then the provision of said statute governs and the remainder of this Bond that is not in conflict therewith continues in full force and effect.
11. The term "Bid" as used herein includes a Bid, offer, or proposal as applicable.

SECTION 004143 - BID FORM - UNIT PRICE (SINGLE-PRIME CONTRACT)

1.1 BID INFORMATION

- A. To: Town of Wadley, Alabama
- B. Project Name: Municipal Road Improvements – Re-Paving Improvements (2022 Rebuild Alabama)
- C. Project No.: 242-R2.
- D. Date: August 8, 2022
- E. Submitted by:
  - 1. Name: \_\_\_\_\_
  - 2. Address: \_\_\_\_\_

1.2 OFFER

- A. Having examined the Place of the Work and all matters referred to in the Instructions to Bidders and the Contract Documents prepared by the InSite Engineering, LLC for the above-referenced Project, we, the undersigned, hereby offer to enter into a Contract to perform the Work for the Unit Prices listed in this Bid Form in lawful money of the United States of America.
- B. We have included the Bid security as required by the Instructions to Bidders.
- C. All applicable federal, state, and local taxes are included in the Unit Prices.
- D. All Allowances described in Section 012000 - Price and Payment Procedures are included in the Unit Prices.

1.3 ACCEPTANCE

- A. This offer shall be open to acceptance and is irrevocable for 60 days from the Bid closing date.
- B. The Owner will accept Base Bid with or without Alternate Bid.
- C. If this Bid is accepted by the Owner within the time period stated above, we will:
  - 1. Execute the Agreement within 15 days of receipt of Notice of Award.
  - 2. Furnish the required bonds within 15 days of receipt of Notice of Award.
  - 3. Commence Work within 30 days after written Notice to Proceed.
- D. If this Bid is accepted within the indicated time, and we fail to commence the Work or we fail to provide the required bonds, the Bid security shall be forfeited as damages to the Owner by reason

of our failure, limited in amount to the lesser of the face value of the Bid security or the difference between this Bid and the Bid upon which a Contract is signed.

- E. In the event our Bid is not accepted within the time stated above, the required Bid security will be returned to the undersigned, according to the provisions of the Instructions to Bidders, unless a mutually satisfactory arrangement is made for its retention and validity for an extended period of time.

#### 1.4 CONTRACT TIME

- A. If this Bid is accepted, we will:

1. Substantially complete the Work in **90** calendar days after the date when the Contract Times commence to run as dated in the Notice to Proceed and completed and ready for final payment within **120** days after the date when the Contract Times commence to run as dated in the Notice to Proceed.

#### 1.5 UNIT PRICES

- A. Following are Unit Prices for specific portions of the Work as listed:

##### BASE BID

Item	Item No. (ALDOT)	Description	Qty	Units	Unit Price	Total
1	408A-052	Planing (Milling) Existing Pavement (Approximate 0-2.00" Thickness)	28,000	SY		
2	405A-000	Tack Coat (0.06-0.012 Gal/SY for Asphalt Cement)	1,900	GAL		
3	424A-340	Paving: Placement of Superpave Bituminous Concrete Wearing Surface Layer, ½", Maximum Aggregate Size Mix, ESAL, Range A/B (165#/SY)	29,250	SY		
4	703A-002	Traffic Control Marking (White Stop Line- 24" Wide Class 2 Thermoplastic Material Type A – Reflective)	250	SF		
5	600A-000	Mobilization	1	LS		
6	740A-000	Traffic Control	1	LS		
7	530-000	Sta. 21+65 +/-, Crossing #1 (Cooledge Rd., #4), Installaion of New 8' High Wing Walls & Apron Upstream Side	1	LS		
8	530-000	Sta. 14+12 +/-, Crossing #2 (Cooledge Rd., #1), Installaion of New Headwall Upstream Side	1	LS		

9	206-000	Removal and Replacement of Speed Bumps (10 in total)	1	LS		
10	206-000	Removal of Asphalt (North Side), Plantation Drive (100' and 300' sections)	1	LS		
11	301B-002	Crushed Stone Aggregate Base Course, Type A, Plant Mixed, Plantation Drive	190	CY		
12	424B-636	Bituminous Concrete Binder Layer, Mix 3 (Approx. 220#/SY), Plantation Drive	550	SY		

**\*THE PROJECT BUDGET IS \$250,000. THE PROJECT SCOPE AND QUANTITIES WILL BE ADJUSTED TO STAY IN BUDGET.\***

## 1.6 SCHEDULE OF PAY ITEMS

### A. Planing (Milling) Existing Pavement (Bid Item No. 1)

1. Basis of Measurement: Square Yard
2. Basis of Payment: Such payment shall be full compensation for the milling of existing pavement, proper disposal, including all other work necessary for and incidental to completion of the work. Complete these items in accordance with Federal, Local, and State laws and requirements.

### B. Tack Coat (Bid Item No. 2)

1. Basis of Measurement: Gallon
2. Basis of Payment: Such payment shall be full compensation for the furnishing, installing and maintenance of the tack coating, etc. including final finishings and all other work necessary for and incidental to completion of the work. Complete these items in accordance with Federal, Local, and State laws and requirements.

### C. Paving (Bid Item No. 3)

1. Basis of Measurement: Square Yard
2. Basis of Payment: Such payment shall be full compensation for the installation of paving at required thickness as outlined in the bid documents, that is placed, patched, or repaired, including all materials, labor, testing, etc. and all other work necessary for and incidental to completion of the work. Complete these items in accordance with Federal, Local, and State laws and requirements.

### D. Traffic Stripe (Bid Item No. 4)

1. Basis of Measurement: Cubic Yard
2. Basis of Payment: Such payment shall be full compensation for the furnishing, installing, and maintenance of the traffic striping, etc. including final finishings and all other work necessary for and incidental to completion of the work. Complete these items in accordance with Federal, Local, and State laws and requirements.

### E. Mobilization (Bid Item No. 5)

1. Basis of Measurement: Lump Sum
2. Basis of Payment: Such payment shall constitute full compensation for the performance of all work items necessary for and incidental to completion of the work and for the furnishing of all labor, tools, equipment, and incidentals necessary and appurtenant to the completion of these items including, but not necessarily limited to mobilization.

**F. Traffic Control (Bid Item No. 6)**

1. Basis of Measurement: Lump Sum
2. Basis of Payment: Such payment shall be full compensation for providing all labor, materials, equipment, and tools required to perform traffic control using barricades, signs, illumination, watchmen, flagmen, etc. along existing roadways located within the project site as necessary to perform the removal and installation of asphalt, including all other work necessary for and incidental to completion of the work.

**G. Crossings (Bid Items No. 7 and No. 8)**

1. Basis of Measurement: Lump Sum
2. Basis of Payment: Such payment shall constitute full compensation for the furnishing and installing high wingwalls and aprons and all necessary appurtenances, accessories, tests, and backfill and disposal of the excavated materials in the manner herein provided; and for the furnishing of all labor, tools, equipment, and incidentals necessary and appurtenant to the completion of the work.

**H. Speed Bumps - Removal and Replacement (Bid Item No. 9)**

1. Basis of Measurement: Lump Sum
2. Basis of Payment: Such payment shall constitute full compensation for the furnishing, removal, and installation of all materials and work items necessary for and incidental to completion of the work and for the furnishing of all labor, tools, equipment, and incidentals necessary and appurtenant to the completion of these items including, but not necessarily limited to removal, replacement, maintenance of speed bumps, etc.

**I. Asphalt Removal (Bid Item No. 10)**

1. Basis of Measurement: Lump Sum
2. Basis of Payment: Such payment shall constitute full compensation for the removal of any asphalt necessary for and incidental to completion of the work and for the furnishing of all labor, tools, equipment, and incidentals necessary and appurtenant to the completion of these items including, but not necessarily limited to excavation, demolition, removal of asphalt, etc.

**J. Crushed Stone Aggregate Base (Bid Item No. 11)**

1. Basis of Measurement: Cubic Yard
2. Basis of Payment: Such payment shall be full compensation for the furnishing and installing of crushed stone aggregate base at the required thickness, all materials, labor,

testing, etc. and all other work necessary for and incidental to completion of the work. Complete these items in accordance with Federal, Local, and State laws and requirements.

**K. Bituminous Concrete Binder Layer (Bid Item No. 12)**

1. Basis of Measurement: Square Yard
2. Basis of Payment: Such payment shall be full compensation for the furnishing and installing of bituminous concrete binder layer at required thickness, all materials, labor, testing, etc. and all other work necessary for and incidental to completion of the work. Complete these items in accordance with Federal, Local, and State laws and requirements.

1.7 ADDENDA

- A. Following Addenda have been received, and the modifications to the Bid Documents noted below have been considered and all costs are included in the Bid Sum/Price
1. Addendum No. ...., dated .....
  2. Addendum No. ...., dated .....
  3. Other: \_\_\_\_\_, dated .....

1.8 APPENDICES

- A. Following documents are attached to and made a condition of the Bid:
1. Bid security in amount of \_\_\_\_\_
  2. Bidder's qualifications statement and supporting data.
  3. Document 004300 - Procurement Form Supplements, including all items required by Instructions to Bidders:

1.9 BID FORM SIGNATURES

- A. Full Name of Bidder: .....
- B. Hereunto affixed in the presence of .....
- C. Authorized Signing Officer and Title: .....
- D. [Seal: .....]
- E. Address for giving Notice: .....

END OF DOCUMENT 004143



**This page intentionally left blank.**

SECTION 004300 - PROCUREMENT FORM SUPPLEMENTS

1.1 PROJECT INFORMATION

- A. To: Town of Wadley, Alabama
- B. Project Name: Municipal Road Improvements – Re-Paving Improvements (2022 Rebuild Alabama)
- C. Project No.: 242-R2
- D. Date: .....
- E. Submitted by: .....
- F. (Full name and address): .....
- G. According to Document 002113 - Instructions to Bidders] and Document 004143 - Bid Form - Unit Price (Single-Prime Contract), we include the Appendices to Bid Form Supplements listed below.
  - 1. The information provided shall be considered an integral part of the Bid Form.
  - 2. Following Appendices are attached to this Document:
    - a. Appendix A - List of Subcontractors: Include names of all Subcontractors and portions of the Work each Subcontractor will perform.
    - b. Appendix B - List of Unit Prices: Include list of Unit Prices specifically requested by Contract Documents.
    - c. Appendix C - List of Alternates: Include cost variation to Bid Sum/Price applicable to the Work as described in Section 012000 - Price and Payment Procedures.
    - d. Appendix D - List of Separate Prices: Include list of separate prices as specifically requested in Contract Documents.
    - e. Appendix E - Cost Breakdown: Includes Bid Sum/Price segmented into portions as requested.
    - f. Appendix F - List of Supplementary Mechanical Information. If Applicable.
    - g. Appendix G - List of Supplementary Electrical Information. If Applicable.
    - h. Appendix H - List of Equipment. If Applicable.
    - i. Appendix I - List of Tax Rebate Items. If Applicable.

1.2 BID FORM SUPPLEMENT SIGNATURES

- A. The Corporate Seal of.....
- B. (Bidder - print the full name of your firm) .....
- C. was hereunto affixed in the presence of .....
- D. (Authorized signing officer and title) .....

- E. (Seal) .....
- F. (Authorized signing officer and title): .....
- G. (Seal) .....

1.3 APPENDIX A - LIST OF SUBCONTRACTORS

- A. The list of Subcontractors submitted below is an integral part of the Bid Form and is referenced in the Bid submitted by:
  - 1. (Bidder) .....
  - 2. (Sub).....
  - 3. (Sub).....
  - 4. (Sub).....
  - 5. (Sub).....
  - 6. (Sub).....
  
- B. Following work will be performed (or provided) by Subcontractors and coordinated by us:
  - 1. Work.....By.....
  - 2. Work.....By.....
  - 3. Work.....By.....
  - 4. Work.....By.....

1.4 APPENDIX B - LIST OF UNIT PRICES

- A. Following list of Unit Prices is an integral part of the Bid Form and is referenced in the Bid submitted by:
  - 1. (Bidder) .....
  - 2. To: Town of Wadley, Alabama
  - 3. Dated .....
  
- B. Following Unit Prices are for specific portions of the Work as listed and are applicable to authorized variations from the Contract Documents:
  - 1. See Bid Form

1.5 APPENDIX C - LIST OF ALTERNATES

- A. Following list of alternates is an integral part of the Bid Form and is referenced in the Bid submitted by:
  - 1. (Bidder) .....
  - 2. To: Town of Wadley, Alabama
  - 3. Dated .....
  - 4. Alternate.....

B. Following amounts shall be added to or deducted from the Bid Sum/Price. Refer to Schedule of Alternates in Section 012000 - Price and Payment Procedures for description of alternates.

1. Alternate No.....
2. Add Value. ....

1.6 APPENDIX D - LIST OF SEPARATE PRICES

1. SEE BID FORM

1.7 APPENDIX E - COST BREAKDOWN

1. SEE BID FORM.

1.8 APPENDIX F - LIST OF SUPPLEMENTARY MECHANICAL INFORMATION

1. N/A

1.9 APPENDIX G - LIST OF SUPPLEMENTARY ELECTRICAL INFORMATION

1. N/A

1.10 APPENDIX H - LIST OF EQUIPMENT

A. Following list of equipment is an integral part of the Bid Form and is referenced in the Bid submitted by:

1. (Bidder) .....
2. To The Town of Wadley, Alabama
3. Dated .....
4. Component or Item.....
5. Manufacturer.....

1.11 APPENDIX I - LIST OF TAX REBATE ITEMS

1. N/A

END OF DOCUMENT 004300

**This page intentionally left blank.**

SECTION 005213.12 - AGREEMENT FORM - EJCDC STIPULATED SUM (SINGLE-PRIME CONTRACT)

1.1 AGREEMENT

- A. Basis of Agreement between Owner and Contractor: EJCDC C-520 - Agreement between Owner and Contractor for Construction Contract (Stipulated Price).

END OF DOCUMENT 005213.12

**This page intentionally left blank.**

AGREEMENT  
BETWEEN OWNER AND CONTRACTOR  
FOR CONSTRUCTION CONTRACT (STIPULATED PRICE)

THIS AGREEMENT is by and between The Town of Wadley, Alabama (“Owner”) and  
\_\_\_\_\_ (“Contractor”).

Owner and Contractor hereby agree as follows:

**ARTICLE 1 – WORK**

1.01 Contractor shall complete all Work as specified or indicated in the Contract Documents. The Work is generally described as follows:

**ARTICLE 2 – THE PROJECT**

2.01 The Project, of which the Work under the Contract Documents is a part, is generally described as follows:

***Installation of full depth asphalt replacement, storm sewer improvements, traffic controls, speed bumps, and all necessary appurtenances.***

**ARTICLE 3 – ENGINEER**

3.01 The part of the Project that pertains to the Work has been designed by InSite Engineering, LLC.

3.02 The Owner has retained InSite Engineering, LLC (“Engineer”) to act as Owner’s representative, assume all duties and responsibilities, and have the rights and authority assigned to Engineer in the Contract Documents in connection with the completion of the Work in accordance with the Contract Documents.

**ARTICLE 4 – CONTRACT TIMES**

4.01 *Time of the Essence*

A. All time limits for Milestones, if any, Substantial Completion, and completion and readiness for final payment as stated in the Contract Documents are of the essence of the Contract.

4.02 *Contract Times: Days*

A. The Work will be substantially completed within **90** days after the date when the Contract Times commence to run as provided in Paragraph 4.01 of the General Conditions, and completed and ready for final payment in accordance with Paragraph 15.06 of the General Conditions within **120** the date when the Contract Times commence to run.

4.03 *Liquidated Damages*

A. Contractor and Owner recognize that time is of the essence as stated in Paragraph 4.01 above and that Owner will suffer financial and other losses if the Work is not completed and Milestones not achieved within the times specified in Paragraph 4.02 above, plus any extensions thereof allowed in accordance with the Contract. The parties also recognize the delays, expense, and difficulties involved in proving in a legal or arbitration proceeding the actual loss suffered by Owner if the Work is not completed on time. Accordingly, instead of



requiring any such proof, Owner and Contractor agree that as liquidated damages for delay (but not as a penalty):

1. Substantial Completion: Contractor shall pay Owner \$750 for each day that expires after the time (as duly adjusted pursuant to the Contract) specified in Paragraph 4.02.A above for Substantial Completion until the Work is substantially complete.
2. Completion of Remaining Work: After Substantial Completion, if Contractor shall neglect, refuse, or fail to complete the remaining Work within the Contract Times (as duly adjusted pursuant to the Contract) for completion and readiness for final payment, Contractor shall pay Owner \$750 for each day that expires after such time until the Work is completed and ready for final payment.
3. Liquidated damages for failing to timely attain Substantial Completion and final completion are not additive and will not be imposed concurrently.

#### 4.04 *Special Damages*

- A. In addition to the amount provided for liquidated damages, Contractor shall reimburse Owner (1) for any fines or penalties imposed on Owner as a direct result of the Contractor's failure to attain Substantial Completion according to the Contract Times, and (2) for the actual costs reasonably incurred by Owner for engineering, construction observation, inspection, and administrative services needed after the time specified in Paragraph 4.02 for Substantial Completion (as duly adjusted pursuant to the Contract), until the Work is substantially complete.
- B. After Contractor achieves Substantial Completion, if Contractor shall neglect, refuse, or fail to complete the remaining Work within the Contract Times, Contractor shall reimburse Owner for the actual costs reasonably incurred by Owner for engineering, construction observation, inspection, and administrative services needed after the time specified in Paragraph 4.02 for Work to be completed and ready for final payment (as duly adjusted pursuant to the Contract), until the Work is completed and ready for final payment.

### **ARTICLE 5 – CONTRACT PRICE**

5.01 Owner shall pay Contractor for completion of the Work in accordance with the Contract Documents the amounts that follow, subject to adjustment under the Contract:

- A. For all Work other than Unit Price Work, a lump sum of: \$ ██████████.

All specific cash allowances are included in the above price in accordance with Paragraph 13.02 of the General Conditions.

- B. For all Unit Price Work, an amount equal to the sum of the extended prices (established for each separately identified item of Unit Price Work by multiplying the unit price times the actual quantity of that item):

Unit Price Work					
Item No.	Description	Unit	Estimated Quantity	Unit Price	Extended Price
	<b>SEE SECTION 004143 - BID FORM – UNIT PRICE</b>				
Total of all Extended Prices for Unit Price Work (subject to final adjustment based on actual quantities)					\$

The extended prices for Unit Price Work set forth as of the Effective Date of the Contract are based on estimated quantities. As provided in Paragraph 13.03 of the General Conditions, estimated quantities are not guaranteed, and determinations of actual quantities and classifications are to be made by Engineer.

- C. Total of Unit Price Work (subject to final Unit Price adjustment) \$ .
- D. For all Work, at the prices stated in Contractor's Bid, attached hereto as an exhibit.

## ARTICLE 6 – PAYMENT PROCEDURES

### 6.01 *Submittal and Processing of Payments*

- A. Contractor shall submit Applications for Payment in accordance with Article 15 of the General Conditions. Applications for Payment will be processed by Engineer as provided in the General Conditions.

### 6.02 *Progress Payments; Retainage*

- A. Owner shall make progress payments on account of the Contract Price on the basis of Contractor's Applications for Payment on or about the 25 day of each month during performance of the Work as provided in Paragraph 6.02.A.1 below, provided that such Applications for Payment have been submitted in a timely manner and otherwise meet the requirements of the Contract. All such payments will be measured by the Schedule of Values established as provided in the General Conditions (and in the case of Unit Price Work based on the number of units completed) or, in the event there is no Schedule of Values, as provided elsewhere in the Contract.
  - 1. Prior to Substantial Completion, progress payments will be made in an amount equal to the percentage indicated below but, in each case, less the aggregate of payments previously made and less such amounts as Owner may withhold, including but not limited to liquidated damages, in accordance with the Contract
    - a. 95 percent of Work completed (with the balance being retainage). If the Work has been 50 percent completed as determined by Engineer, and if the character and progress of the Work have been satisfactory to Owner and Engineer, then as long as the character and progress of the Work remain satisfactory to Owner and Engineer, there will be no additional retainage; and
    - b. 95 percent of cost of materials and equipment not incorporated in the Work (with the balance being retainage).
- B. Upon Substantial Completion, Owner shall pay an amount sufficient to increase total payments to Contractor to 97.5 percent of the Work completed, less such amounts set off by Owner pursuant to Paragraph 15.01.E of the General Conditions, and less 200 percent of Engineer's estimate of the value of Work to be completed or corrected as shown on the punch list of items to be completed or corrected prior to final payment.

### 6.03 *Final Payment*

- A. Upon final completion and acceptance of the Work in accordance with Paragraph 15.06 of the General Conditions, Owner shall pay the remainder of the Contract Price as recommended by Engineer as provided in said Paragraph 15.06.

## **ARTICLE 7 – INTEREST**

- 7.01 All amounts not paid when due shall bear interest at the rate of    percent per annum.

## **ARTICLE 8 – CONTRACTOR’S REPRESENTATIONS**

- 8.01 In order to induce Owner to enter into this Contract, Contractor makes the following representations:
  - A. Contractor has examined and carefully studied the Contract Documents, and any data and reference items identified in the Contract Documents.
  - B. Contractor has visited the Site, conducted a thorough, alert visual examination of the Site and adjacent areas, and become familiar with and is satisfied as to the general, local, and Site conditions that may affect cost, progress, and performance of the Work.
  - C. Contractor is familiar with and is satisfied as to all Laws and Regulations that may affect cost, progress, and performance of the Work.
  - D. Contractor has carefully studied all: (1) reports of explorations and tests of subsurface conditions at or adjacent to the Site and all drawings of physical conditions relating to existing surface or subsurface structures at the Site that have been identified in the Supplementary Conditions, especially with respect to Technical Data in such reports and drawings, and (2) reports and drawings relating to Hazardous Environmental Conditions, if any, at or adjacent to the Site that have been identified in the Supplementary Conditions, especially with respect to Technical Data in such reports and drawings.
  - E. Contractor has considered the information known to Contractor itself; information commonly known to contractors doing business in the locality of the Site; information and observations obtained from visits to the Site; the Contract Documents; and the Site-related reports and drawings identified in the Contract Documents, with respect to the effect of such information, observations, and documents on (1) the cost, progress, and performance of the Work; (2) the means, methods, techniques, sequences, and procedures of construction to be employed by Contractor; and (3) Contractor’s safety precautions and programs.
  - F. Based on the information and observations referred to in the preceding paragraph, Contractor agrees that no further examinations, investigations, explorations, tests, studies, or data are necessary for the performance of the Work at the Contract Price, within the Contract Times, and in accordance with the other terms and conditions of the Contract.
  - G. Contractor is aware of the general nature of work to be performed by Owner and others at the Site that relates to the Work as indicated in the Contract Documents.
  - H. Contractor has given Engineer written notice of all conflicts, errors, ambiguities, or discrepancies that Contractor has discovered in the Contract Documents, and the written resolution thereof by Engineer is acceptable to Contractor.
  - I. The Contract Documents are generally sufficient to indicate and convey understanding of all terms and conditions for performance and furnishing of the Work.
  - J. Contractor’s entry into this Contract constitutes an incontrovertible representation by Contractor that without exception all prices in the Agreement are premised upon performing and furnishing the Work required by the Contract Documents.

## ARTICLE 9 – CONTRACT DOCUMENTS

### 9.01 *Contents*

- A. The Contract Documents consist of the following:
1. This Agreement (pages 1 to 8, inclusive).
  2. Performance bond (pages █ to █, inclusive).
  3. Payment bond (pages █ to █, inclusive).
  4. Other bonds.
    - a. █ (pages █ to █, inclusive).
  5. General Conditions (pages █ to █, inclusive).
  6. Supplementary Conditions (pages █ to █, inclusive).
  7. Specifications as listed in the table of contents of the Project Manual.
  8. Drawings (not attached but incorporated by reference) consisting of 7 sheets with each sheet bearing the following general title: Municipal Road Improvements – Re-paving Improvements (2022 Rebuild Alabama)
  9. Addenda (numbers █ to █, inclusive).
  10. Exhibits to this Agreement (enumerated as follows):
    - a. Contractor’s Bid (pages █ to █, inclusive).
  11. The following which may be delivered or issued on or after the Effective Date of the Contract and are not attached hereto:
    - a. Notice to Proceed.
    - b. Work Change Directives.
    - c. Change Orders.
    - d. Field Orders.
- B. The documents listed in Paragraph 9.01.A are attached to this Agreement (except as expressly noted otherwise above).
- C. There are no Contract Documents other than those listed above in this Article 9.
- D. The Contract Documents may only be amended, modified, or supplemented as provided in the General Conditions.

## ARTICLE 10 – MISCELLANEOUS

### 10.01 *Terms*

- A. Terms used in this Agreement will have the meanings stated in the General Conditions and the Supplementary Conditions.

### 10.02 *Assignment of Contract*

- A. Unless expressly agreed to elsewhere in the Contract, no assignment by a party hereto of any rights under or interests in the Contract will be binding on another party hereto without the written consent of the party sought to be bound; and, specifically but without limitation, money that may become due and money that is due may not be assigned without such consent (except to the extent that the effect of this restriction may be limited by law), and

unless specifically stated to the contrary in any written consent to an assignment, no assignment will release or discharge the assignor from any duty or responsibility under the Contract Documents.

10.03 *Successors and Assigns*

- A. Owner and Contractor each binds itself, its successors, assigns, and legal representatives to the other party hereto, its successors, assigns, and legal representatives in respect to all covenants, agreements, and obligations contained in the Contract Documents.

10.04 *Severability*

- A. Any provision or part of the Contract Documents held to be void or unenforceable under any Law or Regulation shall be deemed stricken, and all remaining provisions shall continue to be valid and binding upon Owner and Contractor, who agree that the Contract Documents shall be reformed to replace such stricken provision or part thereof with a valid and enforceable provision that comes as close as possible to expressing the intention of the stricken provision.

10.05 *Contractor's Certifications*

- A. Contractor certifies that it has not engaged in corrupt, fraudulent, collusive, or coercive practices in competing for or in executing the Contract. For the purposes of this Paragraph 10.05:
  1. "corrupt practice" means the offering, giving, receiving, or soliciting of any thing of value likely to influence the action of a public official in the bidding process or in the Contract execution;
  2. "fraudulent practice" means an intentional misrepresentation of facts made (a) to influence the bidding process or the execution of the Contract to the detriment of Owner, (b) to establish Bid or Contract prices at artificial non-competitive levels, or (c) to deprive Owner of the benefits of free and open competition;
  3. "collusive practice" means a scheme or arrangement between two or more Bidders, with or without the knowledge of Owner, a purpose of which is to establish Bid prices at artificial, non-competitive levels; and
  4. "coercive practice" means harming or threatening to harm, directly or indirectly, persons or their property to influence their participation in the bidding process or affect the execution of the Contract.

10.06 *Other Provisions*

- A. Owner stipulates that if the General Conditions that are made a part of this Contract are based on EJCDC® C-700, Standard General Conditions for the Construction Contract, published by the Engineers Joint Contract Documents Committee®, and if Owner is the party that has furnished said General Conditions, then Owner has plainly shown all modifications to the standard wording of such published document to the Contractor, through a process such as highlighting or "track changes" (redline/strikeout), or in the Supplementary Conditions.

IN WITNESS WHEREOF, Owner and Contractor have signed this Agreement.

This Agreement will be effective on \_\_\_\_\_ (which is the Effective Date of the Contract).

OWNER:

CONTRACTOR:

\_\_\_\_\_  
Town of Wadley, Alabama

\_\_\_\_\_

By: \_\_\_\_\_

By: \_\_\_\_\_

Title: \_\_\_\_\_

Title: \_\_\_\_\_

*(If Contractor is a corporation, a partnership, or a joint venture, attach evidence of authority to sign.)*

Attest: \_\_\_\_\_

Attest: \_\_\_\_\_

Title: \_\_\_\_\_

Title: \_\_\_\_\_

Address for giving notices:

Address for giving notices:

\_\_\_\_\_  
Town of Wadley, Alabama

\_\_\_\_\_

\_\_\_\_\_  
P.O. Box 9

\_\_\_\_\_

\_\_\_\_\_  
Wadley, Alabama 36276

\_\_\_\_\_

License No.: \_\_\_\_\_  
*(where applicable)*

*(If Owner is a corporation, attach evidence of authority to sign. If Owner is a public body, attach evidence of authority to sign and resolution or other documents authorizing execution of this Agreement.)*

*NOTE TO USER: Use in those states or other jurisdictions where applicable or required.*

**This page intentionally left blank.**

## SECTION 006000.00 – PROJECT FORMS

### 1.1 FORM OF AGREEMENT AND GENERAL CONDITIONS

- A. The following form of Owner/Contractor Agreement and form of the General Conditions shall be used for Project:
1. EJCDC Document C-520, "Suggested Form of Agreement between Owner and Contractor for Construction Contract (Stipulated Price)."
    - a. The General Conditions for Project are EJCDC Document C-700, "Standard General Conditions of the Construction Contract."
  2. The General Conditions are included in the Project Manual.
  3. The Supplementary Conditions for Project are separately prepared and included in the Project Manual.

### 1.2 ADMINISTRATIVE FORMS

- A. Administrative Forms: Additional administrative forms are specified in Division 01 General Requirements.
- B. Copies of standard forms not included in the Project Manual may be obtained from the respective agencies who produce the forms.
- C. Preconstruction Forms:
1. Form of Performance Bond: EJCDC Document C-610, "Performance Bond."
  2. Form of Payment Bond: EJCDC Document C-615(A), "Payment Bond."
- D. Information and Modification Forms:
1. Form for Requests for Information (RFIs): Engineer's Standard Form issued for the Project.
  2. Change Order Form: EJCDC Document C-941, "Change Order."
  3. Form of Engineer's Memorandum for Minor Changes in the Work: EJCDC Document C-942, "Field Order."
  4. Form of Work Change Directive: EJCDC Document C-940, "Work Change Directive."
- E. Payment Forms:
1. Schedule of Values Form: Contractor's Standard Form issued for the Project.
  2. Payment Application: EJCDC Document C-620, "Contractor's Application for Payment."



3. Form of Contractor's Affidavit: AIA Document G706, "Contractor's Affidavit of Payment of Debts and Claims."
4. Form of Affidavit of Release of Liens: AIA Document G706A, "Contractor's Affidavit of Payment of Release of Liens."
5. Form of Consent of Surety: AIA Document G707, "Consent of Surety to Final Payment."

END OF SECTION 006000

This document has important legal consequences; consultation with an attorney is encouraged with respect to its use or modification. This document should be adapted to the particular circumstances of the contemplated Project and the controlling Laws and Regulations.

## PERFORMANCE BOND

Prepared By



Endorsed By



Copyright© 2018

National Society of Professional Engineers  
1420 King Street, Alexandria, VA 22314-2794  
(703) 684-2882  
[www.nspe.org](http://www.nspe.org)

American Council of Engineering Companies  
1015 15th Street N.W., Washington, DC 20005  
(202) 347-7474  
[www.acec.org](http://www.acec.org)

American Society of Civil Engineers  
1801 Alexander Bell Drive, Reston, VA 20191-4400  
(800) 548-2723  
[www.asce.org](http://www.asce.org)

The copyright for this EJCDC document is owned jointly by the three sponsoring organizations listed above. The National Society of Professional Engineers is the Copyright Administrator for the EJCDC documents; please direct all inquiries regarding EJCDC copyrights to NSPE.

NOTE: EJCDC publications may be purchased at [www.ejcdc.org](http://www.ejcdc.org), or from any of the sponsoring organizations above.

# GUIDELINES FOR USE OF EJCDC® C-610, PERFORMANCE BOND

## 1.0 PURPOSE AND INTENDED USE OF THE DOCUMENT

The Performance Bond is the document in which the Contractor and Surety provide assurances to the Owner regarding the performance and completion of the Contractor's obligations under the construction contract. The Performance Bond establishes the responsibilities of the Surety with regard to a default in performance by the Contractor.

The Owner typically provides the Performance Bond form to prospective Bidders or Contractors, sometimes with some of the Project-specific information (for example, Owner's correct legal entity name) inserted in the form. After a Contractor has been selected, the Contractor's Surety issues the actual executed Performance Bond, based on the form, and the Contractor submits the executed Performance Bond to Owner at the time the Contract is signed.

For additional information regarding C-610, see EJCDC® C-001, Commentary on the 2018 EJCDC Construction Documents (2018).

## 2.0 ORGANIZATION OF INFORMATION

All parties involved in a construction project benefit significantly from a standardized approach in the location of subject matter throughout the documents. Experience confirms the danger of addressing the same subject matter in more than one location; doing so frequently leads to confusion and unanticipated legal consequences. Careful attention should be given to the guidance provided in EJCDC® N-122/AIA® A521, Uniform Location of Subject Matter (2012 Edition) when preparing documents. EJCDC® N-122/AIA® A521 is available at no charge from the EJCDC website, [www.ejcdc.org](http://www.ejcdc.org), and from the websites of EJCDC's sponsoring organizations.

If CSI MasterFormat™ is used for organizing the Project Manual, consult CSI MasterFormat™ for the appropriate document number (e.g., under 00 11 00, Advertisements and Invitations), and accordingly number the document and its pages.

## 3.0 EDITING THIS DOCUMENT

3.1 It is intended that this document be edited before being furnished as a form to prospective Bidders or Contractors, and for each actual issuance of a Performance Bond. Guidelines for editing include:

- A. Remove the cover pages which consist of the title pages and these Guidelines for Use.
- B. Type in required information as indicated by brackets ([ ]). Bracketed text will usually provide instructions for what is to be inserted in place of the brackets. Delete brackets and change formatting to match existing text after project specific text has been added, e.g. change "[Project Name]" to "Peach Street Renovation" (without brackets or bold, or quotation marks).
- C. Fill in blanks, if any. It will be more common for information to be inserted by user to be indicated by a prompt in brackets, as described in Paragraph B above, rather than by an underline-style blank.

D. Modify check-boxes as required by clicking in the box.

#### **4.0 LICENSE AGREEMENT**

This document is subject to the terms and conditions of the **License Agreement, 2018 EJDC® Construction Series Documents**. A copy of the License Agreement was furnished at the time of purchase of this document, and is available for review at [www.ejcdc.org](http://www.ejcdc.org) and the websites of EJDC's sponsoring organizations.

## PERFORMANCE BOND

<p><b>Contractor</b></p> <p>Name: <b>[Full formal name of Contractor]</b></p> <p>Address <i>(principal place of business)</i>:  <b>[Address of Contractor's principal place of business]</b></p>	<p><b>Surety</b></p> <p>Name: <b>[Full formal name of Surety]</b></p> <p>Address <i>(principal place of business)</i>:  <b>[Address of Surety's principal place of business]</b></p>
<p><b>Owner</b></p> <p>Name: <b>[Full formal name of Owner]</b></p> <p>Mailing address <i>(principal place of business)</i>:  <b>[Address of Owner's principal place of business]</b></p>	<p><b>Contract</b></p> <p>Description <i>(name and location)</i>:  <b>[Owner's project/contract name, and location of the project]</b></p> <p>Contract Price: <b>[Amount from Contract]</b></p> <p>Effective Date of Contract: <b>[Date from Contract]</b></p>
<p><b>Bond</b></p> <p>Bond Amount: <b>[Amount]</b></p> <p>Date of Bond: <b>[Date]</b></p> <p><i>(Date of Bond cannot be earlier than Effective Date of Contract)</i></p> <p>Modifications to this Bond form:  <input type="checkbox"/> None <input type="checkbox"/> See Paragraph 16</p>	
<p>Surety and Contractor, intending to be legally bound hereby, subject to the terms set forth in this Performance Bond, do each cause this Performance Bond to be duly executed by an authorized officer, agent, or representative.</p>	
Contractor as Principal	Surety
<p>_____</p> <p><i>(Full formal name of Contractor)</i></p>	<p>_____</p> <p><i>(Full formal name of Surety) (corporate seal)</i></p>
<p>By: _____</p> <p style="text-align: center;"><i>(Signature)</i></p>	<p>By: _____</p> <p style="text-align: center;"><i>(Signature)(Attach Power of Attorney)</i></p>
<p>Name: _____</p> <p style="text-align: center;"><i>(Printed or typed)</i></p>	<p>Name: _____</p> <p style="text-align: center;"><i>(Printed or typed)</i></p>
<p>Title: _____</p>	<p>Title: _____</p>
<p>Attest: _____</p> <p style="text-align: center;"><i>(Signature)</i></p>	<p>Attest: _____</p> <p style="text-align: center;"><i>(Signature)</i></p>
<p>Name: _____</p> <p style="text-align: center;"><i>(Printed or typed)</i></p>	<p>Name: _____</p> <p style="text-align: center;"><i>(Printed or typed)</i></p>
<p>Title: _____</p>	<p>Title: _____</p>
<p><i>Notes: (1) Provide supplemental execution by any additional parties, such as joint venturers. (2) Any singular reference to Contractor, Surety, Owner, or other party is considered plural where applicable.</i></p>	

1. The Contractor and Surety, jointly and severally, bind themselves, their heirs, executors, administrators, successors, and assigns to the Owner for the performance of the Construction Contract, which is incorporated herein by reference.
2. If the Contractor performs the Construction Contract, the Surety and the Contractor shall have no obligation under this Bond, except when applicable to participate in a conference as provided in Paragraph 3.
3. If there is no Owner Default under the Construction Contract, the Surety's obligation under this Bond will arise after:
  - 3.1. The Owner first provides notice to the Contractor and the Surety that the Owner is considering declaring a Contractor Default. Such notice may indicate whether the Owner is requesting a conference among the Owner, Contractor, and Surety to discuss the Contractor's performance. If the Owner does not request a conference, the Surety may, within five (5) business days after receipt of the Owner's notice, request such a conference. If the Surety timely requests a conference, the Owner shall attend. Unless the Owner agrees otherwise, any conference requested under this Paragraph 3.1 will be held within ten (10) business days of the Surety's receipt of the Owner's notice. If the Owner, the Contractor, and the Surety agree, the Contractor shall be allowed a reasonable time to perform the Construction Contract, but such an agreement does not waive the Owner's right, if any, subsequently to declare a Contractor Default;
  - 3.2. The Owner declares a Contractor Default, terminates the Construction Contract and notifies the Surety; and
  - 3.3. The Owner has agreed to pay the Balance of the Contract Price in accordance with the terms of the Construction Contract to the Surety or to a contractor selected to perform the Construction Contract.
4. Failure on the part of the Owner to comply with the notice requirement in Paragraph 3.1 does not constitute a failure to comply with a condition precedent to the Surety's obligations, or release the Surety from its obligations, except to the extent the Surety demonstrates actual prejudice.
5. When the Owner has satisfied the conditions of Paragraph 3, the Surety shall promptly and at the Surety's expense take one of the following actions:
  - 5.1. Arrange for the Contractor, with the consent of the Owner, to perform and complete the Construction Contract;
  - 5.2. Undertake to perform and complete the Construction Contract itself, through its agents or independent contractors;
  - 5.3. Obtain bids or negotiated proposals from qualified contractors acceptable to the Owner for a contract for performance and completion of the Construction Contract, arrange for a contract to be prepared for execution by the Owner and a contractor selected with the Owners concurrence, to be secured with performance and payment bonds executed by a qualified surety equivalent to the bonds issued on the Construction Contract, and pay to the Owner the amount of damages as described in Paragraph 7 in excess of the Balance of the Contract Price incurred by the Owner as a result of the Contractor Default; or
  - 5.4. Waive its right to perform and complete, arrange for completion, or obtain a new contractor, and with reasonable promptness under the circumstances:

- 5.4.1 After investigation, determine the amount for which it may be liable to the Owner and, as soon as practicable after the amount is determined, make payment to the Owner; or
  - 5.4.2 Deny liability in whole or in part and notify the Owner, citing the reasons for denial.
6. If the Surety does not proceed as provided in Paragraph 5 with reasonable promptness, the Surety shall be deemed to be in default on this Bond seven days after receipt of an additional written notice from the Owner to the Surety demanding that the Surety perform its obligations under this Bond, and the Owner shall be entitled to enforce any remedy available to the Owner. If the Surety proceeds as provided in Paragraph 5.4, and the Owner refuses the payment, or the Surety has denied liability, in whole or in part, without further notice, the Owner shall be entitled to enforce any remedy available to the Owner.
7. If the Surety elects to act under Paragraph 5.1, 5.2, or 5.3, then the responsibilities of the Surety to the Owner will not be greater than those of the Contractor under the Construction Contract, and the responsibilities of the Owner to the Surety will not be greater than those of the Owner under the Construction Contract. Subject to the commitment by the Owner to pay the Balance of the Contract Price, the Surety is obligated, without duplication for:
  - 7.1. the responsibilities of the Contractor for correction of defective work and completion of the Construction Contract;
  - 7.2. additional legal, design professional, and delay costs resulting from the Contractor's Default, and resulting from the actions or failure to act of the Surety under Paragraph 5; and
  - 7.3. liquidated damages, or if no liquidated damages are specified in the Construction Contract, actual damages caused by delayed performance or non-performance of the Contractor.
8. If the Surety elects to act under Paragraph 5.1, 5.3, or 5.4, the Surety's liability is limited to the amount of this Bond.
9. The Surety shall not be liable to the Owner or others for obligations of the Contractor that are unrelated to the Construction Contract, and the Balance of the Contract Price will not be reduced or set off on account of any such unrelated obligations. No right of action will accrue on this Bond to any person or entity other than the Owner or its heirs, executors, administrators, successors, and assigns.
10. The Surety hereby waives notice of any change, including changes of time, to the Construction Contract or to related subcontracts, purchase orders, and other obligations.
11. Any proceeding, legal or equitable, under this Bond must be instituted in any court of competent jurisdiction in the location in which the work or part of the work is located and must be instituted within two years after a declaration of Contractor Default or within two years after the Contractor ceased working or within two years after the Surety refuses or fails to perform its obligations under this Bond, whichever occurs first. If the provisions of this paragraph are void or prohibited by law, the minimum periods of limitations available to sureties as a defense in the jurisdiction of the suit will be applicable.
12. Notice to the Surety, the Owner, or the Contractor must be mailed or delivered to the address shown on the page on which their signature appears.
13. When this Bond has been furnished to comply with a statutory or other legal requirement in the location where the construction was to be performed, any provision in this Bond conflicting with said statutory or legal requirement will be deemed deleted therefrom and provisions conforming to such



statutory or other legal requirement will be deemed incorporated herein. When so furnished, the intent is that this Bond will be construed as a statutory bond and not as a common law bond.

14. Definitions

- 14.1. *Balance of the Contract Price*—The total amount payable by the Owner to the Contractor under the Construction Contract after all proper adjustments have been made including allowance for the Contractor for any amounts received or to be received by the Owner in settlement of insurance or other claims for damages to which the Contractor is entitled, reduced by all valid and proper payments made to or on behalf of the Contractor under the Construction Contract.
  - 14.2. *Construction Contract*—The agreement between the Owner and Contractor identified on the cover page, including all Contract Documents and changes made to the agreement and the Contract Documents.
  - 14.3. *Contractor Default*—Failure of the Contractor, which has not been remedied or waived, to perform or otherwise to comply with a material term of the Construction Contract.
  - 14.4. *Owner Default*—Failure of the Owner, which has not been remedied or waived, to pay the Contractor as required under the Construction Contract or to perform and complete or comply with the other material terms of the Construction Contract.
  - 14.5. *Contract Documents*—All the documents that comprise the agreement between the Owner and Contractor.
15. If this Bond is issued for an agreement between a contractor and subcontractor, the term Contractor in this Bond will be deemed to be Subcontractor and the term Owner will be deemed to be Contractor.
16. Modifications to this Bond are as follows: **[Describe modification or enter “None”]**

This document has important legal consequences; consultation with an attorney is encouraged with respect to its use or modification. This document should be adapted to the particular circumstances of the contemplated Project and the controlling Laws and Regulations.

## PAYMENT BOND

Prepared By



Endorsed By



Copyright© 2018

National Society of Professional Engineers  
1420 King Street, Alexandria, VA 22314-2794  
(703) 684-2882  
[www.nspe.org](http://www.nspe.org)

American Council of Engineering Companies  
1015 15th Street N.W., Washington, DC 20005  
(202) 347-7474  
[www.acec.org](http://www.acec.org)

American Society of Civil Engineers  
1801 Alexander Bell Drive, Reston, VA 20191-4400  
(800) 548-2723  
[www.asce.org](http://www.asce.org)

The copyright for this EJCDC document is owned jointly by the three sponsoring organizations listed above. The National Society of Professional Engineers is the Copyright Administrator for the EJCDC documents; please direct all inquiries regarding EJCDC copyrights to NSPE.

NOTE: EJCDC publications may be purchased at [www.ejcdc.org](http://www.ejcdc.org), or from any of the sponsoring organizations above.

# GUIDELINES FOR USE OF EJCDC® C-615, PAYMENT BOND

## 1.0 PURPOSE AND INTENDED USE OF THE DOCUMENT

The Payment Bond is the document in which the Contractor and its Surety commit to making payment to Subcontractors and Suppliers for labor, materials, and equipment provided to Contractor for the benefit of the Project and Owner. This bond form sets forth the obligations of the Surety to the Owner in the event Contractor fails to pay a Subcontractor or Supplier.

For additional information regarding EJCDC® C-615, see EJCDC® C-001, Commentary on the 2018 EJCDC Construction Documents (2018).

## 2.0 ORGANIZATION OF INFORMATION

All parties involved in a construction project benefit significantly from a standardized approach in the location of subject matter throughout the documents. Experience confirms the danger of addressing the same subject matter in more than one location; doing so frequently leads to confusion and unanticipated legal consequences. Careful attention should be given to the guidance provided in EJCDC® N-122/AIA® A521, Uniform Location of Subject Matter (2012 Edition) when preparing documents. EJCDC® N-122/AIA® A521 is available at no charge from the EJCDC website, [www.ejcdc.org](http://www.ejcdc.org), and from the websites of EJCDC's sponsoring organizations.

If CSI MasterFormat™ is used for organizing the Project Manual, consult CSI MasterFormat™ for the appropriate document number (e.g., under 00 11 00, Advertisements and Invitations), and accordingly number the document and its pages.

## 3.0 EDITING THIS DOCUMENT

3.1 It is intended that this document be edited before being furnished as a form to prospective Bidders or Contractors, and for each actual issuance of a Payment Bond. Guidelines for editing include:

- A. Remove the cover pages which consist of the title pages and these Guidelines for Use.
- B. Type in required information as indicated by brackets ([ ]). Bracketed text will usually provide instructions for what is to be inserted in place of the brackets. Delete brackets and change formatting to match existing text after project specific text has been added, e.g. change “[Project Name]” to “Peach Street Renovation” (without brackets or bold, or quotation marks).
- C. Fill in blanks, if any. It will be more common for information to be inserted by user to be indicated by a prompt in brackets, as described in Paragraph B above, rather than by an underline-style blank.
- D. Modify check-boxes as required by clicking in the box.

## 4.0 LICENSE AGREEMENT

This document is subject to the terms and conditions of the **License Agreement, 2018 EJCDC® Construction Series Documents**. A copy of the License Agreement was furnished at the time of purchase of this document, and is available for review at [www.ejcdc.org](http://www.ejcdc.org) and the websites of EJCDC's sponsoring organizations.

**THIS PAGE INTENTIONALLY LEFT BLANK.**

## PAYMENT BOND

<b>Contractor</b> Name: <b>[Full formal name of Contractor]</b> Address <i>(principal place of business)</i> : <b>[Address of Contractor's principal place of business]</b>	<b>Surety</b> Name: <b>[Full formal name of Surety]</b> Address <i>(principal place of business)</i> : <b>[Address of Surety's principal place of business]</b>
<b>Owner</b> Name: <b>[Full formal name of Owner]</b> Mailing address <i>(principal place of business)</i> : <b>[Address of Owner's principal place of business]</b>	<b>Contract</b> Description <i>(name and location)</i> : <b>[Owner's project/contract name, and location of the project]</b>  Contract Price: <b>[Amount, from Contract]</b> Effective Date of Contract: <b>[Date, from Contract]</b>
<b>Bond</b> Bond Amount: <b>[Amount]</b> Date of Bond: <b>[Date]</b> <i>(Date of Bond cannot be earlier than Effective Date of Contract)</i> Modifications to this Bond form: <input type="checkbox"/> None <input type="checkbox"/> See Paragraph 18	
Surety and Contractor, intending to be legally bound hereby, subject to the terms set forth in this Payment Bond, do each cause this Payment Bond to be duly executed by an authorized officer, agent, or representative.	
Contractor as Principal	Surety
_____ <i>(Full formal name of Contractor)</i>	_____ <i>(Full formal name of Surety) (corporate seal)</i>
By: _____ <i>(Signature)</i>	By: _____ <i>(Signature)(Attach Power of Attorney)</i>
Name: _____ <i>(Printed or typed)</i>	Name: _____ <i>(Printed or typed)</i>
Title: _____	Title: _____
Attest: _____ <i>(Signature)</i>	Attest: _____ <i>(Signature)</i>
Name: _____ <i>(Printed or typed)</i>	Name: _____ <i>(Printed or typed)</i>
Title: _____	Title: _____
<i>Notes: (1) Provide supplemental execution by any additional parties, such as joint venturers. (2) Any singular reference to Contractor, Surety, Owner, or other party is considered plural where applicable.</i>	

1. The Contractor and Surety, jointly and severally, bind themselves, their heirs, executors, administrators, successors, and assigns to the Owner to pay for labor, materials, and equipment furnished for use in the performance of the Construction Contract, which is incorporated herein by reference, subject to the following terms.
2. If the Contractor promptly makes payment of all sums due to Claimants, and defends, indemnifies, and holds harmless the Owner from claims, demands, liens, or suits by any person or entity seeking payment for labor, materials, or equipment furnished for use in the performance of the Construction Contract, then the Surety and the Contractor shall have no obligation under this Bond.
3. If there is no Owner Default under the Construction Contract, the Surety's obligation to the Owner under this Bond will arise after the Owner has promptly notified the Contractor and the Surety (at the address described in Paragraph 13) of claims, demands, liens, or suits against the Owner or the Owner's property by any person or entity seeking payment for labor, materials, or equipment furnished for use in the performance of the Construction Contract, and tendered defense of such claims, demands, liens, or suits to the Contractor and the Surety.
4. When the Owner has satisfied the conditions in Paragraph 3, the Surety shall promptly and at the Surety's expense defend, indemnify, and hold harmless the Owner against a duly tendered claim, demand, lien, or suit.
5. The Surety's obligations to a Claimant under this Bond will arise after the following:
  - 5.1. Claimants who do not have a direct contract with the Contractor
    - 5.1.1. have furnished a written notice of non-payment to the Contractor, stating with substantial accuracy the amount claimed and the name of the party to whom the materials were, or equipment was, furnished or supplied or for whom the labor was done or performed, within ninety (90) days after having last performed labor or last furnished materials or equipment included in the Claim; and
    - 5.1.2. have sent a Claim to the Surety (at the address described in Paragraph 13).
  - 5.2. Claimants who are employed by or have a direct contract with the Contractor have sent a Claim to the Surety (at the address described in Paragraph 13).
6. If a notice of non-payment required by Paragraph 5.1.1 is given by the Owner to the Contractor, that is sufficient to satisfy a Claimant's obligation to furnish a written notice of non-payment under Paragraph 5.1.1.
7. When a Claimant has satisfied the conditions of Paragraph 5.1 or 5.2, whichever is applicable, the Surety shall promptly and at the Surety's expense take the following actions:
  - 7.1. Send an answer to the Claimant, with a copy to the Owner, within sixty (60) days after receipt of the Claim, stating the amounts that are undisputed and the basis for challenging any amounts that are disputed; and
  - 7.2. Pay or arrange for payment of any undisputed amounts.
  - 7.3. The Surety's failure to discharge its obligations under Paragraph 7.1 or 7.2 will not be deemed to constitute a waiver of defenses the Surety or Contractor may have or acquire as to a Claim, except as to undisputed amounts for which the Surety and Claimant have reached agreement. If, however, the Surety fails to discharge its obligations under Paragraph 7.1 or 7.2, the Surety shall indemnify the Claimant for the reasonable attorney's fees the Claimant incurs thereafter to recover any sums found to be due and owing to the Claimant.

8. The Surety's total obligation will not exceed the amount of this Bond, plus the amount of reasonable attorney's fees provided under Paragraph 7.3, and the amount of this Bond will be credited for any payments made in good faith by the Surety.
9. Amounts owed by the Owner to the Contractor under the Construction Contract will be used for the performance of the Construction Contract and to satisfy claims, if any, under any construction performance bond. By the Contractor furnishing and the Owner accepting this Bond, they agree that all funds earned by the Contractor in the performance of the Construction Contract are dedicated to satisfying obligations of the Contractor and Surety under this Bond, subject to the Owner's priority to use the funds for the completion of the work.
10. The Surety shall not be liable to the Owner, Claimants, or others for obligations of the Contractor that are unrelated to the Construction Contract. The Owner shall not be liable for the payment of any costs or expenses of any Claimant under this Bond, and shall have under this Bond no obligation to make payments to or give notice on behalf of Claimants, or otherwise have any obligations to Claimants under this Bond.
11. The Surety hereby waives notice of any change, including changes of time, to the Construction Contract or to related subcontracts, purchase orders, and other obligations.
12. No suit or action will be commenced by a Claimant under this Bond other than in a court of competent jurisdiction in the state in which the project that is the subject of the Construction Contract is located or after the expiration of one year from the date (1) on which the Claimant sent a Claim to the Surety pursuant to Paragraph 5.1.2 or 5.2, or (2) on which the last labor or service was performed by anyone or the last materials or equipment were furnished by anyone under the Construction Contract, whichever of (1) or (2) first occurs. If the provisions of this paragraph are void or prohibited by law, the minimum period of limitation available to sureties as a defense in the jurisdiction of the suit will be applicable.
13. Notice and Claims to the Surety, the Owner, or the Contractor must be mailed or delivered to the address shown on the page on which their signature appears. Actual receipt of notice or Claims, however accomplished, will be sufficient compliance as of the date received.
14. When this Bond has been furnished to comply with a statutory or other legal requirement in the location where the construction was to be performed, any provision in this Bond conflicting with said statutory or legal requirement will be deemed deleted here from and provisions conforming to such statutory or other legal requirement will be deemed incorporated herein. When so furnished, the intent is that this Bond will be construed as a statutory bond and not as a common law bond.
15. Upon requests by any person or entity appearing to be a potential beneficiary of this Bond, the Contractor and Owner shall promptly furnish a copy of this Bond or shall permit a copy to be made.
16. Definitions
  - 16.1. *Claim*—A written statement by the Claimant including at a minimum:
    - 16.1.1. The name of the Claimant;
    - 16.1.2. The name of the person for whom the labor was done, or materials or equipment furnished;
    - 16.1.3. A copy of the agreement or purchase order pursuant to which labor, materials, or equipment was furnished for use in the performance of the Construction Contract;
    - 16.1.4. A brief description of the labor, materials, or equipment furnished;



- 16.1.5. The date on which the Claimant last performed labor or last furnished materials or equipment for use in the performance of the Construction Contract;
  - 16.1.6. The total amount earned by the Claimant for labor, materials, or equipment furnished as of the date of the Claim;
  - 16.1.7. The total amount of previous payments received by the Claimant; and
  - 16.1.8. The total amount due and unpaid to the Claimant for labor, materials, or equipment furnished as of the date of the Claim.
- 16.2. *Claimant*—An individual or entity having a direct contract with the Contractor or with a subcontractor of the Contractor to furnish labor, materials, or equipment for use in the performance of the Construction Contract. The term Claimant also includes any individual or entity that has rightfully asserted a claim under an applicable mechanic’s lien or similar statute against the real property upon which the Project is located. The intent of this Bond is to include without limitation in the terms of “labor, materials, or equipment” that part of the water, gas, power, light, heat, oil, gasoline, telephone service, or rental equipment used in the Construction Contract, architectural and engineering services required for performance of the work of the Contractor and the Contractor’s subcontractors, and all other items for which a mechanic’s lien may be asserted in the jurisdiction where the labor, materials, or equipment were furnished.
- 16.3. *Construction Contract*—The agreement between the Owner and Contractor identified on the cover page, including all Contract Documents and all changes made to the agreement and the Contract Documents.
- 16.4. *Owner Default*—Failure of the Owner, which has not been remedied or waived, to pay the Contractor as required under the Construction Contract or to perform and complete or comply with the other material terms of the Construction Contract.
- 16.5. *Contract Documents*—All the documents that comprise the agreement between the Owner and Contractor.
17. If this Bond is issued for an agreement between a contractor and subcontractor, the term Contractor in this Bond will be deemed to be Subcontractor and the term Owner will be deemed to be Contractor.
18. Modifications to this Bond are as follows: **[Describe modification or enter “None”]**

SECTION 007213.12 - GENERAL CONDITIONS - EJCDC STIPULATED SUM (SINGLE-PRIME CONTRACT)

1.1 GENERAL CONDITIONS

- A. General Conditions of the Contract: EJCDC C-700 - Standard General Conditions of the Construction Contract.

1.2 SUPPLEMENTARY CONDITIONS

- A. Refer to Document 007314 - Supplementary Conditions - EJCDC for amendments and supplements to General Conditions.

END OF DOCUMENT 007213.12

**This page intentionally left blank.**

This document has important legal consequences; consultation with an attorney is encouraged with respect to its use or modification. This document should be adapted to the particular circumstances of the contemplated Project and the controlling Laws and Regulations.

## STANDARD GENERAL CONDITIONS OF THE CONSTRUCTION CONTRACT

Prepared By



Endorsed By



Copyright© 2018

National Society of Professional Engineers  
1420 King Street, Alexandria, VA 22314-2794  
(703) 684-2882  
[www.nspe.org](http://www.nspe.org)

American Council of Engineering Companies  
1015 15th Street N.W., Washington, DC 20005  
(202) 347-7474  
[www.acec.org](http://www.acec.org)

American Society of Civil Engineers  
1801 Alexander Bell Drive, Reston, VA 20191-4400  
(800) 548-2723  
[www.asce.org](http://www.asce.org)

The copyright for this EJCDC document is owned jointly by the three sponsoring organizations listed above. The National Society of Professional Engineers is the Copyright Administrator for the EJCDC documents; please direct all inquiries regarding EJCDC copyrights to NSPE.

NOTE: EJCDC publications may be purchased at [www.ejcdc.org](http://www.ejcdc.org), or from any of the sponsoring organizations above.

# STANDARD GENERAL CONDITIONS OF THE CONSTRUCTION CONTRACT

## TABLE OF CONTENTS

	Page
Article 1—Definitions and Terminology.....	1
1.01 Defined Terms.....	1
1.02 Terminology .....	6
Article 2—Preliminary Matters.....	7
2.01 Delivery of Performance and Payment Bonds; Evidence of Insurance.....	7
2.02 Copies of Documents .....	7
2.03 Before Starting Construction .....	8
2.04 Preconstruction Conference; Designation of Authorized Representatives.....	8
2.05 Acceptance of Schedules .....	8
2.06 Electronic Transmittals .....	9
Article 3—Contract Documents: Intent, Requirements, Reuse.....	9
3.01 Intent.....	9
3.02 Reference Standards.....	10
3.03 Reporting and Resolving Discrepancies .....	10
3.04 Requirements of the Contract Documents.....	11
3.05 Reuse of Documents .....	11
Article 4—Commencement and Progress of the Work .....	12
4.01 Commencement of Contract Times; Notice to Proceed.....	12
4.02 Starting the Work.....	12
4.03 Reference Points .....	12
4.04 Progress Schedule.....	12
4.05 Delays in Contractor’s Progress .....	12
Article 5—Site; Subsurface and Physical Conditions; Hazardous Environmental Conditions .....	14
5.01 Availability of Lands .....	14
5.02 Use of Site and Other Areas.....	14
5.03 Subsurface and Physical Conditions.....	15
5.04 Differing Subsurface or Physical Conditions .....	16

5.05	Underground Facilities.....	18
5.06	Hazardous Environmental Conditions at Site .....	19
Article 6—Bonds and Insurance.....		22
6.01	Performance, Payment, and Other Bonds.....	22
6.02	Insurance—General Provisions.....	22
6.03	Contractor’s Insurance.....	24
6.04	Builder’s Risk and Other Property Insurance.....	25
6.05	Property Losses; Subrogation .....	26
6.06	Receipt and Application of Property Insurance Proceeds .....	27
Article 7—Contractor’s Responsibilities .....		27
7.01	Contractor’s Means and Methods of Construction .....	27
7.02	Supervision and Superintendence .....	28
7.03	Labor; Working Hours .....	28
7.04	Services, Materials, and Equipment .....	28
7.05	“Or Equals”.....	29
7.06	Substitutes .....	30
7.07	Concerning Subcontractors and Suppliers.....	31
7.08	Patent Fees and Royalties.....	32
7.09	Permits .....	33
7.10	Taxes .....	33
7.11	Laws and Regulations.....	33
7.12	Record Documents.....	34
7.13	Safety and Protection .....	34
7.14	Hazard Communication Programs .....	35
7.15	Emergencies.....	35
7.16	Submittals .....	36
7.17	Contractor’s General Warranty and Guarantee .....	38
7.18	Indemnification .....	39
7.19	Delegation of Professional Design Services .....	40
Article 8—Other Work at the Site.....		41
8.01	Other Work .....	41
8.02	Coordination .....	41
8.03	Legal Relationships.....	42

Article 9—Owner’s Responsibilities .....	43
9.01 Communications to Contractor .....	43
9.02 Replacement of Engineer .....	43
9.03 Furnish Data .....	43
9.04 Pay When Due.....	43
9.05 Lands and Easements; Reports, Tests, and Drawings.....	43
9.06 Insurance.....	43
9.07 Change Orders .....	43
9.08 Inspections, Tests, and Approvals.....	44
9.09 Limitations on Owner’s Responsibilities .....	44
9.10 Undisclosed Hazardous Environmental Condition.....	44
9.11 Evidence of Financial Arrangements.....	44
9.12 Safety Programs .....	44
Article 10—Engineer’s Status During Construction .....	44
10.01 Owner’s Representative.....	44
10.02 Visits to Site.....	44
10.03 Resident Project Representative.....	45
10.04 Engineer’s Authority .....	45
10.05 Determinations for Unit Price Work .....	45
10.06 Decisions on Requirements of Contract Documents and Acceptability of Work .....	45
10.07 Limitations on Engineer’s Authority and Responsibilities .....	45
10.08 Compliance with Safety Program.....	46
Article 11—Changes to the Contract .....	46
11.01 Amending and Supplementing the Contract .....	46
11.02 Change Orders .....	46
11.03 Work Change Directives.....	47
11.04 Field Orders.....	47
11.05 Owner-Authorized Changes in the Work.....	47
11.06 Unauthorized Changes in the Work.....	48
11.07 Change of Contract Price .....	48
11.08 Change of Contract Times.....	49
11.09 Change Proposals.....	49
11.10 Notification to Surety.....	51



Article 12—Claims.....	51
12.01    Claims.....	51
Article 13—Cost of the Work; Allowances; Unit Price Work .....	52
13.01    Cost of the Work .....	52
13.02    Allowances .....	56
13.03    Unit Price Work.....	56
Article 14—Tests and Inspections; Correction, Removal, or Acceptance of Defective Work .....	57
14.01    Access to Work.....	57
14.02    Tests, Inspections, and Approvals.....	57
14.03    Defective Work .....	58
14.04    Acceptance of Defective Work.....	58
14.05    Uncovering Work .....	59
14.06    Owner May Stop the Work .....	59
14.07    Owner May Correct Defective Work.....	59
Article 15—Payments to Contractor; Set-Offs; Completion; Correction Period .....	60
15.01    Progress Payments.....	60
15.02    Contractor’s Warranty of Title .....	63
15.03    Substantial Completion.....	63
15.04    Partial Use or Occupancy .....	64
15.05    Final Inspection .....	65
15.06    Final Payment.....	65
15.07    Waiver of Claims .....	66
15.08    Correction Period .....	67
Article 16—Suspension of Work and Termination .....	68
16.01    Owner May Suspend Work .....	68
16.02    Owner May Terminate for Cause.....	68
16.03    Owner May Terminate for Convenience.....	69
16.04    Contractor May Stop Work or Terminate .....	69
Article 17—Final Resolution of Disputes .....	70
17.01    Methods and Procedures.....	70
Article 18—Miscellaneous .....	70
18.01    Giving Notice .....	70
18.02    Computation of Times.....	70

18.03	Cumulative Remedies .....	70
18.04	Limitation of Damages .....	71
18.05	No Waiver .....	71
18.06	Survival of Obligations .....	71
18.07	Controlling Law .....	71
18.08	Assignment of Contract.....	71
18.09	Successors and Assigns .....	71
18.10	Headings.....	71

# STANDARD GENERAL CONDITIONS OF THE CONSTRUCTION CONTRACT

## ARTICLE 1—DEFINITIONS AND TERMINOLOGY

### 1.01 *Defined Terms*

- A. Wherever used in the Bidding Requirements or Contract Documents, a term printed with initial capital letters, including the term's singular and plural forms, will have the meaning indicated in the definitions below. In addition to terms specifically defined, terms with initial capital letters in the Contract Documents include references to identified articles and paragraphs, and the titles of other documents or forms.
1. *Addenda*—Written or graphic instruments issued prior to the opening of Bids which clarify, correct, or change the Bidding Requirements or the proposed Contract Documents.
  2. *Agreement*—The written instrument, executed by Owner and Contractor, that sets forth the Contract Price and Contract Times, identifies the parties and the Engineer, and designates the specific items that are Contract Documents.
  3. *Application for Payment*—The document prepared by Contractor, in a form acceptable to Engineer, to request progress or final payments, and which is to be accompanied by such supporting documentation as is required by the Contract Documents.
  4. *Bid*—The offer of a Bidder submitted on the prescribed form setting forth the prices for the Work to be performed.
  5. *Bidder*—An individual or entity that submits a Bid to Owner.
  6. *Bidding Documents*—The Bidding Requirements, the proposed Contract Documents, and all Addenda.
  7. *Bidding Requirements*—The Advertisement or invitation to bid, Instructions to Bidders, Bid Bond or other Bid security, if any, the Bid Form, and the Bid with any attachments.
  8. *Change Order*—A document which is signed by Contractor and Owner and authorizes an addition, deletion, or revision in the Work or an adjustment in the Contract Price or the Contract Times, or other revision to the Contract, issued on or after the Effective Date of the Contract.
  9. *Change Proposal*—A written request by Contractor, duly submitted in compliance with the procedural requirements set forth herein, seeking an adjustment in Contract Price or Contract Times; contesting an initial decision by Engineer concerning the requirements of the Contract Documents or the acceptability of Work under the Contract Documents; challenging a set-off against payments due; or seeking other relief with respect to the terms of the Contract.
  10. *Claim*
    - a. A demand or assertion by Owner directly to Contractor, duly submitted in compliance with the procedural requirements set forth herein, seeking an adjustment of Contract Price or Contract Times; contesting an initial decision by

- Engineer concerning the requirements of the Contract Documents or the acceptability of Work under the Contract Documents; contesting Engineer's decision regarding a Change Proposal; seeking resolution of a contractual issue that Engineer has declined to address; or seeking other relief with respect to the terms of the Contract.
- b. A demand or assertion by Contractor directly to Owner, duly submitted in compliance with the procedural requirements set forth herein, contesting Engineer's decision regarding a Change Proposal, or seeking resolution of a contractual issue that Engineer has declined to address.
  - c. A demand or assertion by Owner or Contractor, duly submitted in compliance with the procedural requirements set forth herein, made pursuant to Paragraph 12.01.A.4, concerning disputes arising after Engineer has issued a recommendation of final payment.
  - d. A demand for money or services by a third party is not a Claim.
11. *Constituent of Concern*—Asbestos, petroleum, radioactive materials, polychlorinated biphenyls (PCBs), lead-based paint (as defined by the HUD/EPA standard), hazardous waste, and any substance, product, waste, or other material of any nature whatsoever that is or becomes listed, regulated, or addressed pursuant to Laws and Regulations regulating, relating to, or imposing liability or standards of conduct concerning, any hazardous, toxic, or dangerous waste, substance, or material.
12. *Contract*—The entire and integrated written contract between Owner and Contractor concerning the Work.
13. *Contract Documents*—Those items so designated in the Agreement, and which together comprise the Contract.
14. *Contract Price*—The money that Owner has agreed to pay Contractor for completion of the Work in accordance with the Contract Documents.
15. *Contract Times*—The number of days or the dates by which Contractor shall: (a) achieve Milestones, if any; (b) achieve Substantial Completion; and (c) complete the Work.
16. *Contractor*—The individual or entity with which Owner has contracted for performance of the Work.
17. *Cost of the Work*—See Paragraph 13.01 for definition.
18. *Drawings*—The part of the Contract that graphically shows the scope, extent, and character of the Work to be performed by Contractor.
19. *Effective Date of the Contract*—The date, indicated in the Agreement, on which the Contract becomes effective.
20. *Electronic Document*—Any Project-related correspondence, attachments to correspondence, data, documents, drawings, information, or graphics, including but not limited to Shop Drawings and other Submittals, that are in an electronic or digital format.
21. *Electronic Means*—Electronic mail (email), upload/download from a secure Project website, or other communications methods that allow: (a) the transmission or

communication of Electronic Documents; (b) the documentation of transmissions, including sending and receipt; (c) printing of the transmitted Electronic Document by the recipient; (d) the storage and archiving of the Electronic Document by sender and recipient; and (e) the use by recipient of the Electronic Document for purposes permitted by this Contract. Electronic Means does not include the use of text messaging, or of Facebook, Twitter, Instagram, or similar social media services for transmission of Electronic Documents.

22. *Engineer*—The individual or entity named as such in the Agreement.
23. *Field Order*—A written order issued by Engineer which requires minor changes in the Work but does not change the Contract Price or the Contract Times.
24. *Hazardous Environmental Condition*—The presence at the Site of Constituents of Concern in such quantities or circumstances that may present a danger to persons or property exposed thereto.
  - a. The presence at the Site of materials that are necessary for the execution of the Work, or that are to be incorporated into the Work, and that are controlled and contained pursuant to industry practices, Laws and Regulations, and the requirements of the Contract, is not a Hazardous Environmental Condition.
  - b. The presence of Constituents of Concern that are to be removed or remediated as part of the Work is not a Hazardous Environmental Condition.
  - c. The presence of Constituents of Concern as part of the routine, anticipated, and obvious working conditions at the Site, is not a Hazardous Environmental Condition.
25. *Laws and Regulations; Laws or Regulations*—Any and all applicable laws, statutes, rules, regulations, ordinances, codes, and binding decrees, resolutions, and orders of any and all governmental bodies, agencies, authorities, and courts having jurisdiction.
26. *Liens*—Charges, security interests, or encumbrances upon Contract-related funds, real property, or personal property.
27. *Milestone*—A principal event in the performance of the Work that the Contract requires Contractor to achieve by an intermediate completion date, or by a time prior to Substantial Completion of all the Work.
28. *Notice of Award*—The written notice by Owner to a Bidder of Owner’s acceptance of the Bid.
29. *Notice to Proceed*—A written notice by Owner to Contractor fixing the date on which the Contract Times will commence to run and on which Contractor shall start to perform the Work.
30. *Owner*—The individual or entity with which Contractor has contracted regarding the Work, and which has agreed to pay Contractor for the performance of the Work, pursuant to the terms of the Contract.
31. *Progress Schedule*—A schedule, prepared and maintained by Contractor, describing the sequence and duration of the activities comprising Contractor’s plan to accomplish the Work within the Contract Times.

32. *Project*—The total undertaking to be accomplished for Owner by engineers, contractors, and others, including planning, study, design, construction, testing, commissioning, and start-up, and of which the Work to be performed under the Contract Documents is a part.
33. *Resident Project Representative*—The authorized representative of Engineer assigned to assist Engineer at the Site. As used herein, the term Resident Project Representative (RPR) includes any assistants or field staff of Resident Project Representative.
34. *Samples*—Physical examples of materials, equipment, or workmanship that are representative of some portion of the Work and that establish the standards by which such portion of the Work will be judged.
35. *Schedule of Submittals*—A schedule, prepared and maintained by Contractor, of required submittals and the time requirements for Engineer’s review of the submittals.
36. *Schedule of Values*—A schedule, prepared and maintained by Contractor, allocating portions of the Contract Price to various portions of the Work and used as the basis for reviewing Contractor’s Applications for Payment.
37. *Shop Drawings*—All drawings, diagrams, illustrations, schedules, and other data or information that are specifically prepared or assembled by or for Contractor and submitted by Contractor to illustrate some portion of the Work. Shop Drawings, whether approved or not, are not Drawings and are not Contract Documents.
38. *Site*—Lands or areas indicated in the Contract Documents as being furnished by Owner upon which the Work is to be performed, including rights-of-way and easements, and such other lands or areas furnished by Owner which are designated for the use of Contractor.
39. *Specifications*—The part of the Contract that consists of written requirements for materials, equipment, systems, standards, and workmanship as applied to the Work, and certain administrative requirements and procedural matters applicable to the Work.
40. *Subcontractor*—An individual or entity having a direct contract with Contractor or with any other Subcontractor for the performance of a part of the Work.
41. *Submittal*—A written or graphic document, prepared by or for Contractor, which the Contract Documents require Contractor to submit to Engineer, or that is indicated as a Submittal in the Schedule of Submittals accepted by Engineer. Submittals may include Shop Drawings and Samples; schedules; product data; Owner-delegated designs; sustainable design information; information on special procedures; testing plans; results of tests and evaluations, source quality-control testing and inspections, and field or Site quality-control testing and inspections; warranties and certifications; Suppliers’ instructions and reports; records of delivery of spare parts and tools; operations and maintenance data; Project photographic documentation; record documents; and other such documents required by the Contract Documents. Submittals, whether or not approved or accepted by Engineer, are not Contract Documents. Change Proposals, Change Orders, Claims, notices, Applications for Payment, and requests for interpretation or clarification are not Submittals.
42. *Substantial Completion*—The time at which the Work (or a specified part thereof) has progressed to the point where, in the opinion of Engineer, the Work (or a specified part

thereof) is sufficiently complete, in accordance with the Contract Documents, so that the Work (or a specified part thereof) can be utilized for the purposes for which it is intended. The terms “substantially complete” and “substantially completed” as applied to all or part of the Work refer to Substantial Completion of such Work.

43. *Successful Bidder*—The Bidder to which the Owner makes an award of contract.
44. *Supplementary Conditions*—The part of the Contract that amends or supplements these General Conditions.
45. *Supplier*—A manufacturer, fabricator, supplier, distributor, or vendor having a direct contract with Contractor or with any Subcontractor to furnish materials or equipment to be incorporated in the Work by Contractor or a Subcontractor.
46. *Technical Data*
- a. Those items expressly identified as Technical Data in the Supplementary Conditions, with respect to either (1) existing subsurface conditions at or adjacent to the Site, or existing physical conditions at or adjacent to the Site including existing surface or subsurface structures (except Underground Facilities) or (2) Hazardous Environmental Conditions at the Site.
  - b. If no such express identifications of Technical Data have been made with respect to conditions at the Site, then Technical Data is defined, with respect to conditions at the Site under Paragraphs 5.03, 5.04, and 5.06, as the data contained in boring logs, recorded measurements of subsurface water levels, assessments of the condition of subsurface facilities, laboratory test results, and other factual, objective information regarding conditions at the Site that are set forth in any geotechnical, environmental, or other Site or facilities conditions report prepared for the Project and made available to Contractor.
  - c. Information and data regarding the presence or location of Underground Facilities are not intended to be categorized, identified, or defined as Technical Data, and instead Underground Facilities are shown or indicated on the Drawings.
47. *Underground Facilities*—All active or not-in-service underground lines, pipelines, conduits, ducts, encasements, cables, wires, manholes, vaults, tanks, tunnels, or other such facilities or systems at the Site, including but not limited to those facilities or systems that produce, transmit, distribute, or convey telephone or other communications, cable television, fiber optic transmissions, power, electricity, light, heat, gases, oil, crude oil products, liquid petroleum products, water, steam, waste, wastewater, storm water, other liquids or chemicals, or traffic or other control systems. An abandoned facility or system is not an Underground Facility.
48. *Unit Price Work*—Work to be paid for on the basis of unit prices.
49. *Work*—The entire construction or the various separately identifiable parts thereof required to be provided under the Contract Documents. Work includes and is the result of performing or providing all labor, services, and documentation necessary to produce such construction; furnishing, installing, and incorporating all materials and equipment into such construction; and may include related services such as testing, start-up, and commissioning, all as required by the Contract Documents.

50. *Work Change Directive*—A written directive to Contractor issued on or after the Effective Date of the Contract, signed by Owner and recommended by Engineer, ordering an addition, deletion, or revision in the Work.

## 1.02 Terminology

- A. The words and terms discussed in Paragraphs 1.02.B, C, D, and E are not defined terms that require initial capital letters, but, when used in the Bidding Requirements or Contract Documents, have the indicated meaning.
- B. *Intent of Certain Terms or Adjectives*: The Contract Documents include the terms “as allowed,” “as approved,” “as ordered,” “as directed” or terms of like effect or import to authorize an exercise of professional judgment by Engineer. In addition, the adjectives “reasonable,” “suitable,” “acceptable,” “proper,” “satisfactory,” or adjectives of like effect or import are used to describe an action or determination of Engineer as to the Work. It is intended that such exercise of professional judgment, action, or determination will be solely to evaluate, in general, the Work for compliance with the information in the Contract Documents and with the design concept of the Project as a functioning whole as shown or indicated in the Contract Documents (unless there is a specific statement indicating otherwise). The use of any such term or adjective is not intended to and shall not be effective to assign to Engineer any duty or authority to supervise or direct the performance of the Work, or any duty or authority to undertake responsibility contrary to the provisions of Article 10 or any other provision of the Contract Documents.
- C. *Day*: The word “day” means a calendar day of 24 hours measured from midnight to the next midnight.
- D. *Defective*: The word “defective,” when modifying the word “Work,” refers to Work that is unsatisfactory, faulty, or deficient in that it:
1. does not conform to the Contract Documents;
  2. does not meet the requirements of any applicable inspection, reference standard, test, or approval referred to in the Contract Documents; or
  3. has been damaged prior to Engineer’s recommendation of final payment (unless responsibility for the protection thereof has been assumed by Owner at Substantial Completion in accordance with Paragraph 15.03 or Paragraph 15.04).
- E. *Furnish, Install, Perform, Provide*
1. The word “furnish,” when used in connection with services, materials, or equipment, means to supply and deliver said services, materials, or equipment to the Site (or some other specified location) ready for use or installation and in usable or operable condition.
  2. The word “install,” when used in connection with services, materials, or equipment, means to put into use or place in final position said services, materials, or equipment complete and ready for intended use.
  3. The words “perform” or “provide,” when used in connection with services, materials, or equipment, means to furnish and install said services, materials, or equipment complete and ready for intended use.



4. If the Contract Documents establish an obligation of Contractor with respect to specific services, materials, or equipment, but do not expressly use any of the four words “furnish,” “install,” “perform,” or “provide,” then Contractor shall furnish and install said services, materials, or equipment complete and ready for intended use.
- F. *Contract Price or Contract Times*: References to a change in “Contract Price or Contract Times” or “Contract Times or Contract Price” or similar, indicate that such change applies to (1) Contract Price, (2) Contract Times, or (3) both Contract Price and Contract Times, as warranted, even if the term “or both” is not expressed.
- G. Unless stated otherwise in the Contract Documents, words or phrases that have a well-known technical or construction industry or trade meaning are used in the Contract Documents in accordance with such recognized meaning.

## **ARTICLE 2—PRELIMINARY MATTERS**

### **2.01 *Delivery of Performance and Payment Bonds; Evidence of Insurance***

- A. *Performance and Payment Bonds*: When Contractor delivers the signed counterparts of the Agreement to Owner, Contractor shall also deliver to Owner the performance bond and payment bond (if the Contract requires Contractor to furnish such bonds).
- B. *Evidence of Contractor’s Insurance*: When Contractor delivers the signed counterparts of the Agreement to Owner, Contractor shall also deliver to Owner, with copies to each additional insured (as identified in the Contract), the certificates, endorsements, and other evidence of insurance required to be provided by Contractor in accordance with Article 6, except to the extent the Supplementary Conditions expressly establish other dates for delivery of specific insurance policies.
- C. *Evidence of Owner’s Insurance*: After receipt of the signed counterparts of the Agreement and all required bonds and insurance documentation, Owner shall promptly deliver to Contractor, with copies to each additional insured (as identified in the Contract), the certificates and other evidence of insurance required to be provided by Owner under Article 6.

### **2.02 *Copies of Documents***

- A. Owner shall furnish to Contractor four printed copies of the Contract (including one fully signed counterpart of the Agreement), and one copy in electronic portable document format (PDF). Additional printed copies will be furnished upon request at the cost of reproduction.
- B. Owner shall maintain and safeguard at least one original printed record version of the Contract, including Drawings and Specifications signed and sealed by Engineer and other design professionals. Owner shall make such original printed record version of the Contract available to Contractor for review. Owner may delegate the responsibilities under this provision to Engineer.

### 2.03 *Before Starting Construction*

- A. *Preliminary Schedules:* Within 10 days after the Effective Date of the Contract (or as otherwise required by the Contract Documents), Contractor shall submit to Engineer for timely review:
1. a preliminary Progress Schedule indicating the times (numbers of days or dates) for starting and completing the various stages of the Work, including any Milestones specified in the Contract;
  2. a preliminary Schedule of Submittals; and
  3. a preliminary Schedule of Values for all of the Work which includes quantities and prices of items which when added together equal the Contract Price and subdivides the Work into component parts in sufficient detail to serve as the basis for progress payments during performance of the Work. Such prices will include an appropriate amount of overhead and profit applicable to each item of Work.

### 2.04 *Preconstruction Conference; Designation of Authorized Representatives*

- A. Before any Work at the Site is started, a conference attended by Owner, Contractor, Engineer, and others as appropriate will be held to establish a working understanding among the parties as to the Work, and to discuss the schedules referred to in Paragraph 2.03.A, procedures for handling Shop Drawings, Samples, and other Submittals, processing Applications for Payment, electronic or digital transmittals, and maintaining required records.
- B. At this conference Owner and Contractor each shall designate, in writing, a specific individual to act as its authorized representative with respect to the services and responsibilities under the Contract. Such individuals shall have the authority to transmit and receive information, render decisions relative to the Contract, and otherwise act on behalf of each respective party.

### 2.05 *Acceptance of Schedules*

- A. At least 10 days before submission of the first Application for Payment a conference, attended by Contractor, Engineer, and others as appropriate, will be held to review the schedules submitted in accordance with Paragraph 2.03.A. No progress payment will be made to Contractor until acceptable schedules are submitted to Engineer.
1. The Progress Schedule will be acceptable to Engineer if it provides an orderly progression of the Work to completion within the Contract Times. Such acceptance will not impose on Engineer responsibility for the Progress Schedule, for sequencing, scheduling, or progress of the Work, nor interfere with or relieve Contractor from Contractor's full responsibility therefor.
  2. Contractor's Schedule of Submittals will be acceptable to Engineer if it provides a workable arrangement for reviewing and processing the required submittals.
  3. Contractor's Schedule of Values will be acceptable to Engineer as to form and substance if it provides a reasonable allocation of the Contract Price to the component parts of the Work.
  4. If a schedule is not acceptable, Contractor will have an additional 10 days to revise and resubmit the schedule.

2.06 *Electronic Transmittals*

- A. Except as otherwise stated elsewhere in the Contract, the Owner, Engineer, and Contractor may send, and shall accept, Electronic Documents transmitted by Electronic Means.
- B. If the Contract does not establish protocols for Electronic Means, then Owner, Engineer, and Contractor shall jointly develop such protocols.
- C. Subject to any governing protocols for Electronic Means, when transmitting Electronic Documents by Electronic Means, the transmitting party makes no representations as to long-term compatibility, usability, or readability of the Electronic Documents resulting from the recipient's use of software application packages, operating systems, or computer hardware differing from those used in the drafting or transmittal of the Electronic Documents.

**ARTICLE 3—CONTRACT DOCUMENTS: INTENT, REQUIREMENTS, REUSE**

3.01 *Intent*

- A. The Contract Documents are complementary; what is required by one Contract Document is as binding as if required by all.
- B. It is the intent of the Contract Documents to describe a functionally complete Project (or part thereof) to be constructed in accordance with the Contract Documents.
- C. Unless otherwise stated in the Contract Documents, if there is a discrepancy between the electronic versions of the Contract Documents (including any printed copies derived from such electronic versions) and the printed record version, the printed record version will govern.
- D. The Contract supersedes prior negotiations, representations, and agreements, whether written or oral.
- E. Engineer will issue clarifications and interpretations of the Contract Documents as provided herein.
- F. Any provision or part of the Contract Documents held to be void or unenforceable under any Law or Regulation will be deemed stricken, and all remaining provisions will continue to be valid and binding upon Owner and Contractor, which agree that the Contract Documents will be reformed to replace such stricken provision or part thereof with a valid and enforceable provision that comes as close as possible to expressing the intention of the stricken provision.
- G. Nothing in the Contract Documents creates:
  - 1. any contractual relationship between Owner or Engineer and any Subcontractor, Supplier, or other individual or entity performing or furnishing any of the Work, for the benefit of such Subcontractor, Supplier, or other individual or entity; or
  - 2. any obligation on the part of Owner or Engineer to pay or to see to the payment of any money due any such Subcontractor, Supplier, or other individual or entity, except as may otherwise be required by Laws and Regulations.

### 3.02 *Reference Standards*

#### A. *Standards Specifications, Codes, Laws and Regulations*

1. Reference in the Contract Documents to standard specifications, manuals, reference standards, or codes of any technical society, organization, or association, or to Laws or Regulations, whether such reference be specific or by implication, means the standard specification, manual, reference standard, code, or Laws or Regulations in effect at the time of opening of Bids (or on the Effective Date of the Contract if there were no Bids), except as may be otherwise specifically stated in the Contract Documents.
2. No provision of any such standard specification, manual, reference standard, or code, and no instruction of a Supplier, will be effective to change the duties or responsibilities of Owner, Contractor, or Engineer from those set forth in the part of the Contract Documents prepared by or for Engineer. No such provision or instruction shall be effective to assign to Owner or Engineer any duty or authority to supervise or direct the performance of the Work, or any duty or authority to undertake responsibility inconsistent with the provisions of the part of the Contract Documents prepared by or for Engineer.

### 3.03 *Reporting and Resolving Discrepancies*

#### A. *Reporting Discrepancies*

1. *Contractor's Verification of Figures and Field Measurements:* Before undertaking each part of the Work, Contractor shall carefully study the Contract Documents, and check and verify pertinent figures and dimensions therein, particularly with respect to applicable field measurements. Contractor shall promptly report in writing to Engineer any conflict, error, ambiguity, or discrepancy that Contractor discovers, or has actual knowledge of, and shall not proceed with any Work affected thereby until the conflict, error, ambiguity, or discrepancy is resolved by a clarification or interpretation by Engineer, or by an amendment or supplement to the Contract issued pursuant to Paragraph 11.01.
2. *Contractor's Review of Contract Documents:* If, before or during the performance of the Work, Contractor discovers any conflict, error, ambiguity, or discrepancy within the Contract Documents, or between the Contract Documents and (a) any applicable Law or Regulation, (b) actual field conditions, (c) any standard specification, manual, reference standard, or code, or (d) any instruction of any Supplier, then Contractor shall promptly report it to Engineer in writing. Contractor shall not proceed with the Work affected thereby (except in an emergency as required by Paragraph 7.15) until the conflict, error, ambiguity, or discrepancy is resolved, by a clarification or interpretation by Engineer, or by an amendment or supplement to the Contract issued pursuant to Paragraph 11.01.
3. Contractor shall not be liable to Owner or Engineer for failure to report any conflict, error, ambiguity, or discrepancy in the Contract Documents unless Contractor had actual knowledge thereof.

#### B. *Resolving Discrepancies*

1. Except as may be otherwise specifically stated in the Contract Documents, the provisions of the part of the Contract Documents prepared by or for Engineer take

precedence in resolving any conflict, error, ambiguity, or discrepancy between such provisions of the Contract Documents and:

- a. the provisions of any standard specification, manual, reference standard, or code, or the instruction of any Supplier (whether or not specifically incorporated by reference as a Contract Document); or
- b. the provisions of any Laws or Regulations applicable to the performance of the Work (unless such an interpretation of the provisions of the Contract Documents would result in violation of such Law or Regulation).

#### 3.04 *Requirements of the Contract Documents*

- A. During the performance of the Work and until final payment, Contractor and Owner shall submit to the Engineer in writing all matters in question concerning the requirements of the Contract Documents (sometimes referred to as requests for information or interpretation—RFIs), or relating to the acceptability of the Work under the Contract Documents, as soon as possible after such matters arise. Engineer will be the initial interpreter of the requirements of the Contract Documents, and judge of the acceptability of the Work.
- B. Engineer will, with reasonable promptness, render a written clarification, interpretation, or decision on the issue submitted, or initiate an amendment or supplement to the Contract Documents. Engineer's written clarification, interpretation, or decision will be final and binding on Contractor, unless it appeals by submitting a Change Proposal, and on Owner, unless it appeals by filing a Claim.
- C. If a submitted matter in question concerns terms and conditions of the Contract Documents that do not involve (1) the performance or acceptability of the Work under the Contract Documents, (2) the design (as set forth in the Drawings, Specifications, or otherwise), or (3) other engineering or technical matters, then Engineer will promptly notify Owner and Contractor in writing that Engineer is unable to provide a decision or interpretation. If Owner and Contractor are unable to agree on resolution of such a matter in question, either party may pursue resolution as provided in Article 12.

#### 3.05 *Reuse of Documents*

- A. Contractor and its Subcontractors and Suppliers shall not:
  1. have or acquire any title to or ownership rights in any of the Drawings, Specifications, or other documents (or copies of any thereof) prepared by or bearing the seal of Engineer or its consultants, including electronic media versions, or reuse any such Drawings, Specifications, other documents, or copies thereof on extensions of the Project or any other project without written consent of Owner and Engineer and specific written verification or adaptation by Engineer; or
  2. have or acquire any title or ownership rights in any other Contract Documents, reuse any such Contract Documents for any purpose without Owner's express written consent, or violate any copyrights pertaining to such Contract Documents.
- B. The prohibitions of this Paragraph 3.05 will survive final payment, or termination of the Contract. Nothing herein precludes Contractor from retaining copies of the Contract Documents for record purposes.

## ARTICLE 4—COMMENCEMENT AND PROGRESS OF THE WORK

### 4.01 *Commencement of Contract Times; Notice to Proceed*

- A. The Contract Times will commence to run on the 30th day after the Effective Date of the Contract or, if a Notice to Proceed is given, on the day indicated in the Notice to Proceed. A Notice to Proceed may be given at any time within 30 days after the Effective Date of the Contract. In no event will the Contract Times commence to run later than the 60th day after the day of Bid opening or the 30th day after the Effective Date of the Contract, whichever date is earlier.

### 4.02 *Starting the Work*

- A. Contractor shall start to perform the Work on the date when the Contract Times commence to run. No Work may be done at the Site prior to such date.

### 4.03 *Reference Points*

- A. Owner shall provide engineering surveys to establish reference points for construction which in Engineer's judgment are necessary to enable Contractor to proceed with the Work. Contractor shall be responsible for laying out the Work, shall protect and preserve the established reference points and property monuments, and shall make no changes or relocations without the prior written approval of Owner. Contractor shall report to Engineer whenever any reference point or property monument is lost or destroyed or requires relocation because of necessary changes in grades or locations, and shall be responsible for the accurate replacement or relocation of such reference points or property monuments by professionally qualified personnel.

### 4.04 *Progress Schedule*

- A. Contractor shall adhere to the Progress Schedule established in accordance with Paragraph 2.05 as it may be adjusted from time to time as provided below.
  - 1. Contractor shall submit to Engineer for acceptance (to the extent indicated in Paragraph 2.05) proposed adjustments in the Progress Schedule that will not result in changing the Contract Times.
  - 2. Proposed adjustments in the Progress Schedule that will change the Contract Times must be submitted in accordance with the requirements of Article 11.
- B. Contractor shall carry on the Work and adhere to the Progress Schedule during all disputes or disagreements with Owner. No Work will be delayed or postponed pending resolution of any disputes or disagreements, or during any appeal process, except as permitted by Paragraph 16.04, or as Owner and Contractor may otherwise agree in writing.

### 4.05 *Delays in Contractor's Progress*

- A. If Owner, Engineer, or anyone for whom Owner is responsible, delays, disrupts, or interferes with the performance or progress of the Work, then Contractor shall be entitled to an equitable adjustment in Contract Price or Contract Times.
- B. Contractor shall not be entitled to an adjustment in Contract Price or Contract Times for delay, disruption, or interference caused by or within the control of Contractor. Delay, disruption, and interference attributable to and within the control of a Subcontractor or Supplier shall be deemed to be within the control of Contractor.

- C. If Contractor's performance or progress is delayed, disrupted, or interfered with by unanticipated causes not the fault of and beyond the control of Owner, Contractor, and those for which they are responsible, then Contractor shall be entitled to an equitable adjustment in Contract Times. Such an adjustment will be Contractor's sole and exclusive remedy for the delays, disruption, and interference described in this paragraph. Causes of delay, disruption, or interference that may give rise to an adjustment in Contract Times under this paragraph include but are not limited to the following:
1. Severe and unavoidable natural catastrophes such as fires, floods, epidemics, and earthquakes;
  2. Abnormal weather conditions;
  3. Acts or failures to act of third-party utility owners or other third-party entities (other than those third-party utility owners or other third-party entities performing other work at or adjacent to the Site as arranged by or under contract with Owner, as contemplated in Article 8); and
  4. Acts of war or terrorism.
- D. Contractor's entitlement to an adjustment of Contract Times or Contract Price is limited as follows:
1. Contractor's entitlement to an adjustment of the Contract Times is conditioned on the delay, disruption, or interference adversely affecting an activity on the critical path to completion of the Work, as of the time of the delay, disruption, or interference.
  2. Contractor shall not be entitled to an adjustment in Contract Price for any delay, disruption, or interference if such delay is concurrent with a delay, disruption, or interference caused by or within the control of Contractor. Such a concurrent delay by Contractor shall not preclude an adjustment of Contract Times to which Contractor is otherwise entitled.
  3. Adjustments of Contract Times or Contract Price are subject to the provisions of Article 11.
- E. Each Contractor request or Change Proposal seeking an increase in Contract Times or Contract Price must be supplemented by supporting data that sets forth in detail the following:
1. The circumstances that form the basis for the requested adjustment;
  2. The date upon which each cause of delay, disruption, or interference began to affect the progress of the Work;
  3. The date upon which each cause of delay, disruption, or interference ceased to affect the progress of the Work;
  4. The number of days' increase in Contract Times claimed as a consequence of each such cause of delay, disruption, or interference; and
  5. The impact on Contract Price, in accordance with the provisions of Paragraph 11.07.

Contractor shall also furnish such additional supporting documentation as Owner or Engineer may require including, where appropriate, a revised progress schedule indicating all the activities affected by the delay, disruption, or interference, and an explanation of the

effect of the delay, disruption, or interference on the critical path to completion of the Work.

- F. Delays, disruption, and interference to the performance or progress of the Work resulting from the existence of a differing subsurface or physical condition, an Underground Facility that was not shown or indicated by the Contract Documents, or not shown or indicated with reasonable accuracy, and those resulting from Hazardous Environmental Conditions, are governed by Article 5, together with the provisions of Paragraphs 4.05.D and 4.05.E.
- G. Paragraph 8.03 addresses delays, disruption, and interference to the performance or progress of the Work resulting from the performance of certain other work at or adjacent to the Site.

## **ARTICLE 5—SITE; SUBSURFACE AND PHYSICAL CONDITIONS; HAZARDOUS ENVIRONMENTAL CONDITIONS**

### **5.01 *Availability of Lands***

- A. Owner shall furnish the Site. Owner shall notify Contractor in writing of any encumbrances or restrictions not of general application but specifically related to use of the Site with which Contractor must comply in performing the Work.
- B. Upon reasonable written request, Owner shall furnish Contractor with a current statement of record legal title and legal description of the lands upon which permanent improvements are to be made and Owner's interest therein as necessary for giving notice of or filing a mechanic's or construction lien against such lands in accordance with applicable Laws and Regulations.
- C. Contractor shall provide for all additional lands and access thereto that may be required for temporary construction facilities or storage of materials and equipment.

### **5.02 *Use of Site and Other Areas***

#### **A. *Limitation on Use of Site and Other Areas***

- 1. Contractor shall confine construction equipment, temporary construction facilities, the storage of materials and equipment, and the operations of workers to the Site, adjacent areas that Contractor has arranged to use through construction easements or otherwise, and other adjacent areas permitted by Laws and Regulations, and shall not unreasonably encumber the Site and such other adjacent areas with construction equipment or other materials or equipment. Contractor shall assume full responsibility for (a) damage to the Site; (b) damage to any such other adjacent areas used for Contractor's operations; (c) damage to any other adjacent land or areas, or to improvements, structures, utilities, or similar facilities located at such adjacent lands or areas; and (d) for injuries and losses sustained by the owners or occupants of any such land or areas; provided that such damage or injuries result from the performance of the Work or from other actions or conduct of the Contractor or those for which Contractor is responsible.
- 2. If a damage or injury claim is made by the owner or occupant of any such land or area because of the performance of the Work, or because of other actions or conduct of the Contractor or those for which Contractor is responsible, Contractor shall (a) take immediate corrective or remedial action as required by Paragraph 7.13, or otherwise;



(b) promptly attempt to settle the claim as to all parties through negotiations with such owner or occupant, or otherwise resolve the claim by arbitration or other dispute resolution proceeding, or in a court of competent jurisdiction; and (c) to the fullest extent permitted by Laws and Regulations, indemnify and hold harmless Owner and Engineer, and the officers, directors, members, partners, employees, agents, consultants and subcontractors of each and any of them, from and against any such claim, and against all costs, losses, and damages (including but not limited to all fees and charges of engineers, architects, attorneys, and other professionals and all court or arbitration or other dispute resolution costs) arising out of or relating to any claim or action, legal or equitable, brought by any such owner or occupant against Owner, Engineer, or any other party indemnified hereunder to the extent caused directly or indirectly, in whole or in part by, or based upon, Contractor's performance of the Work, or because of other actions or conduct of the Contractor or those for which Contractor is responsible.

- B. *Removal of Debris During Performance of the Work:* During the progress of the Work the Contractor shall keep the Site and other adjacent areas free from accumulations of waste materials, rubbish, and other debris. Removal and disposal of such waste materials, rubbish, and other debris will conform to applicable Laws and Regulations.
- C. *Cleaning:* Prior to Substantial Completion of the Work Contractor shall clean the Site and the Work and make it ready for utilization by Owner. At the completion of the Work Contractor shall remove from the Site and adjacent areas all tools, appliances, construction equipment and machinery, and surplus materials and shall restore to original condition all property not designated for alteration by the Contract Documents.
- D. *Loading of Structures:* Contractor shall not load nor permit any part of any structure to be loaded in any manner that will endanger the structure, nor shall Contractor subject any part of the Work or adjacent structures or land to stresses or pressures that will endanger them.

### 5.03 *Subsurface and Physical Conditions*

- A. *Reports and Drawings:* The Supplementary Conditions identify:
  - 1. Those reports of explorations and tests of subsurface conditions at or adjacent to the Site that contain Technical Data;
  - 2. Those drawings of existing physical conditions at or adjacent to the Site, including those drawings depicting existing surface or subsurface structures at or adjacent to the Site (except Underground Facilities), that contain Technical Data; and
  - 3. Technical Data contained in such reports and drawings.
- B. *Underground Facilities:* Underground Facilities are shown or indicated on the Drawings, pursuant to Paragraph 5.05, and not in the drawings referred to in Paragraph 5.03.A. Information and data regarding the presence or location of Underground Facilities are not intended to be categorized, identified, or defined as Technical Data.
- C. *Reliance by Contractor on Technical Data:* Contractor may rely upon the accuracy of the Technical Data expressly identified in the Supplementary Conditions with respect to such reports and drawings, but such reports and drawings are not Contract Documents. If no such express identification has been made, then Contractor may rely upon the accuracy of the Technical Data as defined in Paragraph 1.01.A.46.b.

- D. *Limitations of Other Data and Documents:* Except for such reliance on Technical Data, Contractor may not rely upon or make any claim against Owner or Engineer, or any of their officers, directors, members, partners, employees, agents, consultants, or subcontractors, with respect to:
1. the completeness of such reports and drawings for Contractor's purposes, including, but not limited to, any aspects of the means, methods, techniques, sequences, and procedures of construction to be employed by Contractor, and safety precautions and programs incident thereto;
  2. other data, interpretations, opinions, and information contained in such reports or shown or indicated in such drawings;
  3. the contents of other Site-related documents made available to Contractor, such as record drawings from other projects at or adjacent to the Site, or Owner's archival documents concerning the Site; or
  4. any Contractor interpretation of or conclusion drawn from any Technical Data or any such other data, interpretations, opinions, or information.

5.04 *Differing Subsurface or Physical Conditions*

- A. *Notice by Contractor:* If Contractor believes that any subsurface or physical condition that is uncovered or revealed at the Site:
1. is of such a nature as to establish that any Technical Data on which Contractor is entitled to rely as provided in Paragraph 5.03 is materially inaccurate;
  2. is of such a nature as to require a change in the Drawings or Specifications;
  3. differs materially from that shown or indicated in the Contract Documents; or
  4. is of an unusual nature, and differs materially from conditions ordinarily encountered and generally recognized as inherent in work of the character provided for in the Contract Documents;

then Contractor shall, promptly after becoming aware thereof and before further disturbing the subsurface or physical conditions or performing any Work in connection therewith (except in an emergency as required by Paragraph 7.15), notify Owner and Engineer in writing about such condition. Contractor shall not further disturb such condition or perform any Work in connection therewith (except with respect to an emergency) until receipt of a written statement permitting Contractor to do so.

- B. *Engineer's Review:* After receipt of written notice as required by the preceding paragraph, Engineer will promptly review the subsurface or physical condition in question; determine whether it is necessary for Owner to obtain additional exploration or tests with respect to the condition; conclude whether the condition falls within any one or more of the differing site condition categories in Paragraph 5.04.A; obtain any pertinent cost or schedule information from Contractor; prepare recommendations to Owner regarding the Contractor's resumption of Work in connection with the subsurface or physical condition in question and the need for any change in the Drawings or Specifications; and advise Owner in writing of Engineer's findings, conclusions, and recommendations.
- C. *Owner's Statement to Contractor Regarding Site Condition:* After receipt of Engineer's written findings, conclusions, and recommendations, Owner shall issue a written statement

to Contractor (with a copy to Engineer) regarding the subsurface or physical condition in question, addressing the resumption of Work in connection with such condition, indicating whether any change in the Drawings or Specifications will be made, and adopting or rejecting Engineer's written findings, conclusions, and recommendations, in whole or in part.

D. *Early Resumption of Work*: If at any time Engineer determines that Work in connection with the subsurface or physical condition in question may resume prior to completion of Engineer's review or Owner's issuance of its statement to Contractor, because the condition in question has been adequately documented, and analyzed on a preliminary basis, then the Engineer may at its discretion instruct Contractor to resume such Work.

E. *Possible Price and Times Adjustments*

1. Contractor shall be entitled to an equitable adjustment in Contract Price or Contract Times, to the extent that the existence of a differing subsurface or physical condition, or any related delay, disruption, or interference, causes an increase or decrease in Contractor's cost of, or time required for, performance of the Work; subject, however, to the following:

- a. Such condition must fall within any one or more of the categories described in Paragraph 5.04.A;
- b. With respect to Work that is paid for on a unit price basis, any adjustment in Contract Price will be subject to the provisions of Paragraph 13.03; and,
- c. Contractor's entitlement to an adjustment of the Contract Times is subject to the provisions of Paragraphs 4.05.D and 4.05.E.

2. Contractor shall not be entitled to any adjustment in the Contract Price or Contract Times with respect to a subsurface or physical condition if:

- a. Contractor knew of the existence of such condition at the time Contractor made a commitment to Owner with respect to Contract Price and Contract Times by the submission of a Bid or becoming bound under a negotiated contract, or otherwise;
- b. The existence of such condition reasonably could have been discovered or revealed as a result of any examination, investigation, exploration, test, or study of the Site and contiguous areas expressly required by the Bidding Requirements or Contract Documents to be conducted by or for Contractor prior to Contractor's making such commitment; or
- c. Contractor failed to give the written notice required by Paragraph 5.04.A.

3. If Owner and Contractor agree regarding Contractor's entitlement to and the amount or extent of any adjustment in the Contract Price or Contract Times, then any such adjustment will be set forth in a Change Order.

4. Contractor may submit a Change Proposal regarding its entitlement to or the amount or extent of any adjustment in the Contract Price or Contract Times, no later than 30 days after Owner's issuance of the Owner's written statement to Contractor regarding the subsurface or physical condition in question.

F. *Underground Facilities; Hazardous Environmental Conditions*: Paragraph 5.05 governs rights and responsibilities regarding the presence or location of Underground Facilities.

Paragraph 5.06 governs rights and responsibilities regarding Hazardous Environmental Conditions. The provisions of Paragraphs 5.03 and 5.04 are not applicable to the presence or location of Underground Facilities, or to Hazardous Environmental Conditions.

5.05 *Underground Facilities*

- A. *Contractor's Responsibilities:* Unless it is otherwise expressly provided in the Supplementary Conditions, the cost of all of the following are included in the Contract Price, and Contractor shall have full responsibility for:
1. reviewing and checking all information and data regarding existing Underground Facilities at the Site;
  2. complying with applicable state and local utility damage prevention Laws and Regulations;
  3. verifying the actual location of those Underground Facilities shown or indicated in the Contract Documents as being within the area affected by the Work, by exposing such Underground Facilities during the course of construction;
  4. coordination of the Work with the owners (including Owner) of such Underground Facilities, during construction; and
  5. the safety and protection of all existing Underground Facilities at the Site, and repairing any damage thereto resulting from the Work.
- B. *Notice by Contractor:* If Contractor believes that an Underground Facility that is uncovered or revealed at the Site was not shown or indicated on the Drawings, or was not shown or indicated on the Drawings with reasonable accuracy, then Contractor shall, promptly after becoming aware thereof and before further disturbing conditions affected thereby or performing any Work in connection therewith (except in an emergency as required by Paragraph 7.15), notify Owner and Engineer in writing regarding such Underground Facility.
- C. *Engineer's Review:* Engineer will:
1. promptly review the Underground Facility and conclude whether such Underground Facility was not shown or indicated on the Drawings, or was not shown or indicated with reasonable accuracy;
  2. identify and communicate with the owner of the Underground Facility; prepare recommendations to Owner (and if necessary issue any preliminary instructions to Contractor) regarding the Contractor's resumption of Work in connection with the Underground Facility in question;
  3. obtain any pertinent cost or schedule information from Contractor; determine the extent, if any, to which a change is required in the Drawings or Specifications to reflect and document the consequences of the existence or location of the Underground Facility; and
  4. advise Owner in writing of Engineer's findings, conclusions, and recommendations.
- During such time, Contractor shall be responsible for the safety and protection of such Underground Facility.
- D. *Owner's Statement to Contractor Regarding Underground Facility:* After receipt of Engineer's written findings, conclusions, and recommendations, Owner shall issue a written

statement to Contractor (with a copy to Engineer) regarding the Underground Facility in question addressing the resumption of Work in connection with such Underground Facility, indicating whether any change in the Drawings or Specifications will be made, and adopting or rejecting Engineer's written findings, conclusions, and recommendations in whole or in part.

E. *Early Resumption of Work*: If at any time Engineer determines that Work in connection with the Underground Facility may resume prior to completion of Engineer's review or Owner's issuance of its statement to Contractor, because the Underground Facility in question and conditions affected by its presence have been adequately documented, and analyzed on a preliminary basis, then the Engineer may at its discretion instruct Contractor to resume such Work.

F. *Possible Price and Times Adjustments*

1. Contractor shall be entitled to an equitable adjustment in the Contract Price or Contract Times, to the extent that any existing Underground Facility at the Site that was not shown or indicated on the Drawings, or was not shown or indicated with reasonable accuracy, or any related delay, disruption, or interference, causes an increase or decrease in Contractor's cost of, or time required for, performance of the Work; subject, however, to the following:
  - a. With respect to Work that is paid for on a unit price basis, any adjustment in Contract Price will be subject to the provisions of Paragraph 13.03;
  - b. Contractor's entitlement to an adjustment of the Contract Times is subject to the provisions of Paragraphs 4.05.D and 4.05.E; and
  - c. Contractor gave the notice required in Paragraph 5.05.B.
2. If Owner and Contractor agree regarding Contractor's entitlement to and the amount or extent of any adjustment in the Contract Price or Contract Times, then any such adjustment will be set forth in a Change Order.
3. Contractor may submit a Change Proposal regarding its entitlement to or the amount or extent of any adjustment in the Contract Price or Contract Times, no later than 30 days after Owner's issuance of the Owner's written statement to Contractor regarding the Underground Facility in question.
4. The information and data shown or indicated on the Drawings with respect to existing Underground Facilities at the Site is based on information and data (a) furnished by the owners of such Underground Facilities, or by others, (b) obtained from available records, or (c) gathered in an investigation conducted in accordance with the current edition of ASCE 38, Standard Guideline for the Collection and Depiction of Existing Subsurface Utility Data, by the American Society of Civil Engineers. If such information or data is incorrect or incomplete, Contractor's remedies are limited to those set forth in this Paragraph 5.05.F.

#### 5.06 *Hazardous Environmental Conditions at Site*

A. *Reports and Drawings*: The Supplementary Conditions identify:

1. those reports known to Owner relating to Hazardous Environmental Conditions that have been identified at or adjacent to the Site;

2. drawings known to Owner relating to Hazardous Environmental Conditions that have been identified at or adjacent to the Site; and
  3. Technical Data contained in such reports and drawings.
- B. *Reliance by Contractor on Technical Data Authorized:* Contractor may rely upon the accuracy of the Technical Data expressly identified in the Supplementary Conditions with respect to such reports and drawings, but such reports and drawings are not Contract Documents. If no such express identification has been made, then Contractor may rely on the accuracy of the Technical Data as defined in Paragraph 1.01.A.46.b. Except for such reliance on Technical Data, Contractor may not rely upon or make any claim against Owner or Engineer, or any of their officers, directors, members, partners, employees, agents, consultants, or subcontractors, with respect to:
1. the completeness of such reports and drawings for Contractor's purposes, including, but not limited to, any aspects of the means, methods, techniques, sequences and procedures of construction to be employed by Contractor, and safety precautions and programs incident thereto;
  2. other data, interpretations, opinions, and information contained in such reports or shown or indicated in such drawings; or
  3. any Contractor interpretation of or conclusion drawn from any Technical Data or any such other data, interpretations, opinions or information.
- C. Contractor shall not be responsible for removing or remediating any Hazardous Environmental Condition encountered, uncovered, or revealed at the Site unless such removal or remediation is expressly identified in the Contract Documents to be within the scope of the Work.
- D. Contractor shall be responsible for controlling, containing, and duly removing all Constituents of Concern brought to the Site by Contractor, Subcontractors, Suppliers, or anyone else for whom Contractor is responsible, and for any associated costs; and for the costs of removing and remediating any Hazardous Environmental Condition created by the presence of any such Constituents of Concern.
- E. If Contractor encounters, uncovers, or reveals a Hazardous Environmental Condition whose removal or remediation is not expressly identified in the Contract Documents as being within the scope of the Work, or if Contractor or anyone for whom Contractor is responsible creates a Hazardous Environmental Condition, then Contractor shall immediately: (1) secure or otherwise isolate such condition; (2) stop all Work in connection with such condition and in any area affected thereby (except in an emergency as required by Paragraph 7.15); and (3) notify Owner and Engineer (and promptly thereafter confirm such notice in writing). Owner shall promptly consult with Engineer concerning the necessity for Owner to retain a qualified expert to evaluate such condition or take corrective action, if any. Promptly after consulting with Engineer, Owner shall take such actions as are necessary to permit Owner to timely obtain required permits and provide Contractor the written notice required by Paragraph 5.06.F. If Contractor or anyone for whom Contractor is responsible created the Hazardous Environmental Condition in question, then Owner may remove and remediate the Hazardous Environmental Condition, and impose a set-off against payments to account for the associated costs.

- F. Contractor shall not resume Work in connection with such Hazardous Environmental Condition or in any affected area until after Owner has obtained any required permits related thereto, and delivered written notice to Contractor either (1) specifying that such condition and any affected area is or has been rendered safe for the resumption of Work, or (2) specifying any special conditions under which such Work may be resumed safely.
- G. If Owner and Contractor cannot agree as to entitlement to or on the amount or extent, if any, of any adjustment in Contract Price or Contract Times, as a result of such Work stoppage, such special conditions under which Work is agreed to be resumed by Contractor, or any costs or expenses incurred in response to the Hazardous Environmental Condition, then within 30 days of Owner's written notice regarding the resumption of Work, Contractor may submit a Change Proposal, or Owner may impose a set-off. Entitlement to any such adjustment is subject to the provisions of Paragraphs 4.05.D, 4.05.E, 11.07, and 11.08.
- H. If, after receipt of such written notice, Contractor does not agree to resume such Work based on a reasonable belief it is unsafe, or does not agree to resume such Work under such special conditions, then Owner may order the portion of the Work that is in the area affected by such condition to be deleted from the Work, following the contractual change procedures in Article 11. Owner may have such deleted portion of the Work performed by Owner's own forces or others in accordance with Article 8.
- I. To the fullest extent permitted by Laws and Regulations, Owner shall indemnify and hold harmless Contractor, Subcontractors, and Engineer, and the officers, directors, members, partners, employees, agents, consultants, and subcontractors of each and any of them, from and against all claims, costs, losses, and damages (including but not limited to all fees and charges of engineers, architects, attorneys, and other professionals, and all court, arbitration, or other dispute resolution costs) arising out of or relating to a Hazardous Environmental Condition, provided that such Hazardous Environmental Condition (1) was not shown or indicated in the Drawings, Specifications, or other Contract Documents, identified as Technical Data entitled to limited reliance pursuant to Paragraph 5.06.B, or identified in the Contract Documents to be included within the scope of the Work, and (2) was not created by Contractor or by anyone for whom Contractor is responsible. Nothing in this Paragraph 5.06.I obligates Owner to indemnify any individual or entity from and against the consequences of that individual's or entity's own negligence.
- J. To the fullest extent permitted by Laws and Regulations, Contractor shall indemnify and hold harmless Owner and Engineer, and the officers, directors, members, partners, employees, agents, consultants, and subcontractors of each and any of them, from and against all claims, costs, losses, and damages (including but not limited to all fees and charges of engineers, architects, attorneys, and other professionals and all court or arbitration or other dispute resolution costs) arising out of or relating to the failure to control, contain, or remove a Constituent of Concern brought to the Site by Contractor or by anyone for whom Contractor is responsible, or to a Hazardous Environmental Condition created by Contractor or by anyone for whom Contractor is responsible. Nothing in this Paragraph 5.06.J obligates Contractor to indemnify any individual or entity from and against the consequences of that individual's or entity's own negligence.
- K. The provisions of Paragraphs 5.03, 5.04, and 5.05 do not apply to the presence of Constituents of Concern or to a Hazardous Environmental Condition uncovered or revealed at the Site.

## ARTICLE 6—BONDS AND INSURANCE

### 6.01 *Performance, Payment, and Other Bonds*

- A. Contractor shall furnish a performance bond and a payment bond, each in an amount at least equal to the Contract Price, as security for the faithful performance and payment of Contractor's obligations under the Contract. These bonds must remain in effect until one year after the date when final payment becomes due or until completion of the correction period specified in Paragraph 15.08, whichever is later, except as provided otherwise by Laws or Regulations, the terms of a prescribed bond form, the Supplementary Conditions, or other provisions of the Contract.
- B. Contractor shall also furnish such other bonds (if any) as are required by the Supplementary Conditions or other provisions of the Contract.
- C. All bonds must be in the form included in the Bidding Documents or otherwise specified by Owner prior to execution of the Contract, except as provided otherwise by Laws or Regulations, and must be issued and signed by a surety named in "Companies Holding Certificates of Authority as Acceptable Sureties on Federal Bonds and as Acceptable Reinsuring Companies" as published in Department Circular 570 (as amended and supplemented) by the Bureau of the Fiscal Service, U.S. Department of the Treasury. A bond signed by an agent or attorney-in-fact must be accompanied by a certified copy of that individual's authority to bind the surety. The evidence of authority must show that it is effective on the date the agent or attorney-in-fact signed the accompanying bond.
- D. Contractor shall obtain the required bonds from surety companies that are duly licensed or authorized, in the state or jurisdiction in which the Project is located, to issue bonds in the required amounts.
- E. If the surety on a bond furnished by Contractor is declared bankrupt or becomes insolvent, or the surety ceases to meet the requirements above, then Contractor shall promptly notify Owner and Engineer in writing and shall, within 20 days after the event giving rise to such notification, provide another bond and surety, both of which must comply with the bond and surety requirements above.
- F. If Contractor has failed to obtain a required bond, Owner may exclude the Contractor from the Site and exercise Owner's termination rights under Article 16.
- G. Upon request to Owner from any Subcontractor, Supplier, or other person or entity claiming to have furnished labor, services, materials, or equipment used in the performance of the Work, Owner shall provide a copy of the payment bond to such person or entity.
- H. Upon request to Contractor from any Subcontractor, Supplier, or other person or entity claiming to have furnished labor, services, materials, or equipment used in the performance of the Work, Contractor shall provide a copy of the payment bond to such person or entity.

### 6.02 *Insurance—General Provisions*

- A. Owner and Contractor shall obtain and maintain insurance as required in this article and in the Supplementary Conditions.
- B. All insurance required by the Contract to be purchased and maintained by Owner or Contractor shall be obtained from insurance companies that are duly licensed or authorized in the state or jurisdiction in which the Project is located to issue insurance policies for the



- required limits and coverages. Unless a different standard is indicated in the Supplementary Conditions, all companies that provide insurance policies required under this Contract shall have an A.M. Best rating of A-VII or better.
- C. Alternative forms of insurance coverage, including but not limited to self-insurance and “Occupational Accident and Excess Employer’s Indemnity Policies,” are not sufficient to meet the insurance requirements of this Contract, unless expressly allowed in the Supplementary Conditions.
  - D. Contractor shall deliver to Owner, with copies to each additional insured identified in the Contract, certificates of insurance and endorsements establishing that Contractor has obtained and is maintaining the policies and coverages required by the Contract. Upon request by Owner or any other insured, Contractor shall also furnish other evidence of such required insurance, including but not limited to copies of policies, documentation of applicable self-insured retentions (if allowed) and deductibles, full disclosure of all relevant exclusions, and evidence of insurance required to be purchased and maintained by Subcontractors or Suppliers. In any documentation furnished under this provision, Contractor, Subcontractors, and Suppliers may block out (redact) (1) any confidential premium or pricing information and (2) any wording specific to a project or jurisdiction other than those applicable to this Contract.
  - E. Owner shall deliver to Contractor, with copies to each additional insured identified in the Contract, certificates of insurance and endorsements establishing that Owner has obtained and is maintaining the policies and coverages required of Owner by the Contract (if any). Upon request by Contractor or any other insured, Owner shall also provide other evidence of such required insurance (if any), including but not limited to copies of policies, documentation of applicable self-insured retentions (if allowed) and deductibles, and full disclosure of all relevant exclusions. In any documentation furnished under this provision, Owner may block out (redact) (1) any confidential premium or pricing information and (2) any wording specific to a project or jurisdiction other than those relevant to this Contract.
  - F. Failure of Owner or Contractor to demand such certificates or other evidence of the other party’s full compliance with these insurance requirements, or failure of Owner or Contractor to identify a deficiency in compliance from the evidence provided, will not be construed as a waiver of the other party’s obligation to obtain and maintain such insurance.
  - G. In addition to the liability insurance required to be provided by Contractor, the Owner, at Owner’s option, may purchase and maintain Owner’s own liability insurance. Owner’s liability policies, if any, operate separately and independently from policies required to be provided by Contractor, and Contractor cannot rely upon Owner’s liability policies for any of Contractor’s obligations to the Owner, Engineer, or third parties.
  - H. Contractor shall require:
    - 1. Subcontractors to purchase and maintain worker’s compensation, commercial general liability, and other insurance that is appropriate for their participation in the Project, and to name as additional insureds Owner and Engineer (and any other individuals or entities identified in the Supplementary Conditions as additional insureds on Contractor’s liability policies) on each Subcontractor’s commercial general liability insurance policy; and

2. Suppliers to purchase and maintain insurance that is appropriate for their participation in the Project.
  - I. If either party does not purchase or maintain the insurance required of such party by the Contract, such party shall notify the other party in writing of such failure to purchase prior to the start of the Work, or of such failure to maintain prior to any change in the required coverage.
  - J. If Contractor has failed to obtain and maintain required insurance, Contractor's entitlement to enter or remain at the Site will end immediately, and Owner may impose an appropriate set-off against payment for any associated costs (including but not limited to the cost of purchasing necessary insurance coverage), and exercise Owner's termination rights under Article 16.
  - K. Without prejudice to any other right or remedy, if a party has failed to obtain required insurance, the other party may elect (but is in no way obligated) to obtain equivalent insurance to protect such other party's interests at the expense of the party who was required to provide such coverage, and the Contract Price will be adjusted accordingly.
  - L. Owner does not represent that insurance coverage and limits established in this Contract necessarily will be adequate to protect Contractor or Contractor's interests. Contractor is responsible for determining whether such coverage and limits are adequate to protect its interests, and for obtaining and maintaining any additional insurance that Contractor deems necessary.
  - M. The insurance and insurance limits required herein will not be deemed as a limitation on Contractor's liability, or that of its Subcontractors or Suppliers, under the indemnities granted to Owner and other individuals and entities in the Contract or otherwise.
  - N. All the policies of insurance required to be purchased and maintained under this Contract will contain a provision or endorsement that the coverage afforded will not be canceled, or renewal refused, until at least 10 days prior written notice has been given to the purchasing policyholder. Within three days of receipt of any such written notice, the purchasing policyholder shall provide a copy of the notice to each other insured and Engineer.

#### 6.03 *Contractor's Insurance*

- A. *Required Insurance:* Contractor shall purchase and maintain Worker's Compensation, Commercial General Liability, and other insurance pursuant to the specific requirements of the Supplementary Conditions.
- B. *General Provisions:* The policies of insurance required by this Paragraph 6.03 as supplemented must:
  1. include at least the specific coverages required;
  2. be written for not less than the limits provided, or those required by Laws or Regulations, whichever is greater;
  3. remain in effect at least until the Work is complete (as set forth in Paragraph 15.06.D), and longer if expressly required elsewhere in this Contract, and at all times thereafter when Contractor may be correcting, removing, or replacing defective Work as a warranty or correction obligation, or otherwise, or returning to the Site to conduct other tasks arising from the Contract;

4. apply with respect to the performance of the Work, whether such performance is by Contractor, any Subcontractor or Supplier, or by anyone directly or indirectly employed by any of them to perform any of the Work, or by anyone for whose acts any of them may be liable; and
  5. include all necessary endorsements to support the stated requirements.
- C. *Additional Insureds*: The Contractor's commercial general liability, automobile liability, employer's liability, umbrella or excess, pollution liability, and unmanned aerial vehicle liability policies, if required by this Contract, must:
1. include and list as additional insureds Owner and Engineer, and any individuals or entities identified as additional insureds in the Supplementary Conditions;
  2. include coverage for the respective officers, directors, members, partners, employees, and consultants of all such additional insureds;
  3. afford primary coverage to these additional insureds for all claims covered thereby (including as applicable those arising from both ongoing and completed operations);
  4. not seek contribution from insurance maintained by the additional insured; and
  5. as to commercial general liability insurance, apply to additional insureds with respect to liability caused in whole or in part by Contractor's acts or omissions, or the acts and omissions of those working on Contractor's behalf, in the performance of Contractor's operations.

#### 6.04 *Builder's Risk and Other Property Insurance*

- A. *Builder's Risk*: Unless otherwise provided in the Supplementary Conditions, Contractor shall purchase and maintain builder's risk insurance upon the Work on a completed value basis, in the amount of the Work's full insurable replacement cost (subject to such deductible amounts as may be provided in the Supplementary Conditions or required by Laws and Regulations). The specific requirements applicable to the builder's risk insurance are set forth in the Supplementary Conditions.
- B. *Property Insurance for Facilities of Owner Where Work Will Occur*: Owner is responsible for obtaining and maintaining property insurance covering each existing structure, building, or facility in which any part of the Work will occur, or to which any part of the Work will attach or be adjoined. Such property insurance will be written on a special perils (all-risk) form, on a replacement cost basis, providing coverage consistent with that required for the builder's risk insurance, and will be maintained until the Work is complete, as set forth in Paragraph 15.06.D.
- C. *Property Insurance for Substantially Complete Facilities*: Promptly after Substantial Completion, and before actual occupancy or use of the substantially completed Work, Owner will obtain property insurance for such substantially completed Work, and maintain such property insurance at least until the Work is complete, as set forth in Paragraph 15.06.D. Such property insurance will be written on a special perils (all-risk) form, on a replacement cost basis, and provide coverage consistent with that required for the builder's risk insurance. The builder's risk insurance may terminate upon written confirmation of Owner's procurement of such property insurance.

- D. *Partial Occupancy or Use by Owner*: If Owner will occupy or use a portion or portions of the Work prior to Substantial Completion of all the Work, as provided in Paragraph 15.04, then Owner (directly, if it is the purchaser of the builder's risk policy, or through Contractor) will provide advance notice of such occupancy or use to the builder's risk insurer, and obtain an endorsement consenting to the continuation of coverage prior to commencing such partial occupancy or use.
- E. *Insurance of Other Property; Additional Insurance*: If the express insurance provisions of the Contract do not require or address the insurance of a property item or interest, then the entity or individual owning such property item will be responsible for insuring it. If Contractor elects to obtain other special insurance to be included in or supplement the builder's risk or property insurance policies provided under this Paragraph 6.04, it may do so at Contractor's expense.

#### 6.05 *Property Losses; Subrogation*

- A. The builder's risk insurance policy purchased and maintained in accordance with Paragraph 6.04 (or an installation floater policy if authorized by the Supplementary Conditions), will contain provisions to the effect that in the event of payment of any loss or damage the insurer will have no rights of recovery against any insureds thereunder, or against Engineer or its consultants, or their officers, directors, members, partners, employees, agents, consultants, or subcontractors.
  - 1. Owner and Contractor waive all rights against each other and the respective officers, directors, members, partners, employees, agents, consultants, and subcontractors of each and any of them, for all losses and damages caused by, arising out of, or resulting from any of the perils, risks, or causes of loss covered by such policies and any other property insurance applicable to the Work; and, in addition, waive all such rights against Engineer, its consultants, all individuals or entities identified in the Supplementary Conditions as builder's risk or installation floater insureds, and the officers, directors, members, partners, employees, agents, consultants, and subcontractors of each and any of them, under such policies for losses and damages so caused.
  - 2. None of the above waivers extends to the rights that any party making such waiver may have to the proceeds of insurance held by Owner or Contractor as trustee or fiduciary, or otherwise payable under any policy so issued.
- B. Any property insurance policy maintained by Owner covering any loss, damage, or consequential loss to Owner's existing structures, buildings, or facilities in which any part of the Work will occur, or to which any part of the Work will attach or adjoin; to adjacent structures, buildings, or facilities of Owner; or to part or all of the completed or substantially completed Work, during partial occupancy or use pursuant to Paragraph 15.04, after Substantial Completion pursuant to Paragraph 15.03, or after final payment pursuant to Paragraph 15.06, will contain provisions to the effect that in the event of payment of any loss or damage the insurer will have no rights of recovery against any insureds thereunder, or against Contractor, Subcontractors, or Engineer, or the officers, directors, members, partners, employees, agents, consultants, or subcontractors of each and any of them, and that the insured is allowed to waive the insurer's rights of subrogation in a written contract executed prior to the loss, damage, or consequential loss.

1. Owner waives all rights against Contractor, Subcontractors, and Engineer, and the officers, directors, members, partners, employees, agents, consultants and subcontractors of each and any of them, for all losses and damages caused by, arising out of, or resulting from fire or any of the perils, risks, or causes of loss covered by such policies.
- C. The waivers in this Paragraph 6.05 include the waiver of rights due to business interruption, loss of use, or other consequential loss extending beyond direct physical loss or damage to Owner's property or the Work caused by, arising out of, or resulting from fire or other insured peril, risk, or cause of loss.
- D. Contractor shall be responsible for assuring that each Subcontract contains provisions whereby the Subcontractor waives all rights against Owner, Contractor, all individuals or entities identified in the Supplementary Conditions as insureds, the Engineer and its consultants, and the officers, directors, members, partners, employees, agents, consultants, and subcontractors of each and any of them, for all losses and damages caused by, arising out of, relating to, or resulting from fire or other peril, risk, or cause of loss covered by builder's risk insurance, installation floater, and any other property insurance applicable to the Work.

#### 6.06 *Receipt and Application of Property Insurance Proceeds*

- A. Any insured loss under the builder's risk and other policies of property insurance required by Paragraph 6.04 will be adjusted and settled with the named insured that purchased the policy. Such named insured shall act as fiduciary for the other insureds, and give notice to such other insureds that adjustment and settlement of a claim is in progress. Any other insured may state its position regarding a claim for insured loss in writing within 15 days after notice of such claim.
- B. Proceeds for such insured losses may be made payable by the insurer either jointly to multiple insureds, or to the named insured that purchased the policy in its own right and as fiduciary for other insureds, subject to the requirements of any applicable mortgage clause. A named insured receiving insurance proceeds under the builder's risk and other policies of insurance required by Paragraph 6.04 shall maintain such proceeds in a segregated account, and distribute such proceeds in accordance with such agreement as the parties in interest may reach, or as otherwise required under the dispute resolution provisions of this Contract or applicable Laws and Regulations.
- C. If no other special agreement is reached, Contractor shall repair or replace the damaged Work, using allocated insurance proceeds.

### **ARTICLE 7—CONTRACTOR'S RESPONSIBILITIES**

#### 7.01 *Contractor's Means and Methods of Construction*

- A. Contractor shall be solely responsible for the means, methods, techniques, sequences, and procedures of construction.
- B. If the Contract Documents note, or Contractor determines, that professional engineering or other design services are needed to carry out Contractor's responsibilities for construction means, methods, techniques, sequences, and procedures, or for Site safety, then Contractor shall cause such services to be provided by a properly licensed design professional, at

Contractor's expense. Such services are not Owner-delegated professional design services under this Contract, and neither Owner nor Engineer has any responsibility with respect to (1) Contractor's determination of the need for such services, (2) the qualifications or licensing of the design professionals retained or employed by Contractor, (3) the performance of such services, or (4) any errors, omissions, or defects in such services.

7.02 *Supervision and Superintendence*

- A. Contractor shall supervise, inspect, and direct the Work competently and efficiently, devoting such attention thereto and applying such skills and expertise as may be necessary to perform the Work in accordance with the Contract Documents.
- B. At all times during the progress of the Work, Contractor shall assign a competent resident superintendent who will not be replaced without written notice to Owner and Engineer except under extraordinary circumstances.

7.03 *Labor; Working Hours*

- A. Contractor shall provide competent, suitably qualified personnel to survey and lay out the Work and perform construction as required by the Contract Documents. Contractor shall maintain good discipline and order at the Site.
- B. Contractor shall be fully responsible to Owner and Engineer for all acts and omissions of Contractor's employees; of Suppliers and Subcontractors, and their employees; and of any other individuals or entities performing or furnishing any of the Work, just as Contractor is responsible for Contractor's own acts and omissions.
- C. Except as otherwise required for the safety or protection of persons or the Work or property at the Site or adjacent thereto, and except as otherwise stated in the Contract Documents, all Work at the Site will be performed during regular working hours, Monday through Friday. Contractor will not perform Work on a Saturday, Sunday, or any legal holiday. Contractor may perform Work outside regular working hours or on Saturdays, Sundays, or legal holidays only with Owner's written consent, which will not be unreasonably withheld.

7.04 *Services, Materials, and Equipment*

- A. Unless otherwise specified in the Contract Documents, Contractor shall provide and assume full responsibility for all services, materials, equipment, labor, transportation, construction equipment and machinery, tools, appliances, fuel, power, light, heat, telephone, water, sanitary facilities, temporary facilities, and all other facilities and incidentals necessary for the performance, testing, start up, and completion of the Work, whether or not such items are specifically called for in the Contract Documents.
- B. All materials and equipment incorporated into the Work must be new and of good quality, except as otherwise provided in the Contract Documents. All special warranties and guarantees required by the Specifications will expressly run to the benefit of Owner. If required by Engineer, Contractor shall furnish satisfactory evidence (including reports of required tests) as to the source, kind, and quality of materials and equipment.
- C. All materials and equipment must be stored, applied, installed, connected, erected, protected, used, cleaned, and conditioned in accordance with instructions of the applicable Supplier, except as otherwise may be provided in the Contract Documents.

## 7.05 "Or Equals"

- A. *Contractor's Request; Governing Criteria:* Whenever an item of equipment or material is specified or described in the Contract Documents by using the names of one or more proprietary items or specific Suppliers, the Contract Price has been based upon Contractor furnishing such item as specified. The specification or description of such an item is intended to establish the type, function, appearance, and quality required. Unless the specification or description contains or is followed by words reading that no like, equivalent, or "or equal" item is permitted, Contractor may request that Engineer authorize the use of other items of equipment or material, or items from other proposed Suppliers, under the circumstances described below.
1. If Engineer in its sole discretion determines that an item of equipment or material proposed by Contractor is functionally equal to that named and sufficiently similar so that no change in related Work will be required, Engineer will deem it an "or equal" item. For the purposes of this paragraph, a proposed item of equipment or material will be considered functionally equal to an item so named if:
    - a. in the exercise of reasonable judgment Engineer determines that the proposed item:
      - 1) is at least equal in materials of construction, quality, durability, appearance, strength, and design characteristics;
      - 2) will reliably perform at least equally well the function and achieve the results imposed by the design concept of the completed Project as a functioning whole;
      - 3) has a proven record of performance and availability of responsive service; and
      - 4) is not objectionable to Owner.
    - b. Contractor certifies that, if the proposed item is approved and incorporated into the Work:
      - 1) there will be no increase in cost to the Owner or increase in Contract Times; and
      - 2) the item will conform substantially to the detailed requirements of the item named in the Contract Documents.
- B. *Contractor's Expense:* Contractor shall provide all data in support of any proposed "or equal" item at Contractor's expense.
- C. *Engineer's Evaluation and Determination:* Engineer will be allowed a reasonable time to evaluate each "or-equal" request. Engineer may require Contractor to furnish additional data about the proposed "or-equal" item. Engineer will be the sole judge of acceptability. No "or-equal" item will be ordered, furnished, installed, or utilized until Engineer's review is complete and Engineer determines that the proposed item is an "or-equal," which will be evidenced by an approved Shop Drawing or other written communication. Engineer will advise Contractor in writing of any negative determination.
- D. *Effect of Engineer's Determination:* Neither approval nor denial of an "or-equal" request will result in any change in Contract Price. The Engineer's denial of an "or-equal" request will be final and binding, and may not be reversed through an appeal under any provision of the Contract.

- E. *Treatment as a Substitution Request*: If Engineer determines that an item of equipment or material proposed by Contractor does not qualify as an “or-equal” item, Contractor may request that Engineer consider the item a proposed substitute pursuant to Paragraph 7.06.

7.06 *Substitutes*

- A. *Contractor’s Request; Governing Criteria*: Unless the specification or description of an item of equipment or material required to be furnished under the Contract Documents contains or is followed by words reading that no substitution is permitted, Contractor may request that Engineer authorize the use of other items of equipment or material under the circumstances described below. To the extent possible such requests must be made before commencement of related construction at the Site.
1. Contractor shall submit sufficient information as provided below to allow Engineer to determine if the item of material or equipment proposed is functionally equivalent to that named and an acceptable substitute therefor. Engineer will not accept requests for review of proposed substitute items of equipment or material from anyone other than Contractor.
  2. The requirements for review by Engineer will be as set forth in Paragraph 7.06.B, as supplemented by the Specifications, and as Engineer may decide is appropriate under the circumstances.
  3. Contractor shall make written application to Engineer for review of a proposed substitute item of equipment or material that Contractor seeks to furnish or use. The application:
    - a. will certify that the proposed substitute item will:
      - 1) perform adequately the functions and achieve the results called for by the general design;
      - 2) be similar in substance to the item specified; and
      - 3) be suited to the same use as the item specified.
    - b. will state:
      - 1) the extent, if any, to which the use of the proposed substitute item will necessitate a change in Contract Times;
      - 2) whether use of the proposed substitute item in the Work will require a change in any of the Contract Documents (or in the provisions of any other direct contract with Owner for other work on the Project) to adapt the design to the proposed substitute item; and
      - 3) whether incorporation or use of the proposed substitute item in connection with the Work is subject to payment of any license fee or royalty.
    - c. will identify:
      - 1) all variations of the proposed substitute item from the item specified; and
      - 2) available engineering, sales, maintenance, repair, and replacement services.
    - d. will contain an itemized estimate of all costs or credits that will result directly or indirectly from use of such substitute item, including but not limited to changes in



Contract Price, shared savings, costs of redesign, and claims of other contractors affected by any resulting change.

- B. *Engineer's Evaluation and Determination*: Engineer will be allowed a reasonable time to evaluate each substitute request, and to obtain comments and direction from Owner. Engineer may require Contractor to furnish additional data about the proposed substitute item. Engineer will be the sole judge of acceptability. No substitute will be ordered, furnished, installed, or utilized until Engineer's review is complete and Engineer determines that the proposed item is an acceptable substitute. Engineer's determination will be evidenced by a Field Order or a proposed Change Order accounting for the substitution itself and all related impacts, including changes in Contract Price or Contract Times. Engineer will advise Contractor in writing of any negative determination.
- C. *Special Guarantee*: Owner may require Contractor to furnish at Contractor's expense a special performance guarantee or other surety with respect to any substitute.
- D. *Reimbursement of Engineer's Cost*: Engineer will record Engineer's costs in evaluating a substitute proposed or submitted by Contractor. Whether or not Engineer approves a substitute so proposed or submitted by Contractor, Contractor shall reimburse Owner for the reasonable charges of Engineer for evaluating each such proposed substitute. Contractor shall also reimburse Owner for the reasonable charges of Engineer for making changes in the Contract Documents (or in the provisions of any other direct contract with Owner) resulting from the acceptance of each proposed substitute.
- E. *Contractor's Expense*: Contractor shall provide all data in support of any proposed substitute at Contractor's expense.
- F. *Effect of Engineer's Determination*: If Engineer approves the substitution request, Contractor shall execute the proposed Change Order and proceed with the substitution. The Engineer's denial of a substitution request will be final and binding, and may not be reversed through an appeal under any provision of the Contract. Contractor may challenge the scope of reimbursement costs imposed under Paragraph 7.06.D, by timely submittal of a Change Proposal.

#### 7.07 *Concerning Subcontractors and Suppliers*

- A. Contractor may retain Subcontractors and Suppliers for the performance of parts of the Work. Such Subcontractors and Suppliers must be acceptable to Owner. The Contractor's retention of a Subcontractor or Supplier for the performance of parts of the Work will not relieve Contractor's obligation to Owner to perform and complete the Work in accordance with the Contract Documents.
- B. Contractor shall retain specific Subcontractors and Suppliers for the performance of designated parts of the Work if required by the Contract to do so.
- C. Subsequent to the submittal of Contractor's Bid or final negotiation of the terms of the Contract, Owner may not require Contractor to retain any Subcontractor or Supplier to furnish or perform any of the Work against which Contractor has reasonable objection.
- D. Prior to entry into any binding subcontract or purchase order, Contractor shall submit to Owner the identity of the proposed Subcontractor or Supplier (unless Owner has already deemed such proposed Subcontractor or Supplier acceptable during the bidding process or

otherwise). Such proposed Subcontractor or Supplier shall be deemed acceptable to Owner unless Owner raises a substantive, reasonable objection within 5 days.

- E. Owner may require the replacement of any Subcontractor or Supplier. Owner also may require Contractor to retain specific replacements; provided, however, that Owner may not require a replacement to which Contractor has a reasonable objection. If Contractor has submitted the identity of certain Subcontractors or Suppliers for acceptance by Owner, and Owner has accepted it (either in writing or by failing to make written objection thereto), then Owner may subsequently revoke the acceptance of any such Subcontractor or Supplier so identified solely on the basis of substantive, reasonable objection after due investigation. Contractor shall submit an acceptable replacement for the rejected Subcontractor or Supplier.
- F. If Owner requires the replacement of any Subcontractor or Supplier retained by Contractor to perform any part of the Work, then Contractor shall be entitled to an adjustment in Contract Price or Contract Times, with respect to the replacement; and Contractor shall initiate a Change Proposal for such adjustment within 30 days of Owner's requirement of replacement.
- G. No acceptance by Owner of any such Subcontractor or Supplier, whether initially or as a replacement, will constitute a waiver of the right of Owner to the completion of the Work in accordance with the Contract Documents.
- H. On a monthly basis, Contractor shall submit to Engineer a complete list of all Subcontractors and Suppliers having a direct contract with Contractor, and of all other Subcontractors and Suppliers known to Contractor at the time of submittal.
- I. Contractor shall be solely responsible for scheduling and coordinating the work of Subcontractors and Suppliers.
- J. The divisions and sections of the Specifications and the identifications of any Drawings do not control Contractor in dividing the Work among Subcontractors or Suppliers, or in delineating the Work to be performed by any specific trade.
- K. All Work performed for Contractor by a Subcontractor or Supplier must be pursuant to an appropriate contractual agreement that specifically binds the Subcontractor or Supplier to the applicable terms and conditions of the Contract for the benefit of Owner and Engineer.
- L. Owner may furnish to any Subcontractor or Supplier, to the extent practicable, information about amounts paid to Contractor for Work performed for Contractor by the Subcontractor or Supplier.
- M. Contractor shall restrict all Subcontractors and Suppliers from communicating with Engineer or Owner, except through Contractor or in case of an emergency, or as otherwise expressly allowed in this Contract.

#### 7.08 *Patent Fees and Royalties*

- A. Contractor shall pay all license fees and royalties and assume all costs incident to the use in the performance of the Work or the incorporation in the Work of any invention, design, process, product, or device which is the subject of patent rights or copyrights held by others. If an invention, design, process, product, or device is specified in the Contract Documents for use in the performance of the Work and if, to the actual knowledge of Owner or Engineer, its use is subject to patent rights or copyrights calling for the payment of any

license fee or royalty to others, the existence of such rights will be disclosed in the Contract Documents.

- B. To the fullest extent permitted by Laws and Regulations, Owner shall indemnify and hold harmless Contractor, and its officers, directors, members, partners, employees, agents, consultants, and subcontractors, from and against all claims, costs, losses, and damages (including but not limited to all fees and charges of engineers, architects, attorneys, and other professionals, and all court or arbitration or other dispute resolution costs) arising out of or relating to any infringement of patent rights or copyrights incident to the use in the performance of the Work or resulting from the incorporation in the Work of any invention, design, process, product, or device specified in the Contract Documents, but not identified as being subject to payment of any license fee or royalty to others required by patent rights or copyrights.
- C. To the fullest extent permitted by Laws and Regulations, Contractor shall indemnify and hold harmless Owner and Engineer, and the officers, directors, members, partners, employees, agents, consultants and subcontractors of each and any of them, from and against all claims, costs, losses, and damages (including but not limited to all fees and charges of engineers, architects, attorneys, and other professionals and all court or arbitration or other dispute resolution costs) arising out of or relating to any infringement of patent rights or copyrights incident to the use in the performance of the Work or resulting from the incorporation in the Work of any invention, design, process, product, or device not specified in the Contract Documents.

#### 7.09 *Permits*

- A. Unless otherwise provided in the Contract Documents, Contractor shall obtain and pay for all construction permits, licenses, and certificates of occupancy. Owner shall assist Contractor, when necessary, in obtaining such permits and licenses. Contractor shall pay all governmental charges and inspection fees necessary for the prosecution of the Work which are applicable at the time of the submission of Contractor's Bid (or when Contractor became bound under a negotiated contract). Owner shall pay all charges of utility owners for connections for providing permanent service to the Work.

#### 7.10 *Taxes*

- A. Contractor shall pay all sales, consumer, use, and other similar taxes required to be paid by Contractor in accordance with the Laws and Regulations of the place of the Project which are applicable during the performance of the Work.

#### 7.11 *Laws and Regulations*

- A. Contractor shall give all notices required by and shall comply with all Laws and Regulations applicable to the performance of the Work. Neither Owner nor Engineer shall be responsible for monitoring Contractor's compliance with any Laws or Regulations.
- B. If Contractor performs any Work or takes any other action knowing or having reason to know that it is contrary to Laws or Regulations, Contractor shall bear all resulting costs and losses, and shall indemnify and hold harmless Owner and Engineer, and the officers, directors, members, partners, employees, agents, consultants, and subcontractors of each and any of them, from and against all claims, costs, losses, and damages (including but not limited to all fees and charges of engineers, architects, attorneys, and other professionals and all court or arbitration or other dispute resolution costs) arising out of or relating to

such Work or other action. It is not Contractor's responsibility to make certain that the Work described in the Contract Documents is in accordance with Laws and Regulations, but this does not relieve Contractor of its obligations under Paragraph 3.03.

- C. Owner or Contractor may give written notice to the other party of any changes after the submission of Contractor's Bid (or after the date when Contractor became bound under a negotiated contract) in Laws or Regulations having an effect on the cost or time of performance of the Work, including but not limited to changes in Laws or Regulations having an effect on procuring permits and on sales, use, value-added, consumption, and other similar taxes. If Owner and Contractor are unable to agree on entitlement to or on the amount or extent, if any, of any adjustment in Contract Price or Contract Times resulting from such changes, then within 30 days of such written notice Contractor may submit a Change Proposal, or Owner may initiate a Claim.

#### 7.12 *Record Documents*

- A. Contractor shall maintain in a safe place at the Site one printed record copy of all Drawings, Specifications, Addenda, Change Orders, Work Change Directives, Field Orders, written interpretations and clarifications, and approved Shop Drawings. Contractor shall keep such record documents in good order and annotate them to show changes made during construction. These record documents, together with all approved Samples, will be available to Engineer for reference. Upon completion of the Work, Contractor shall deliver these record documents to Engineer.

#### 7.13 *Safety and Protection*

- A. Contractor shall be solely responsible for initiating, maintaining, and supervising all safety precautions and programs in connection with the Work. Such responsibility does not relieve Subcontractors of their responsibility for the safety of persons or property in the performance of their work, nor for compliance with applicable safety Laws and Regulations.
- B. Contractor shall designate a qualified and experienced safety representative whose duties and responsibilities are the prevention of Work-related accidents and the maintenance and supervision of safety precautions and programs.
- C. Contractor shall take all necessary precautions for the safety of, and shall provide the necessary protection to prevent damage, injury, or loss to:
  - 1. all persons on the Site or who may be affected by the Work;
  - 2. all the Work and materials and equipment to be incorporated therein, whether in storage on or off the Site; and
  - 3. other property at the Site or adjacent thereto, including trees, shrubs, lawns, walks, pavements, roadways, structures, other work in progress, utilities, and Underground Facilities not designated for removal, relocation, or replacement in the course of construction.
- D. All damage, injury, or loss to any property referred to in Paragraph 7.13.C.2 or 7.13.C.3 caused, directly or indirectly, in whole or in part, by Contractor, any Subcontractor, Supplier, or any other individual or entity directly or indirectly employed by any of them to perform any of the Work, or anyone for whose acts any of them may be liable, shall be remedied by Contractor at its expense (except damage or loss attributable to the fault of Drawings or Specifications or to the acts or omissions of Owner or Engineer or anyone employed by any

of them, or anyone for whose acts any of them may be liable, and not attributable, directly or indirectly, in whole or in part, to the fault or negligence of Contractor or any Subcontractor, Supplier, or other individual or entity directly or indirectly employed by any of them).

- E. Contractor shall comply with all applicable Laws and Regulations relating to the safety of persons or property, or to the protection of persons or property from damage, injury, or loss; and shall erect and maintain all necessary safeguards for such safety and protection.
- F. Contractor shall notify Owner; the owners of adjacent property; the owners of Underground Facilities and other utilities (if the identity of such owners is known to Contractor); and other contractors and utility owners performing work at or adjacent to the Site, in writing, when Contractor knows that prosecution of the Work may affect them, and shall cooperate with them in the protection, removal, relocation, and replacement of their property or work in progress.
- G. Contractor shall comply with the applicable requirements of Owner's safety programs, if any. Any Owner's safety programs that are applicable to the Work are identified or included in the Supplementary Conditions or Specifications.
- H. Contractor shall inform Owner and Engineer of the specific requirements of Contractor's safety program with which Owner's and Engineer's employees and representatives must comply while at the Site.
- I. Contractor's duties and responsibilities for safety and protection will continue until all the Work is completed, Engineer has issued a written notice to Owner and Contractor in accordance with Paragraph 15.06.C that the Work is acceptable, and Contractor has left the Site (except as otherwise expressly provided in connection with Substantial Completion).
- J. Contractor's duties and responsibilities for safety and protection will resume whenever Contractor or any Subcontractor or Supplier returns to the Site to fulfill warranty or correction obligations, or to conduct other tasks arising from the Contract Documents.

#### 7.14 *Hazard Communication Programs*

- A. Contractor shall be responsible for coordinating any exchange of safety data sheets (formerly known as material safety data sheets) or other hazard communication information required to be made available to or exchanged between or among employers at the Site in accordance with Laws or Regulations.

#### 7.15 *Emergencies*

- A. In emergencies affecting the safety or protection of persons or the Work or property at the Site or adjacent thereto, Contractor is obligated to act to prevent damage, injury, or loss. Contractor shall give Engineer prompt written notice if Contractor believes that any significant changes in the Work or variations from the Contract Documents have been caused by an emergency, or are required as a result of Contractor's response to an emergency. If Engineer determines that a change in the Contract Documents is required because of an emergency or Contractor's response, a Work Change Directive or Change Order will be issued.

## 7.16 Submittals

### A. Shop Drawing and Sample Requirements

1. Before submitting a Shop Drawing or Sample, Contractor shall:
  - a. review and coordinate the Shop Drawing or Sample with other Shop Drawings and Samples and with the requirements of the Work and the Contract Documents;
  - b. determine and verify:
    - 1) all field measurements, quantities, dimensions, specified performance and design criteria, installation requirements, materials, catalog numbers, and similar information with respect to the Submittal;
    - 2) the suitability of all materials and equipment offered with respect to the indicated application, fabrication, shipping, handling, storage, assembly, and installation pertaining to the performance of the Work; and
    - 3) all information relative to Contractor's responsibilities for means, methods, techniques, sequences, and procedures of construction, and safety precautions and programs incident thereto;
  - c. confirm that the Submittal is complete with respect to all related data included in the Submittal.
2. Each Shop Drawing or Sample must bear a stamp or specific written certification that Contractor has satisfied Contractor's obligations under the Contract Documents with respect to Contractor's review of that Submittal, and that Contractor approves the Submittal.
3. With each Shop Drawing or Sample, Contractor shall give Engineer specific written notice of any variations that the Submittal may have from the requirements of the Contract Documents. This notice must be set forth in a written communication separate from the Submittal; and, in addition, in the case of a Shop Drawing by a specific notation made on the Shop Drawing itself.

### B. Submittal Procedures for Shop Drawings and Samples: Contractor shall label and submit Shop Drawings and Samples to Engineer for review and approval in accordance with the accepted Schedule of Submittals.

#### 1. Shop Drawings

- a. Contractor shall submit the number of copies required in the Specifications.
- b. Data shown on the Shop Drawings must be complete with respect to quantities, dimensions, specified performance and design criteria, materials, and similar data to show Engineer the services, materials, and equipment Contractor proposes to provide, and to enable Engineer to review the information for the limited purposes required by Paragraph 7.16.C.

#### 2. Samples

- a. Contractor shall submit the number of Samples required in the Specifications.
- b. Contractor shall clearly identify each Sample as to material, Supplier, pertinent data such as catalog numbers, the use for which intended and other data as Engineer

may require to enable Engineer to review the Submittal for the limited purposes required by Paragraph 7.16.C.

3. Where a Shop Drawing or Sample is required by the Contract Documents or the Schedule of Submittals, any related Work performed prior to Engineer's review and approval of the pertinent submittal will be at the sole expense and responsibility of Contractor.

*C. Engineer's Review of Shop Drawings and Samples*

1. Engineer will provide timely review of Shop Drawings and Samples in accordance with the accepted Schedule of Submittals. Engineer's review and approval will be only to determine if the items covered by the Submittals will, after installation or incorporation in the Work, comply with the requirements of the Contract Documents, and be compatible with the design concept of the completed Project as a functioning whole as indicated by the Contract Documents.
2. Engineer's review and approval will not extend to means, methods, techniques, sequences, or procedures of construction, or to safety precautions or programs incident thereto.
3. Engineer's review and approval of a separate item as such will not indicate approval of the assembly in which the item functions.
4. Engineer's review and approval of a Shop Drawing or Sample will not relieve Contractor from responsibility for any variation from the requirements of the Contract Documents unless Contractor has complied with the requirements of Paragraph 7.16.A.3 and Engineer has given written approval of each such variation by specific written notation thereof incorporated in or accompanying the Shop Drawing or Sample. Engineer will document any such approved variation from the requirements of the Contract Documents in a Field Order or other appropriate Contract modification.
5. Engineer's review and approval of a Shop Drawing or Sample will not relieve Contractor from responsibility for complying with the requirements of Paragraphs 7.16.A and B.
6. Engineer's review and approval of a Shop Drawing or Sample, or of a variation from the requirements of the Contract Documents, will not, under any circumstances, change the Contract Times or Contract Price, unless such changes are included in a Change Order.
7. Neither Engineer's receipt, review, acceptance, or approval of a Shop Drawing or Sample will result in such item becoming a Contract Document.
8. Contractor shall perform the Work in compliance with the requirements and commitments set forth in approved Shop Drawings and Samples, subject to the provisions of Paragraph 7.16.C.4.

*D. Resubmittal Procedures for Shop Drawings and Samples*

1. Contractor shall make corrections required by Engineer and shall return the required number of corrected copies of Shop Drawings and submit, as required, new Samples for review and approval. Contractor shall direct specific attention in writing to revisions other than the corrections called for by Engineer on previous Submittals.
2. Contractor shall furnish required Shop Drawing and Sample submittals with sufficient information and accuracy to obtain required approval of an item with no more than two

resubmittals. Engineer will record Engineer's time for reviewing a third or subsequent resubmittal of a Shop Drawing or Sample, and Contractor shall be responsible for Engineer's charges to Owner for such time. Owner may impose a set-off against payments due Contractor to secure reimbursement for such charges.

3. If Contractor requests a change of a previously approved Shop Drawing or Sample, Contractor shall be responsible for Engineer's charges to Owner for its review time, and Owner may impose a set-off against payments due Contractor to secure reimbursement for such charges, unless the need for such change is beyond the control of Contractor.

E. *Submittals Other than Shop Drawings, Samples, and Owner-Delegated Designs*

1. The following provisions apply to all Submittals other than Shop Drawings, Samples, and Owner-delegated designs:
  - a. Contractor shall submit all such Submittals to the Engineer in accordance with the Schedule of Submittals and pursuant to the applicable terms of the Contract Documents.
  - b. Engineer will provide timely review of all such Submittals in accordance with the Schedule of Submittals and return such Submittals with a notation of either Accepted or Not Accepted. Any such Submittal that is not returned within the time established in the Schedule of Submittals will be deemed accepted.
  - c. Engineer's review will be only to determine if the Submittal is acceptable under the requirements of the Contract Documents as to general form and content of the Submittal.
  - d. If any such Submittal is not accepted, Contractor shall confer with Engineer regarding the reason for the non-acceptance, and resubmit an acceptable document.
2. Procedures for the submittal and acceptance of the Progress Schedule, the Schedule of Submittals, and the Schedule of Values are set forth in Paragraphs 2.03, 2.04, and 2.05.

- F. Owner-delegated Designs: Submittals pursuant to Owner-delegated designs are governed by the provisions of Paragraph 7.19.

7.17 *Contractor's General Warranty and Guarantee*

- A. Contractor warrants and guarantees to Owner that all Work will be in accordance with the Contract Documents and will not be defective. Engineer is entitled to rely on Contractor's warranty and guarantee.
- B. Owner's rights under this warranty and guarantee are in addition to, and are not limited by, Owner's rights under the correction period provisions of Paragraph 15.08. The time in which Owner may enforce its warranty and guarantee rights under this Paragraph 7.17 is limited only by applicable Laws and Regulations restricting actions to enforce such rights; provided, however, that after the end of the correction period under Paragraph 15.08:
  1. Owner shall give Contractor written notice of any defective Work within 60 days of the discovery that such Work is defective; and



2. Such notice will be deemed the start of an event giving rise to a Claim under Paragraph 12.01.B, such that any related Claim must be brought within 30 days of the notice.
- C. Contractor's warranty and guarantee hereunder excludes defects or damage caused by:
1. abuse, or improper modification, maintenance, or operation, by persons other than Contractor, Subcontractors, Suppliers, or any other individual or entity for whom Contractor is responsible; or
  2. normal wear and tear under normal usage.
- D. Contractor's obligation to perform and complete the Work in accordance with the Contract Documents is absolute. None of the following will constitute an acceptance of Work that is not in accordance with the Contract Documents, a release of Contractor's obligation to perform the Work in accordance with the Contract Documents, or a release of Owner's warranty and guarantee rights under this Paragraph 7.17:
1. Observations by Engineer;
  2. Recommendation by Engineer or payment by Owner of any progress or final payment;
  3. The issuance of a certificate of Substantial Completion by Engineer or any payment related thereto by Owner;
  4. Use or occupancy of the Work or any part thereof by Owner;
  5. Any review and approval of a Shop Drawing or Sample submittal;
  6. The issuance of a notice of acceptability by Engineer;
  7. The end of the correction period established in Paragraph 15.08;
  8. Any inspection, test, or approval by others; or
  9. Any correction of defective Work by Owner.
- E. If the Contract requires the Contractor to accept the assignment of a contract entered into by Owner, then the specific warranties, guarantees, and correction obligations contained in the assigned contract will govern with respect to Contractor's performance obligations to Owner for the Work described in the assigned contract.

#### 7.18 *Indemnification*

- A. To the fullest extent permitted by Laws and Regulations, and in addition to any other obligations of Contractor under the Contract or otherwise, Contractor shall indemnify and hold harmless Owner and Engineer, and the officers, directors, members, partners, employees, agents, consultants and subcontractors of each and any of them, from losses, damages, costs, and judgments (including but not limited to all fees and charges of engineers, architects, attorneys, and other professionals, and all court or arbitration or other dispute resolution costs) arising from third-party claims or actions relating to or resulting from the performance or furnishing of the Work, provided that any such claim, action, loss, cost, judgment or damage is attributable to bodily injury, sickness, disease, or death, or to damage to or destruction of tangible property (other than the Work itself), including the loss of use resulting therefrom, but only to the extent caused by any negligent act or omission of Contractor, any Subcontractor, any Supplier, or any individual or entity

directly or indirectly employed by any of them to perform any of the Work, or anyone for whose acts any of them may be liable.

- B. In any and all claims against Owner or Engineer, or any of their officers, directors, members, partners, employees, agents, consultants, or subcontractors, by any employee (or the survivor or personal representative of such employee) of Contractor, any Subcontractor, any Supplier, or any individual or entity directly or indirectly employed by any of them to perform any of the Work, or anyone for whose acts any of them may be liable, the indemnification obligation under Paragraph 7.18.A will not be limited in any way by any limitation on the amount or type of damages, compensation, or benefits payable by or for Contractor or any such Subcontractor, Supplier, or other individual or entity under workers' compensation acts, disability benefit acts, or other employee benefit acts.

#### 7.19 *Delegation of Professional Design Services*

- A. Owner may require Contractor to provide professional design services for a portion of the Work by express delegation in the Contract Documents. Such delegation will specify the performance and design criteria that such services must satisfy, and the Submittals that Contractor must furnish to Engineer with respect to the Owner-delegated design.
- B. Contractor shall cause such Owner-delegated professional design services to be provided pursuant to the professional standard of care by a properly licensed design professional, whose signature and seal must appear on all drawings, calculations, specifications, certifications, and Submittals prepared by such design professional. Such design professional must issue all certifications of design required by Laws and Regulations.
- C. If a Shop Drawing or other Submittal related to the Owner-delegated design is prepared by Contractor, a Subcontractor, or others for submittal to Engineer, then such Shop Drawing or other Submittal must bear the written approval of Contractor's design professional when submitted by Contractor to Engineer.
- D. Owner and Engineer shall be entitled to rely upon the adequacy, accuracy, and completeness of the services, certifications, and approvals performed or provided by the design professionals retained or employed by Contractor under an Owner-delegated design, subject to the professional standard of care and the performance and design criteria stated in the Contract Documents.
- E. Pursuant to this Paragraph 7.19, Engineer's review, approval, and other determinations regarding design drawings, calculations, specifications, certifications, and other Submittals furnished by Contractor pursuant to an Owner-delegated design will be only for the following limited purposes:
  - 1. Checking for conformance with the requirements of this Paragraph 7.19;
  - 2. Confirming that Contractor (through its design professionals) has used the performance and design criteria specified in the Contract Documents; and
  - 3. Establishing that the design furnished by Contractor is consistent with the design concept expressed in the Contract Documents.
- F. Contractor shall not be responsible for the adequacy of performance or design criteria specified by Owner or Engineer.

- G. Contractor is not required to provide professional services in violation of applicable Laws and Regulations.

## **ARTICLE 8—OTHER WORK AT THE SITE**

### **8.01 *Other Work***

- A. In addition to and apart from the Work under the Contract Documents, the Owner may perform other work at or adjacent to the Site. Such other work may be performed by Owner's employees, or through contracts between the Owner and third parties. Owner may also arrange to have third-party utility owners perform work on their utilities and facilities at or adjacent to the Site.
- B. If Owner performs other work at or adjacent to the Site with Owner's employees, or through contracts for such other work, then Owner shall give Contractor written notice thereof prior to starting any such other work. If Owner has advance information regarding the start of any third-party utility work that Owner has arranged to take place at or adjacent to the Site, Owner shall provide such information to Contractor.
- C. Contractor shall afford proper and safe access to the Site to each contractor that performs such other work, each utility owner performing other work, and Owner, if Owner is performing other work with Owner's employees, and provide a reasonable opportunity for the introduction and storage of materials and equipment and the execution of such other work.
- D. Contractor shall do all cutting, fitting, and patching of the Work that may be required to properly connect or otherwise make its several parts come together and properly integrate with such other work. Contractor shall not endanger any work of others by cutting, excavating, or otherwise altering such work; provided, however, that Contractor may cut or alter others' work with the written consent of Engineer and the others whose work will be affected.
- E. If the proper execution or results of any part of Contractor's Work depends upon work performed by others, Contractor shall inspect such other work and promptly report to Engineer in writing any delays, defects, or deficiencies in such other work that render it unavailable or unsuitable for the proper execution and results of Contractor's Work. Contractor's failure to so report will constitute an acceptance of such other work as fit and proper for integration with Contractor's Work except for latent defects and deficiencies in such other work.
- F. The provisions of this article are not applicable to work that is performed by third-party utilities or other third-party entities without a contract with Owner, or that is performed without having been arranged by Owner. If such work occurs, then any related delay, disruption, or interference incurred by Contractor is governed by the provisions of Paragraph 4.05.C.3.

### **8.02 *Coordination***

- A. If Owner intends to contract with others for the performance of other work at or adjacent to the Site, to perform other work at or adjacent to the Site with Owner's employees, or to arrange to have utility owners perform work at or adjacent to the Site, the following will be

set forth in the Supplementary Conditions or provided to Contractor prior to the start of any such other work:

1. The identity of the individual or entity that will have authority and responsibility for coordination of the activities among the various contractors;
  2. An itemization of the specific matters to be covered by such authority and responsibility; and
  3. The extent of such authority and responsibilities.
- B. Unless otherwise provided in the Supplementary Conditions, Owner shall have sole authority and responsibility for such coordination.

### 8.03 *Legal Relationships*

- A. If, in the course of performing other work for Owner at or adjacent to the Site, the Owner's employees, any other contractor working for Owner, or any utility owner that Owner has arranged to perform work, causes damage to the Work or to the property of Contractor or its Subcontractors, or delays, disrupts, interferes with, or increases the scope or cost of the performance of the Work, through actions or inaction, then Contractor shall be entitled to an equitable adjustment in the Contract Price or the Contract Times. Contractor must submit any Change Proposal seeking an equitable adjustment in the Contract Price or the Contract Times under this paragraph within 30 days of the damaging, delaying, disrupting, or interfering event. The entitlement to, and extent of, any such equitable adjustment will take into account information (if any) regarding such other work that was provided to Contractor in the Contract Documents prior to the submittal of the Bid or the final negotiation of the terms of the Contract, and any remedies available to Contractor under Laws or Regulations concerning utility action or inaction. When applicable, any such equitable adjustment in Contract Price will be conditioned on Contractor assigning to Owner all Contractor's rights against such other contractor or utility owner with respect to the damage, delay, disruption, or interference that is the subject of the adjustment. Contractor's entitlement to an adjustment of the Contract Times or Contract Price is subject to the provisions of Paragraphs 4.05.D and 4.05.E.
- B. Contractor shall take reasonable and customary measures to avoid damaging, delaying, disrupting, or interfering with the work of Owner, any other contractor, or any utility owner performing other work at or adjacent to the Site.
1. If Contractor fails to take such measures and as a result damages, delays, disrupts, or interferes with the work of any such other contractor or utility owner, then Owner may impose a set-off against payments due Contractor, and assign to such other contractor or utility owner the Owner's contractual rights against Contractor with respect to the breach of the obligations set forth in this Paragraph 8.03.B.
  2. When Owner is performing other work at or adjacent to the Site with Owner's employees, Contractor shall be liable to Owner for damage to such other work, and for the reasonable direct delay, disruption, and interference costs incurred by Owner as a result of Contractor's failure to take reasonable and customary measures with respect to Owner's other work. In response to such damage, delay, disruption, or interference, Owner may impose a set-off against payments due Contractor.

- C. If Contractor damages, delays, disrupts, or interferes with the work of any other contractor, or any utility owner performing other work at or adjacent to the Site, through Contractor's failure to take reasonable and customary measures to avoid such impacts, or if any claim arising out of Contractor's actions, inactions, or negligence in performance of the Work at or adjacent to the Site is made by any such other contractor or utility owner against Contractor, Owner, or Engineer, then Contractor shall (1) promptly attempt to settle the claim as to all parties through negotiations with such other contractor or utility owner, or otherwise resolve the claim by arbitration or other dispute resolution proceeding or at law, and (2) indemnify and hold harmless Owner and Engineer, and the officers, directors, members, partners, employees, agents, consultants and subcontractors of each and any of them from and against any such claims, and against all costs, losses, and damages (including but not limited to all fees and charges of engineers, architects, attorneys, and other professionals and all court or arbitration or other dispute resolution costs) arising out of or relating to such damage, delay, disruption, or interference.

## **ARTICLE 9—OWNER'S RESPONSIBILITIES**

### **9.01 *Communications to Contractor***

- A. Except as otherwise provided in these General Conditions, Owner shall issue all communications to Contractor through Engineer.

### **9.02 *Replacement of Engineer***

- A. Owner may at its discretion appoint an engineer to replace Engineer, provided Contractor makes no reasonable objection to the replacement engineer. The replacement engineer's status under the Contract Documents will be that of the former Engineer.

### **9.03 *Furnish Data***

- A. Owner shall promptly furnish the data required of Owner under the Contract Documents.

### **9.04 *Pay When Due***

- A. Owner shall make payments to Contractor when they are due as provided in the Agreement.

### **9.05 *Lands and Easements; Reports, Tests, and Drawings***

- A. Owner's duties with respect to providing lands and easements are set forth in Paragraph 5.01.
- B. Owner's duties with respect to providing engineering surveys to establish reference points are set forth in Paragraph 4.03.
- C. Article 5 refers to Owner's identifying and making available to Contractor copies of reports of explorations and tests of conditions at the Site, and drawings of physical conditions relating to existing surface or subsurface structures at the Site.

### **9.06 *Insurance***

- A. Owner's responsibilities, if any, with respect to purchasing and maintaining liability and property insurance are set forth in Article 6.

### **9.07 *Change Orders***

- A. Owner's responsibilities with respect to Change Orders are set forth in Article 11.

9.08 *Inspections, Tests, and Approvals*

- A. Owner's responsibility with respect to certain inspections, tests, and approvals is set forth in Paragraph 14.02.B.

9.09 *Limitations on Owner's Responsibilities*

- A. The Owner shall not supervise, direct, or have control or authority over, nor be responsible for, Contractor's means, methods, techniques, sequences, or procedures of construction, or the safety precautions and programs incident thereto, or for any failure of Contractor to comply with Laws and Regulations applicable to the performance of the Work. Owner will not be responsible for Contractor's failure to perform the Work in accordance with the Contract Documents.

9.10 *Undisclosed Hazardous Environmental Condition*

- A. Owner's responsibility in respect to an undisclosed Hazardous Environmental Condition is set forth in Paragraph 5.06.

9.11 *Evidence of Financial Arrangements*

- A. Upon request of Contractor, Owner shall furnish Contractor reasonable evidence that financial arrangements have been made to satisfy Owner's obligations under the Contract (including obligations under proposed changes in the Work).

9.12 *Safety Programs*

- A. While at the Site, Owner's employees and representatives shall comply with the specific applicable requirements of Contractor's safety programs of which Owner has been informed.
- B. Owner shall furnish copies of any applicable Owner safety programs to Contractor.

**ARTICLE 10—ENGINEER'S STATUS DURING CONSTRUCTION**

10.01 *Owner's Representative*

- A. Engineer will be Owner's representative during the construction period. The duties and responsibilities and the limitations of authority of Engineer as Owner's representative during construction are set forth in the Contract.

10.02 *Visits to Site*

- A. Engineer will make visits to the Site at intervals appropriate to the various stages of construction as Engineer deems necessary in order to observe, as an experienced and qualified design professional, the progress that has been made and the quality of the various aspects of Contractor's executed Work. Based on information obtained during such visits and observations, Engineer, for the benefit of Owner, will determine, in general, if the Work is proceeding in accordance with the Contract Documents. Engineer will not be required to make exhaustive or continuous inspections on the Site to check the quality or quantity of the Work. Engineer's efforts will be directed toward providing for Owner a greater degree of confidence that the completed Work will conform generally to the Contract Documents. On the basis of such visits and observations, Engineer will keep Owner informed of the progress of the Work and will endeavor to guard Owner against defective Work.

- B. Engineer's visits and observations are subject to all the limitations on Engineer's authority and responsibility set forth in Paragraph 10.07. Particularly, but without limitation, during or as a result of Engineer's visits or observations of Contractor's Work, Engineer will not supervise, direct, control, or have authority over or be responsible for Contractor's means, methods, techniques, sequences, or procedures of construction, or the safety precautions and programs incident thereto, or for any failure of Contractor to comply with Laws and Regulations applicable to the performance of the Work.

10.03 *Resident Project Representative*

- A. If Owner and Engineer have agreed that Engineer will furnish a Resident Project Representative to represent Engineer at the Site and assist Engineer in observing the progress and quality of the Work, then the authority and responsibilities of any such Resident Project Representative will be as provided in the Supplementary Conditions, and limitations on the responsibilities thereof will be as provided in the Supplementary Conditions and in Paragraph 10.07.
- B. If Owner designates an individual or entity who is not Engineer's consultant, agent, or employee to represent Owner at the Site, then the responsibilities and authority of such individual or entity will be as provided in the Supplementary Conditions.

10.04 *Engineer's Authority*

- A. Engineer has the authority to reject Work in accordance with Article 14.
- B. Engineer's authority as to Submittals is set forth in Paragraph 7.16.
- C. Engineer's authority as to design drawings, calculations, specifications, certifications and other Submittals from Contractor in response to Owner's delegation (if any) to Contractor of professional design services, is set forth in Paragraph 7.19.
- D. Engineer's authority as to changes in the Work is set forth in Article 11.
- E. Engineer's authority as to Applications for Payment is set forth in Article 15.

10.05 *Determinations for Unit Price Work*

- A. Engineer will determine the actual quantities and classifications of Unit Price Work performed by Contractor as set forth in Paragraph 13.03.

10.06 *Decisions on Requirements of Contract Documents and Acceptability of Work*

- A. Engineer will render decisions regarding the requirements of the Contract Documents, and judge the acceptability of the Work, pursuant to the specific procedures set forth herein for initial interpretations, Change Proposals, and acceptance of the Work. In rendering such decisions and judgments, Engineer will not show partiality to Owner or Contractor, and will not be liable to Owner, Contractor, or others in connection with any proceedings, interpretations, decisions, or judgments conducted or rendered in good faith.

10.07 *Limitations on Engineer's Authority and Responsibilities*

- A. Neither Engineer's authority or responsibility under this Article 10 or under any other provision of the Contract, nor any decision made by Engineer in good faith either to exercise or not exercise such authority or responsibility or the undertaking, exercise, or performance of any authority or responsibility by Engineer, will create, impose, or give rise to any duty in contract, tort, or otherwise owed by Engineer to Contractor, any Subcontractor, any

Supplier, any other individual or entity, or to any surety for or employee or agent of any of them.

- B. Engineer will not supervise, direct, control, or have authority over or be responsible for Contractor's means, methods, techniques, sequences, or procedures of construction, or the safety precautions and programs incident thereto, or for any failure of Contractor to comply with Laws and Regulations applicable to the performance of the Work. Engineer will not be responsible for Contractor's failure to perform the Work in accordance with the Contract Documents.
- C. Engineer will not be responsible for the acts or omissions of Contractor or of any Subcontractor, any Supplier, or of any other individual or entity performing any of the Work.
- D. Engineer's review of the final Application for Payment and accompanying documentation, and all maintenance and operating instructions, schedules, guarantees, bonds, certificates of inspection, tests and approvals, and other documentation required to be delivered by Contractor under Paragraph 15.06.A, will only be to determine generally that their content complies with the requirements of, and in the case of certificates of inspections, tests, and approvals, that the results certified indicate compliance with the Contract Documents.
- E. The limitations upon authority and responsibility set forth in this Paragraph 10.07 also apply to the Resident Project Representative, if any.

#### 10.08 *Compliance with Safety Program*

- A. While at the Site, Engineer's employees and representatives will comply with the specific applicable requirements of Owner's and Contractor's safety programs of which Engineer has been informed.

### **ARTICLE 11—CHANGES TO THE CONTRACT**

#### 11.01 *Amending and Supplementing the Contract*

- A. The Contract may be amended or supplemented by a Change Order, a Work Change Directive, or a Field Order.
- B. If an amendment or supplement to the Contract includes a change in the Contract Price or the Contract Times, such amendment or supplement must be set forth in a Change Order.
- C. All changes to the Contract that involve (1) the performance or acceptability of the Work, (2) the design (as set forth in the Drawings, Specifications, or otherwise), or (3) other engineering or technical matters, must be supported by Engineer's recommendation. Owner and Contractor may amend other terms and conditions of the Contract without the recommendation of the Engineer.

#### 11.02 *Change Orders*

- A. Owner and Contractor shall execute appropriate Change Orders covering:
  - 1. Changes in Contract Price or Contract Times which are agreed to by the parties, including any undisputed sum or amount of time for Work actually performed in accordance with a Work Change Directive;
  - 2. Changes in Contract Price resulting from an Owner set-off, unless Contractor has duly contested such set-off;



3. Changes in the Work which are: (a) ordered by Owner pursuant to Paragraph 11.05, (b) required because of Owner's acceptance of defective Work under Paragraph 14.04 or Owner's correction of defective Work under Paragraph 14.07, or (c) agreed to by the parties, subject to the need for Engineer's recommendation if the change in the Work involves the design (as set forth in the Drawings, Specifications, or otherwise) or other engineering or technical matters; and
  4. Changes that embody the substance of any final and binding results under: Paragraph 11.03.B, resolving the impact of a Work Change Directive; Paragraph 11.09, concerning Change Proposals; Article 12, Claims; Paragraph 13.02.D, final adjustments resulting from allowances; Paragraph 13.03.D, final adjustments relating to determination of quantities for Unit Price Work; and similar provisions.
- B. If Owner or Contractor refuses to execute a Change Order that is required to be executed under the terms of Paragraph 11.02.A, it will be deemed to be of full force and effect, as if fully executed.

#### 11.03 *Work Change Directives*

- A. A Work Change Directive will not change the Contract Price or the Contract Times but is evidence that the parties expect that the modification ordered or documented by a Work Change Directive will be incorporated in a subsequently issued Change Order, following negotiations by the parties as to the Work Change Directive's effect, if any, on the Contract Price and Contract Times; or, if negotiations are unsuccessful, by a determination under the terms of the Contract Documents governing adjustments, expressly including Paragraph 11.07 regarding change of Contract Price.
- B. If Owner has issued a Work Change Directive and:
1. Contractor believes that an adjustment in Contract Times or Contract Price is necessary, then Contractor shall submit any Change Proposal seeking such an adjustment no later than 30 days after the completion of the Work set out in the Work Change Directive.
  2. Owner believes that an adjustment in Contract Times or Contract Price is necessary, then Owner shall submit any Claim seeking such an adjustment no later than 60 days after issuance of the Work Change Directive.

#### 11.04 *Field Orders*

- A. Engineer may authorize minor changes in the Work if the changes do not involve an adjustment in the Contract Price or the Contract Times and are compatible with the design concept of the completed Project as a functioning whole as indicated by the Contract Documents. Such changes will be accomplished by a Field Order and will be binding on Owner and also on Contractor, which shall perform the Work involved promptly.
- B. If Contractor believes that a Field Order justifies an adjustment in the Contract Price or Contract Times, then before proceeding with the Work at issue, Contractor shall submit a Change Proposal as provided herein.

#### 11.05 *Owner-Authorized Changes in the Work*

- A. Without invalidating the Contract and without notice to any surety, Owner may, at any time or from time to time, order additions, deletions, or revisions in the Work. Changes involving

the design (as set forth in the Drawings, Specifications, or otherwise) or other engineering or technical matters will be supported by Engineer's recommendation.

- B. Such changes in the Work may be accomplished by a Change Order, if Owner and Contractor have agreed as to the effect, if any, of the changes on Contract Times or Contract Price; or by a Work Change Directive. Upon receipt of any such document, Contractor shall promptly proceed with the Work involved; or, in the case of a deletion in the Work, promptly cease construction activities with respect to such deleted Work. Added or revised Work must be performed under the applicable conditions of the Contract Documents.
- C. Nothing in this Paragraph 11.05 obligates Contractor to undertake work that Contractor reasonably concludes cannot be performed in a manner consistent with Contractor's safety obligations under the Contract Documents or Laws and Regulations.

#### 11.06 *Unauthorized Changes in the Work*

- A. Contractor shall not be entitled to an increase in the Contract Price or an extension of the Contract Times with respect to any work performed that is not required by the Contract Documents, as amended, modified, or supplemented, except in the case of an emergency as provided in Paragraph 7.15 or in the case of uncovering Work as provided in Paragraph 14.05.C.2.

#### 11.07 *Change of Contract Price*

- A. The Contract Price may only be changed by a Change Order. Any Change Proposal for an adjustment in the Contract Price must comply with the provisions of Paragraph 11.09. Any Claim for an adjustment of Contract Price must comply with the provisions of Article 12.
- B. An adjustment in the Contract Price will be determined as follows:
  - 1. Where the Work involved is covered by unit prices contained in the Contract Documents, then by application of such unit prices to the quantities of the items involved (subject to the provisions of Paragraph 13.03);
  - 2. Where the Work involved is not covered by unit prices contained in the Contract Documents, then by a mutually agreed lump sum (which may include an allowance for overhead and profit not necessarily in accordance with Paragraph 11.07.C.2); or
  - 3. Where the Work involved is not covered by unit prices contained in the Contract Documents and the parties do not reach mutual agreement to a lump sum, then on the basis of the Cost of the Work (determined as provided in Paragraph 13.01) plus a Contractor's fee for overhead and profit (determined as provided in Paragraph 11.07.C).
- C. *Contractor's Fee:* When applicable, the Contractor's fee for overhead and profit will be determined as follows:
  - 1. A mutually acceptable fixed fee; or
  - 2. If a fixed fee is not agreed upon, then a fee based on the following percentages of the various portions of the Cost of the Work:
    - a. For costs incurred under Paragraphs 13.01.B.1 and 13.01.B.2, the Contractor's fee will be 15 percent;
    - b. For costs incurred under Paragraph 13.01.B.3, the Contractor's fee will be 5 percent;

- c. Where one or more tiers of subcontracts are on the basis of Cost of the Work plus a fee and no fixed fee is agreed upon, the intent of Paragraphs 11.07.C.2.a and 11.07.C.2.b is that the Contractor's fee will be based on: (1) a fee of 15 percent of the costs incurred under Paragraphs 13.01.B.1 and 13.01.B.2 by the Subcontractor that actually performs the Work, at whatever tier, and (2) with respect to Contractor itself and to any Subcontractors of a tier higher than that of the Subcontractor that actually performs the Work, a fee of 5 percent of the amount (fee plus underlying costs incurred) attributable to the next lower tier Subcontractor; provided, however, that for any such subcontracted Work the maximum total fee to be paid by Owner will be no greater than 27 percent of the costs incurred by the Subcontractor that actually performs the Work;
- d. No fee will be payable on the basis of costs itemized under Paragraphs 13.01.B.4, 13.01.B.5, and 13.01.C;
- e. The amount of credit to be allowed by Contractor to Owner for any change which results in a net decrease in Cost of the Work will be the amount of the actual net decrease in Cost of the Work and a deduction of an additional amount equal to 5 percent of such actual net decrease in Cost of the Work; and
- f. When both additions and credits are involved in any one change or Change Proposal, the adjustment in Contractor's fee will be computed by determining the sum of the costs in each of the cost categories in Paragraph 13.01.B (specifically, payroll costs, Paragraph 13.01.B.1; incorporated materials and equipment costs, Paragraph 13.01.B.2; Subcontract costs, Paragraph 13.01.B.3; special consultants costs, Paragraph 13.01.B.4; and other costs, Paragraph 13.01.B.5) and applying to each such cost category sum the appropriate fee from Paragraphs 11.07.C.2.a through 11.07.C.2.e, inclusive.

#### 11.08 *Change of Contract Times*

- A. The Contract Times may only be changed by a Change Order. Any Change Proposal for an adjustment in the Contract Times must comply with the provisions of Paragraph 11.09. Any Claim for an adjustment in the Contract Times must comply with the provisions of Article 12.
- B. Delay, disruption, and interference in the Work, and any related changes in Contract Times, are addressed in and governed by Paragraph 4.05.

#### 11.09 *Change Proposals*

- A. *Purpose and Content:* Contractor shall submit a Change Proposal to Engineer to request an adjustment in the Contract Times or Contract Price; contest an initial decision by Engineer concerning the requirements of the Contract Documents or relating to the acceptability of the Work under the Contract Documents; challenge a set-off against payment due; or seek other relief under the Contract. The Change Proposal will specify any proposed change in Contract Times or Contract Price, or other proposed relief, and explain the reason for the proposed change, with citations to any governing or applicable provisions of the Contract Documents. Each Change Proposal will address only one issue, or a set of closely related issues.

B. *Change Proposal Procedures*

1. *Submittal*: Contractor shall submit each Change Proposal to Engineer within 30 days after the start of the event giving rise thereto, or after such initial decision.
2. *Supporting Data*: The Contractor shall submit supporting data, including the proposed change in Contract Price or Contract Time (if any), to the Engineer and Owner within 15 days after the submittal of the Change Proposal.
  - a. Change Proposals based on or related to delay, interruption, or interference must comply with the provisions of Paragraphs 4.05.D and 4.05.E.
  - b. Change proposals related to a change of Contract Price must include full and detailed accounts of materials incorporated into the Work and labor and equipment used for the subject Work.

The supporting data must be accompanied by a written statement that the supporting data are accurate and complete, and that any requested time or price adjustment is the entire adjustment to which Contractor believes it is entitled as a result of said event.

3. *Engineer's Initial Review*: Engineer will advise Owner regarding the Change Proposal, and consider any comments or response from Owner regarding the Change Proposal. If in its discretion Engineer concludes that additional supporting data is needed before conducting a full review and making a decision regarding the Change Proposal, then Engineer may request that Contractor submit such additional supporting data by a date specified by Engineer, prior to Engineer beginning its full review of the Change Proposal.
  4. *Engineer's Full Review and Action on the Change Proposal*: Upon receipt of Contractor's supporting data (including any additional data requested by Engineer), Engineer will conduct a full review of each Change Proposal and, within 30 days after such receipt of the Contractor's supporting data, either approve the Change Proposal in whole, deny it in whole, or approve it in part and deny it in part. Such actions must be in writing, with a copy provided to Owner and Contractor. If Engineer does not take action on the Change Proposal within 30 days, then either Owner or Contractor may at any time thereafter submit a letter to the other party indicating that as a result of Engineer's inaction the Change Proposal is deemed denied, thereby commencing the time for appeal of the denial under Article 12.
  5. *Binding Decision*: Engineer's decision is final and binding upon Owner and Contractor, unless Owner or Contractor appeals the decision by filing a Claim under Article 12.
- C. *Resolution of Certain Change Proposals*: If the Change Proposal does not involve the design (as set forth in the Drawings, Specifications, or otherwise), the acceptability of the Work, or other engineering or technical matters, then Engineer will notify the parties in writing that the Engineer is unable to resolve the Change Proposal. For purposes of further resolution of such a Change Proposal, such notice will be deemed a denial, and Contractor may choose to seek resolution under the terms of Article 12.
- D. *Post-Completion*: Contractor shall not submit any Change Proposals after Engineer issues a written recommendation of final payment pursuant to Paragraph 15.06.B.

#### 11.10 *Notification to Surety*

- A. If the provisions of any bond require notice to be given to a surety of any change affecting the general scope of the Work or the provisions of the Contract Documents (including, but not limited to, Contract Price or Contract Times), the giving of any such notice will be Contractor's responsibility. The amount of each applicable bond will be adjusted to reflect the effect of any such change.

### **ARTICLE 12—CLAIMS**

#### 12.01 *Claims*

- A. *Claims Process*: The following disputes between Owner and Contractor are subject to the Claims process set forth in this article:
  - 1. Appeals by Owner or Contractor of Engineer's decisions regarding Change Proposals;
  - 2. Owner demands for adjustments in the Contract Price or Contract Times, or other relief under the Contract Documents;
  - 3. Disputes that Engineer has been unable to address because they do not involve the design (as set forth in the Drawings, Specifications, or otherwise), the acceptability of the Work, or other engineering or technical matters; and
  - 4. Subject to the waiver provisions of Paragraph 15.07, any dispute arising after Engineer has issued a written recommendation of final payment pursuant to Paragraph 15.06.B.
- B. *Submittal of Claim*: The party submitting a Claim shall deliver it directly to the other party to the Contract promptly (but in no event later than 30 days) after the start of the event giving rise thereto; in the case of appeals regarding Change Proposals within 30 days of the decision under appeal. The party submitting the Claim shall also furnish a copy to the Engineer, for its information only. The responsibility to substantiate a Claim rests with the party making the Claim. In the case of a Claim by Contractor seeking an increase in the Contract Times or Contract Price, Contractor shall certify that the Claim is made in good faith, that the supporting data are accurate and complete, and that to the best of Contractor's knowledge and belief the amount of time or money requested accurately reflects the full amount to which Contractor is entitled.
- C. *Review and Resolution*: The party receiving a Claim shall review it thoroughly, giving full consideration to its merits. The two parties shall seek to resolve the Claim through the exchange of information and direct negotiations. The parties may extend the time for resolving the Claim by mutual agreement. All actions taken on a Claim will be stated in writing and submitted to the other party, with a copy to Engineer.
- D. *Mediation*
  - 1. At any time after initiation of a Claim, Owner and Contractor may mutually agree to mediation of the underlying dispute. The agreement to mediate will stay the Claim submittal and response process.
  - 2. If Owner and Contractor agree to mediation, then after 60 days from such agreement, either Owner or Contractor may unilaterally terminate the mediation process, and the Claim submittal and decision process will resume as of the date of the termination. If the mediation proceeds but is unsuccessful in resolving the dispute, the Claim submittal

and decision process will resume as of the date of the conclusion of the mediation, as determined by the mediator.

3. Owner and Contractor shall each pay one-half of the mediator's fees and costs.
- E. *Partial Approval*: If the party receiving a Claim approves the Claim in part and denies it in part, such action will be final and binding unless within 30 days of such action the other party invokes the procedure set forth in Article 17 for final resolution of disputes.
- F. *Denial of Claim*: If efforts to resolve a Claim are not successful, the party receiving the Claim may deny it by giving written notice of denial to the other party. If the receiving party does not take action on the Claim within 90 days, then either Owner or Contractor may at any time thereafter submit a letter to the other party indicating that as a result of the inaction, the Claim is deemed denied, thereby commencing the time for appeal of the denial. A denial of the Claim will be final and binding unless within 30 days of the denial the other party invokes the procedure set forth in Article 17 for the final resolution of disputes.
- G. *Final and Binding Results*: If the parties reach a mutual agreement regarding a Claim, whether through approval of the Claim, direct negotiations, mediation, or otherwise; or if a Claim is approved in part and denied in part, or denied in full, and such actions become final and binding; then the results of the agreement or action on the Claim will be incorporated in a Change Order or other written document to the extent they affect the Contract, including the Work, the Contract Times, or the Contract Price.

## **ARTICLE 13—COST OF THE WORK; ALLOWANCES; UNIT PRICE WORK**

### **13.01 *Cost of the Work***

- A. *Purposes for Determination of Cost of the Work*: The term Cost of the Work means the sum of all costs necessary for the proper performance of the Work at issue, as further defined below. The provisions of this Paragraph 13.01 are used for two distinct purposes:
  1. To determine Cost of the Work when Cost of the Work is a component of the Contract Price, under cost-plus-fee, time-and-materials, or other cost-based terms; or
  2. When needed to determine the value of a Change Order, Change Proposal, Claim, set-off, or other adjustment in Contract Price. When the value of any such adjustment is determined on the basis of Cost of the Work, Contractor is entitled only to those additional or incremental costs required because of the change in the Work or because of the event giving rise to the adjustment.
- B. *Costs Included*: Except as otherwise may be agreed to in writing by Owner, costs included in the Cost of the Work will be in amounts no higher than those commonly incurred in the locality of the Project, will not include any of the costs itemized in Paragraph 13.01.C, and will include only the following items:
  1. Payroll costs for employees in the direct employ of Contractor in the performance of the Work under schedules of job classifications agreed upon by Owner and Contractor in advance of the subject Work. Such employees include, without limitation, superintendents, foremen, safety managers, safety representatives, and other personnel employed full time on the Work. Payroll costs for employees not employed full time on the Work will be apportioned on the basis of their time spent on the Work. Payroll costs include, but are not limited to, salaries and wages plus the cost of fringe

benefits, which include social security contributions, unemployment, excise, and payroll taxes, workers' compensation, health and retirement benefits, sick leave, and vacation and holiday pay applicable thereto. The expenses of performing Work outside of regular working hours, on Saturday, Sunday, or legal holidays, will be included in the above to the extent authorized by Owner.

2. Cost of all materials and equipment furnished and incorporated in the Work, including costs of transportation and storage thereof, and Suppliers' field services required in connection therewith. All cash discounts accrue to Contractor unless Owner deposits funds with Contractor with which to make payments, in which case the cash discounts will accrue to Owner. All trade discounts, rebates, and refunds and returns from sale of surplus materials and equipment will accrue to Owner, and Contractor shall make provisions so that they may be obtained.
3. Payments made by Contractor to Subcontractors for Work performed by Subcontractors. If required by Owner, Contractor shall obtain competitive bids from subcontractors acceptable to Owner and Contractor and shall deliver such bids to Owner, which will then determine, with the advice of Engineer, which bids, if any, will be acceptable. If any subcontract provides that the Subcontractor is to be paid on the basis of Cost of the Work plus a fee, the Subcontractor's Cost of the Work and fee will be determined in the same manner as Contractor's Cost of the Work and fee as provided in this Paragraph 13.01.
4. Costs of special consultants (including but not limited to engineers, architects, testing laboratories, surveyors, attorneys, and accountants) employed or retained for services specifically related to the Work.
5. Other costs consisting of the following:
  - a. The proportion of necessary transportation, travel, and subsistence expenses of Contractor's employees incurred in discharge of duties connected with the Work.
  - b. Cost, including transportation and maintenance, of all materials, supplies, equipment, machinery, appliances, office, and temporary facilities at the Site, which are consumed in the performance of the Work, and cost, less market value, of such items used but not consumed which remain the property of Contractor.
    - 1) In establishing included costs for materials such as scaffolding, plating, or sheeting, consideration will be given to the actual or the estimated life of the material for use on other projects; or rental rates may be established on the basis of purchase or salvage value of such items, whichever is less. Contractor will not be eligible for compensation for such items in an amount that exceeds the purchase cost of such item.
  - c. *Construction Equipment Rental*
    - 1) Rentals of all construction equipment and machinery, and the parts thereof, in accordance with rental agreements approved by Owner as to price (including any surcharge or special rates applicable to overtime use of the construction equipment or machinery), and the costs of transportation, loading, unloading, assembly, dismantling, and removal thereof. All such costs will be in accordance with the terms of said rental agreements. The rental of any such equipment,

machinery, or parts must cease when the use thereof is no longer necessary for the Work.

- 2) Costs for equipment and machinery owned by Contractor or a Contractor-related entity will be paid at a rate shown for such equipment in the equipment rental rate book specified in the Supplementary Conditions. An hourly rate will be computed by dividing the monthly rates by 176. These computed rates will include all operating costs.
  - 3) With respect to Work that is the result of a Change Order, Change Proposal, Claim, set-off, or other adjustment in Contract Price ("changed Work"), included costs will be based on the time the equipment or machinery is in use on the changed Work and the costs of transportation, loading, unloading, assembly, dismantling, and removal when directly attributable to the changed Work. The cost of any such equipment or machinery, or parts thereof, must cease to accrue when the use thereof is no longer necessary for the changed Work.
- d. Sales, consumer, use, and other similar taxes related to the Work, and for which Contractor is liable, as imposed by Laws and Regulations.
  - e. Deposits lost for causes other than negligence of Contractor, any Subcontractor, or anyone directly or indirectly employed by any of them or for whose acts any of them may be liable, and royalty payments and fees for permits and licenses.
  - f. Losses and damages (and related expenses) caused by damage to the Work, not compensated by insurance or otherwise, sustained by Contractor in connection with the performance of the Work (except losses and damages within the deductible amounts of builder's risk or other property insurance established in accordance with Paragraph 6.04), provided such losses and damages have resulted from causes other than the negligence of Contractor, any Subcontractor, or anyone directly or indirectly employed by any of them or for whose acts any of them may be liable. Such losses include settlements made with the written consent and approval of Owner. No such losses, damages, and expenses will be included in the Cost of the Work for the purpose of determining Contractor's fee.
  - g. The cost of utilities, fuel, and sanitary facilities at the Site.
  - h. Minor expenses such as communication service at the Site, express and courier services, and similar petty cash items in connection with the Work.
  - i. The costs of premiums for all bonds and insurance that Contractor is required by the Contract Documents to purchase and maintain.
- C. *Costs Excluded*: The term Cost of the Work does not include any of the following items:
1. Payroll costs and other compensation of Contractor's officers, executives, principals, general managers, engineers, architects, estimators, attorneys, auditors, accountants, purchasing and contracting agents, expeditors, timekeepers, clerks, and other personnel employed by Contractor, whether at the Site or in Contractor's principal or branch office for general administration of the Work and not specifically included in the agreed upon schedule of job classifications referred to in Paragraph 13.01.B.1 or specifically covered by Paragraph 13.01.B.4. The payroll costs and other compensation excluded here are to be considered administrative costs covered by the Contractor's fee.



2. The cost of purchasing, renting, or furnishing small tools and hand tools.
3. Expenses of Contractor's principal and branch offices other than Contractor's office at the Site.
4. Any part of Contractor's capital expenses, including interest on Contractor's capital employed for the Work and charges against Contractor for delinquent payments.
5. Costs due to the negligence of Contractor, any Subcontractor, or anyone directly or indirectly employed by any of them or for whose acts any of them may be liable, including but not limited to, the correction of defective Work, disposal of materials or equipment wrongly supplied, and making good any damage to property.
6. Expenses incurred in preparing and advancing Claims.
7. Other overhead or general expense costs of any kind and the costs of any item not specifically and expressly included in Paragraph 13.01.B.

D. *Contractor's Fee*

1. When the Work as a whole is performed on the basis of cost-plus-a-fee, then:
  - a. Contractor's fee for the Work set forth in the Contract Documents as of the Effective Date of the Contract will be determined as set forth in the Agreement.
  - b. for any Work covered by a Change Order, Change Proposal, Claim, set-off, or other adjustment in Contract Price on the basis of Cost of the Work, Contractor's fee will be determined as follows:
    - 1) When the fee for the Work as a whole is a percentage of the Cost of the Work, the fee will automatically adjust as the Cost of the Work changes.
    - 2) When the fee for the Work as a whole is a fixed fee, the fee for any additions or deletions will be determined in accordance with Paragraph 11.07.C.2.
2. When the Work as a whole is performed on the basis of a stipulated sum, or any other basis other than cost-plus-a-fee, then Contractor's fee for any Work covered by a Change Order, Change Proposal, Claim, set-off, or other adjustment in Contract Price on the basis of Cost of the Work will be determined in accordance with Paragraph 11.07.C.2.

- E. *Documentation and Audit:* Whenever the Cost of the Work for any purpose is to be determined pursuant to this Article 13, Contractor and pertinent Subcontractors will establish and maintain records of the costs in accordance with generally accepted accounting practices. Subject to prior written notice, Owner will be afforded reasonable access, during normal business hours, to all Contractor's accounts, records, books, correspondence, instructions, drawings, receipts, vouchers, memoranda, and similar data relating to the Cost of the Work and Contractor's fee. Contractor shall preserve all such documents for a period of three years after the final payment by Owner. Pertinent Subcontractors will afford such access to Owner, and preserve such documents, to the same extent required of Contractor.

### 13.02 Allowances

- A. It is understood that Contractor has included in the Contract Price all allowances so named in the Contract Documents and shall cause the Work so covered to be performed for such sums and by such persons or entities as may be acceptable to Owner and Engineer.
- B. *Cash Allowances*: Contractor agrees that:
  - 1. the cash allowances include the cost to Contractor (less any applicable trade discounts) of materials and equipment required by the allowances to be delivered at the Site, and all applicable taxes; and
  - 2. Contractor's costs for unloading and handling on the Site, labor, installation, overhead, profit, and other expenses contemplated for the cash allowances have been included in the Contract Price and not in the allowances, and no demand for additional payment for any of the foregoing will be valid.
- C. *Owner's Contingency Allowance*: Contractor agrees that an Owner's contingency allowance, if any, is for the sole use of Owner to cover unanticipated costs.
- D. Prior to final payment, an appropriate Change Order will be issued as recommended by Engineer to reflect actual amounts due Contractor for Work covered by allowances, and the Contract Price will be correspondingly adjusted.

### 13.03 Unit Price Work

- A. Where the Contract Documents provide that all or part of the Work is to be Unit Price Work, initially the Contract Price will be deemed to include for all Unit Price Work an amount equal to the sum of the unit price for each separately identified item of Unit Price Work times the estimated quantity of each item as indicated in the Agreement.
- B. The estimated quantities of items of Unit Price Work are not guaranteed and are solely for the purpose of comparison of Bids and determining an initial Contract Price. Payments to Contractor for Unit Price Work will be based on actual quantities.
- C. Each unit price will be deemed to include an amount considered by Contractor to be adequate to cover Contractor's overhead and profit for each separately identified item.
- D. Engineer will determine the actual quantities and classifications of Unit Price Work performed by Contractor. Engineer will review with Contractor the Engineer's preliminary determinations on such matters before rendering a written decision thereon (by recommendation of an Application for Payment or otherwise). Engineer's written decision thereon will be final and binding (except as modified by Engineer to reflect changed factual conditions or more accurate data) upon Owner and Contractor, and the final adjustment of Contract Price will be set forth in a Change Order, subject to the provisions of the following paragraph.
- E. *Adjustments in Unit Price*
  - 1. Contractor or Owner shall be entitled to an adjustment in the unit price with respect to an item of Unit Price Work if:
    - a. the quantity of the item of Unit Price Work performed by Contractor differs materially and significantly from the estimated quantity of such item indicated in the Agreement; and

- b. Contractor's unit costs to perform the item of Unit Price Work have changed materially and significantly as a result of the quantity change.
2. The adjustment in unit price will account for and be coordinated with any related changes in quantities of other items of Work, and in Contractor's costs to perform such other Work, such that the resulting overall change in Contract Price is equitable to Owner and Contractor.
3. Adjusted unit prices will apply to all units of that item.

**ARTICLE 14—TESTS AND INSPECTIONS; CORRECTION, REMOVAL, OR ACCEPTANCE OF DEFECTIVE WORK**

**14.01** *Access to Work*

- A. Owner, Engineer, their consultants and other representatives and personnel of Owner, independent testing laboratories, and authorities having jurisdiction have access to the Site and the Work at reasonable times for their observation, inspection, and testing. Contractor shall provide them proper and safe conditions for such access and advise them of Contractor's safety procedures and programs so that they may comply with such procedures and programs as applicable.

**14.02** *Tests, Inspections, and Approvals*

- A. Contractor shall give Engineer timely notice of readiness of the Work (or specific parts thereof) for all required inspections and tests, and shall cooperate with inspection and testing personnel to facilitate required inspections and tests.
- B. Owner shall retain and pay for the services of an independent inspector, testing laboratory, or other qualified individual or entity to perform all inspections and tests expressly required by the Contract Documents to be furnished and paid for by Owner, except that costs incurred in connection with tests or inspections of covered Work will be governed by the provisions of Paragraph 14.05.
- C. If Laws or Regulations of any public body having jurisdiction require any Work (or part thereof) specifically to be inspected, tested, or approved by an employee or other representative of such public body, Contractor shall assume full responsibility for arranging and obtaining such inspections, tests, or approvals, pay all costs in connection therewith, and furnish Engineer the required certificates of inspection or approval.
- D. Contractor shall be responsible for arranging, obtaining, and paying for all inspections and tests required:
  1. by the Contract Documents, unless the Contract Documents expressly allocate responsibility for a specific inspection or test to Owner;
  2. to attain Owner's and Engineer's acceptance of materials or equipment to be incorporated in the Work;
  3. by manufacturers of equipment furnished under the Contract Documents;
  4. for testing, adjusting, and balancing of mechanical, electrical, and other equipment to be incorporated into the Work; and

5. for acceptance of materials, mix designs, or equipment submitted for approval prior to Contractor's purchase thereof for incorporation in the Work.

Such inspections and tests will be performed by independent inspectors, testing laboratories, or other qualified individuals or entities acceptable to Owner and Engineer.

- E. If the Contract Documents require the Work (or part thereof) to be approved by Owner, Engineer, or another designated individual or entity, then Contractor shall assume full responsibility for arranging and obtaining such approvals.
- F. If any Work (or the work of others) that is to be inspected, tested, or approved is covered by Contractor without written concurrence of Engineer, Contractor shall, if requested by Engineer, uncover such Work for observation. Such uncovering will be at Contractor's expense unless Contractor had given Engineer timely notice of Contractor's intention to cover the same and Engineer had not acted with reasonable promptness in response to such notice.

#### 14.03 *Defective Work*

- A. *Contractor's Obligation:* It is Contractor's obligation to assure that the Work is not defective.
- B. *Engineer's Authority:* Engineer has the authority to determine whether Work is defective, and to reject defective Work.
- C. *Notice of Defects:* Prompt written notice of all defective Work of which Owner or Engineer has actual knowledge will be given to Contractor.
- D. *Correction, or Removal and Replacement:* Promptly after receipt of written notice of defective Work, Contractor shall correct all such defective Work, whether or not fabricated, installed, or completed, or, if Engineer has rejected the defective Work, remove it from the Project and replace it with Work that is not defective.
- E. *Preservation of Warranties:* When correcting defective Work, Contractor shall take no action that would void or otherwise impair Owner's special warranty and guarantee, if any, on said Work.
- F. *Costs and Damages:* In addition to its correction, removal, and replacement obligations with respect to defective Work, Contractor shall pay all claims, costs, losses, and damages arising out of or relating to defective Work, including but not limited to the cost of the inspection, testing, correction, removal, replacement, or reconstruction of such defective Work, fines levied against Owner by governmental authorities because the Work is defective, and the costs of repair or replacement of work of others resulting from defective Work. Prior to final payment, if Owner and Contractor are unable to agree as to the measure of such claims, costs, losses, and damages resulting from defective Work, then Owner may impose a reasonable set-off against payments due under Article 15.

#### 14.04 *Acceptance of Defective Work*

- A. If, instead of requiring correction or removal and replacement of defective Work, Owner prefers to accept it, Owner may do so (subject, if such acceptance occurs prior to final payment, to Engineer's confirmation that such acceptance is in general accord with the design intent and applicable engineering principles, and will not endanger public safety). Contractor shall pay all claims, costs, losses, and damages attributable to Owner's evaluation of and determination to accept such defective Work (such costs to be approved

by Engineer as to reasonableness), and for the diminished value of the Work to the extent not otherwise paid by Contractor. If any such acceptance occurs prior to final payment, the necessary revisions in the Contract Documents with respect to the Work will be incorporated in a Change Order. If the parties are unable to agree as to the decrease in the Contract Price, reflecting the diminished value of Work so accepted, then Owner may impose a reasonable set-off against payments due under Article 15. If the acceptance of defective Work occurs after final payment, Contractor shall pay an appropriate amount to Owner.

#### 14.05 *Uncovering Work*

- A. Engineer has the authority to require additional inspection or testing of the Work, whether or not the Work is fabricated, installed, or completed.
- B. If any Work is covered contrary to the written request of Engineer, then Contractor shall, if requested by Engineer, uncover such Work for Engineer's observation, and then replace the covering, all at Contractor's expense.
- C. If Engineer considers it necessary or advisable that covered Work be observed by Engineer or inspected or tested by others, then Contractor, at Engineer's request, shall uncover, expose, or otherwise make available for observation, inspection, or testing as Engineer may require, that portion of the Work in question, and provide all necessary labor, material, and equipment.
  - 1. If it is found that the uncovered Work is defective, Contractor shall be responsible for all claims, costs, losses, and damages arising out of or relating to such uncovering, exposure, observation, inspection, and testing, and of satisfactory replacement or reconstruction (including but not limited to all costs of repair or replacement of work of others); and pending Contractor's full discharge of this responsibility the Owner shall be entitled to impose a reasonable set-off against payments due under Article 15.
  - 2. If the uncovered Work is not found to be defective, Contractor shall be allowed an increase in the Contract Price or an extension of the Contract Times, directly attributable to such uncovering, exposure, observation, inspection, testing, replacement, and reconstruction. If the parties are unable to agree as to the amount or extent thereof, then Contractor may submit a Change Proposal within 30 days of the determination that the Work is not defective.

#### 14.06 *Owner May Stop the Work*

- A. If the Work is defective, or Contractor fails to supply sufficient skilled workers or suitable materials or equipment, or fails to perform the Work in such a way that the completed Work will conform to the Contract Documents, then Owner may order Contractor to stop the Work, or any portion thereof, until the cause for such order has been eliminated; however, this right of Owner to stop the Work will not give rise to any duty on the part of Owner to exercise this right for the benefit of Contractor, any Subcontractor, any Supplier, any other individual or entity, or any surety for, or employee or agent of any of them.

#### 14.07 *Owner May Correct Defective Work*

- A. If Contractor fails within a reasonable time after written notice from Engineer to correct defective Work, or to remove and replace defective Work as required by Engineer, then

Owner may, after 7 days' written notice to Contractor, correct or remedy any such deficiency.

- B. In exercising the rights and remedies under this Paragraph 14.07, Owner shall proceed expeditiously. In connection with such corrective or remedial action, Owner may exclude Contractor from all or part of the Site, take possession of all or part of the Work and suspend Contractor's services related thereto, and incorporate in the Work all materials and equipment stored at the Site or for which Owner has paid Contractor but which are stored elsewhere. Contractor shall allow Owner, Owner's representatives, agents and employees, Owner's other contractors, and Engineer and Engineer's consultants access to the Site to enable Owner to exercise the rights and remedies under this paragraph.
- C. All claims, costs, losses, and damages incurred or sustained by Owner in exercising the rights and remedies under this Paragraph 14.07 will be charged against Contractor as set-offs against payments due under Article 15. Such claims, costs, losses and damages will include but not be limited to all costs of repair, or replacement of work of others destroyed or damaged by correction, removal, or replacement of Contractor's defective Work.
- D. Contractor shall not be allowed an extension of the Contract Times because of any delay in the performance of the Work attributable to the exercise by Owner of Owner's rights and remedies under this Paragraph 14.07.

## **ARTICLE 15—PAYMENTS TO CONTRACTOR; SET-OFFS; COMPLETION; CORRECTION PERIOD**

### **15.01 *Progress Payments***

- A. *Basis for Progress Payments*: The Schedule of Values established as provided in Article 2 will serve as the basis for progress payments and will be incorporated into a form of Application for Payment acceptable to Engineer. Progress payments for Unit Price Work will be based on the number of units completed during the pay period, as determined under the provisions of Paragraph 13.03. Progress payments for cost-based Work will be based on Cost of the Work completed by Contractor during the pay period.
- B. *Applications for Payments*
  - 1. At least 20 days before the date established in the Agreement for each progress payment (but not more often than once a month), Contractor shall submit to Engineer for review an Application for Payment filled out and signed by Contractor covering the Work completed as of the date of the Application and accompanied by such supporting documentation as is required by the Contract Documents.
  - 2. If payment is requested on the basis of materials and equipment not incorporated in the Work but delivered and suitably stored at the Site or at another location agreed to in writing, the Application for Payment must also be accompanied by: (a) a bill of sale, invoice, copies of subcontract or purchase order payments, or other documentation establishing full payment by Contractor for the materials and equipment; (b) at Owner's request, documentation warranting that Owner has received the materials and equipment free and clear of all Liens; and (c) evidence that the materials and equipment are covered by appropriate property insurance, a warehouse bond, or other arrangements to protect Owner's interest therein, all of which must be satisfactory to Owner.

3. Beginning with the second Application for Payment, each Application must include an affidavit of Contractor stating that all previous progress payments received by Contractor have been applied to discharge Contractor's legitimate obligations associated with prior Applications for Payment.
4. The amount of retainage with respect to progress payments will be as stipulated in the Agreement.

C. *Review of Applications*

1. Engineer will, within 10 days after receipt of each Application for Payment, including each resubmittal, either indicate in writing a recommendation of payment and present the Application to Owner, or return the Application to Contractor indicating in writing Engineer's reasons for refusing to recommend payment. In the latter case, Contractor may make the necessary corrections and resubmit the Application.
2. Engineer's recommendation of any payment requested in an Application for Payment will constitute a representation by Engineer to Owner, based on Engineer's observations of the executed Work as an experienced and qualified design professional, and on Engineer's review of the Application for Payment and the accompanying data and schedules, that to the best of Engineer's knowledge, information and belief:
  - a. the Work has progressed to the point indicated;
  - b. the quality of the Work is generally in accordance with the Contract Documents (subject to an evaluation of the Work as a functioning whole prior to or upon Substantial Completion, the results of any subsequent tests called for in the Contract Documents, a final determination of quantities and classifications for Unit Price Work under Paragraph 13.03, and any other qualifications stated in the recommendation); and
  - c. the conditions precedent to Contractor's being entitled to such payment appear to have been fulfilled in so far as it is Engineer's responsibility to observe the Work.
3. By recommending any such payment Engineer will not thereby be deemed to have represented that:
  - a. inspections made to check the quality or the quantity of the Work as it has been performed have been exhaustive, extended to every aspect of the Work in progress, or involved detailed inspections of the Work beyond the responsibilities specifically assigned to Engineer in the Contract; or
  - b. there may not be other matters or issues between the parties that might entitle Contractor to be paid additionally by Owner or entitle Owner to withhold payment to Contractor.
4. Neither Engineer's review of Contractor's Work for the purposes of recommending payments nor Engineer's recommendation of any payment, including final payment, will impose responsibility on Engineer:
  - a. to supervise, direct, or control the Work;
  - b. for the means, methods, techniques, sequences, or procedures of construction, or the safety precautions and programs incident thereto;

- c. for Contractor's failure to comply with Laws and Regulations applicable to Contractor's performance of the Work;
  - d. to make any examination to ascertain how or for what purposes Contractor has used the money paid by Owner; or
  - e. to determine that title to any of the Work, materials, or equipment has passed to Owner free and clear of any Liens.
5. Engineer may refuse to recommend the whole or any part of any payment if, in Engineer's opinion, it would be incorrect to make the representations to Owner stated in Paragraph 15.01.C.2.
6. Engineer will recommend reductions in payment (set-offs) necessary in Engineer's opinion to protect Owner from loss because:
- a. the Work is defective, requiring correction or replacement;
  - b. the Contract Price has been reduced by Change Orders;
  - c. Owner has been required to correct defective Work in accordance with Paragraph 14.07, or has accepted defective Work pursuant to Paragraph 14.04;
  - d. Owner has been required to remove or remediate a Hazardous Environmental Condition for which Contractor is responsible; or
  - e. Engineer has actual knowledge of the occurrence of any of the events that would constitute a default by Contractor and therefore justify termination for cause under the Contract Documents.

*D. Payment Becomes Due*

1. Ten days after presentation of the Application for Payment to Owner with Engineer's recommendation, the amount recommended (subject to any Owner set-offs) will become due, and when due will be paid by Owner to Contractor.

*E. Reductions in Payment by Owner*

1. In addition to any reductions in payment (set-offs) recommended by Engineer, Owner is entitled to impose a set-off against payment based on any of the following:
- a. Claims have been made against Owner based on Contractor's conduct in the performance or furnishing of the Work, or Owner has incurred costs, losses, or damages resulting from Contractor's conduct in the performance or furnishing of the Work, including but not limited to claims, costs, losses, or damages from workplace injuries, adjacent property damage, non-compliance with Laws and Regulations, and patent infringement;
  - b. Contractor has failed to take reasonable and customary measures to avoid damage, delay, disruption, and interference with other work at or adjacent to the Site;
  - c. Contractor has failed to provide and maintain required bonds or insurance;
  - d. Owner has been required to remove or remediate a Hazardous Environmental Condition for which Contractor is responsible;



- e. Owner has incurred extra charges or engineering costs related to submittal reviews, evaluations of proposed substitutes, tests and inspections, or return visits to manufacturing or assembly facilities;
  - f. The Work is defective, requiring correction or replacement;
  - g. Owner has been required to correct defective Work in accordance with Paragraph 14.07, or has accepted defective Work pursuant to Paragraph 14.04;
  - h. The Contract Price has been reduced by Change Orders;
  - i. An event has occurred that would constitute a default by Contractor and therefore justify a termination for cause;
  - j. Liquidated or other damages have accrued as a result of Contractor's failure to achieve Milestones, Substantial Completion, or final completion of the Work;
  - k. Liens have been filed in connection with the Work, except where Contractor has delivered a specific bond satisfactory to Owner to secure the satisfaction and discharge of such Liens; or
  - l. Other items entitle Owner to a set-off against the amount recommended.
2. If Owner imposes any set-off against payment, whether based on its own knowledge or on the written recommendations of Engineer, Owner will give Contractor immediate written notice (with a copy to Engineer) stating the reasons for such action and the specific amount of the reduction, and promptly pay Contractor any amount remaining after deduction of the amount so withheld. Owner shall promptly pay Contractor the amount so withheld, or any adjustment thereto agreed to by Owner and Contractor, if Contractor remedies the reasons for such action. The reduction imposed will be binding on Contractor unless it duly submits a Change Proposal contesting the reduction.
  3. Upon a subsequent determination that Owner's refusal of payment was not justified, the amount wrongfully withheld will be treated as an amount due as determined by Paragraph 15.01.D.1 and subject to interest as provided in the Agreement.

15.02 *Contractor's Warranty of Title*

- A. Contractor warrants and guarantees that title to all Work, materials, and equipment furnished under the Contract will pass to Owner free and clear of (1) all Liens and other title defects, and (2) all patent, licensing, copyright, or royalty obligations, no later than 7 days after the time of payment by Owner.

15.03 *Substantial Completion*

- A. When Contractor considers the entire Work ready for its intended use Contractor shall notify Owner and Engineer in writing that the entire Work is substantially complete and request that Engineer issue a certificate of Substantial Completion. Contractor shall at the same time submit to Owner and Engineer an initial draft of punch list items to be completed or corrected before final payment.
- B. Promptly after Contractor's notification, Owner, Contractor, and Engineer shall make an inspection of the Work to determine the status of completion. If Engineer does not consider the Work substantially complete, Engineer will notify Contractor in writing giving the reasons therefor.

- C. If Engineer considers the Work substantially complete, Engineer will deliver to Owner a preliminary certificate of Substantial Completion which will fix the date of Substantial Completion. Engineer shall attach to the certificate a punch list of items to be completed or corrected before final payment. Owner shall have 7 days after receipt of the preliminary certificate during which to make written objection to Engineer as to any provisions of the certificate or attached punch list. If, after considering the objections to the provisions of the preliminary certificate, Engineer concludes that the Work is not substantially complete, Engineer will, within 14 days after submission of the preliminary certificate to Owner, notify Contractor in writing that the Work is not substantially complete, stating the reasons therefor. If Owner does not object to the provisions of the certificate, or if despite consideration of Owner's objections Engineer concludes that the Work is substantially complete, then Engineer will, within said 14 days, execute and deliver to Owner and Contractor a final certificate of Substantial Completion (with a revised punch list of items to be completed or corrected) reflecting such changes from the preliminary certificate as Engineer believes justified after consideration of any objections from Owner.
- D. At the time of receipt of the preliminary certificate of Substantial Completion, Owner and Contractor will confer regarding Owner's use or occupancy of the Work following Substantial Completion, review the builder's risk insurance policy with respect to the end of the builder's risk coverage, and confirm the transition to coverage of the Work under a permanent property insurance policy held by Owner. Unless Owner and Contractor agree otherwise in writing, Owner shall bear responsibility for security, operation, protection of the Work, property insurance, maintenance, heat, and utilities upon Owner's use or occupancy of the Work.
- E. After Substantial Completion the Contractor shall promptly begin work on the punch list of items to be completed or corrected prior to final payment. In appropriate cases Contractor may submit monthly Applications for Payment for completed punch list items, following the progress payment procedures set forth above.
- F. Owner shall have the right to exclude Contractor from the Site after the date of Substantial Completion subject to allowing Contractor reasonable access to remove its property and complete or correct items on the punch list.

#### 15.04 *Partial Use or Occupancy*

- A. Prior to Substantial Completion of all the Work, Owner may use or occupy any substantially completed part of the Work which has specifically been identified in the Contract Documents, or which Owner, Engineer, and Contractor agree constitutes a separately functioning and usable part of the Work that can be used by Owner for its intended purpose without significant interference with Contractor's performance of the remainder of the Work, subject to the following conditions:
  - 1. At any time, Owner may request in writing that Contractor permit Owner to use or occupy any such part of the Work that Owner believes to be substantially complete. If and when Contractor agrees that such part of the Work is substantially complete, Contractor, Owner, and Engineer will follow the procedures of Paragraph 15.03.A through 15.03.E for that part of the Work.

2. At any time, Contractor may notify Owner and Engineer in writing that Contractor considers any such part of the Work substantially complete and request Engineer to issue a certificate of Substantial Completion for that part of the Work.
3. Within a reasonable time after either such request, Owner, Contractor, and Engineer shall make an inspection of that part of the Work to determine its status of completion. If Engineer does not consider that part of the Work to be substantially complete, Engineer will notify Owner and Contractor in writing giving the reasons therefor. If Engineer considers that part of the Work to be substantially complete, the provisions of Paragraph 15.03 will apply with respect to certification of Substantial Completion of that part of the Work and the division of responsibility in respect thereof and access thereto.
4. No use or occupancy or separate operation of part of the Work may occur prior to compliance with the requirements of Paragraph 6.04 regarding builder's risk or other property insurance.

#### 15.05 *Final Inspection*

- A. Upon written notice from Contractor that the entire Work or an agreed portion thereof is complete, Engineer will promptly make a final inspection with Owner and Contractor and will notify Contractor in writing of all particulars in which this inspection reveals that the Work, or agreed portion thereof, is incomplete or defective. Contractor shall immediately take such measures as are necessary to complete such Work or remedy such deficiencies.

#### 15.06 *Final Payment*

##### A. *Application for Payment*

1. After Contractor has, in the opinion of Engineer, satisfactorily completed all corrections identified during the final inspection and has delivered, in accordance with the Contract Documents, all maintenance and operating instructions, schedules, guarantees, bonds, certificates or other evidence of insurance, certificates of inspection, annotated record documents (as provided in Paragraph 7.12), and other documents, Contractor may make application for final payment.
2. The final Application for Payment must be accompanied (except as previously delivered) by:
  - a. all documentation called for in the Contract Documents;
  - b. consent of the surety, if any, to final payment;
  - c. satisfactory evidence that all title issues have been resolved such that title to all Work, materials, and equipment has passed to Owner free and clear of any Liens or other title defects, or will so pass upon final payment.
  - d. a list of all duly pending Change Proposals and Claims; and
  - e. complete and legally effective releases or waivers (satisfactory to Owner) of all Lien rights arising out of the Work, and of Liens filed in connection with the Work.
3. In lieu of the releases or waivers of Liens specified in Paragraph 15.06.A.2 and as approved by Owner, Contractor may furnish receipts or releases in full and an affidavit of Contractor that: (a) the releases and receipts include all labor, services, material, and equipment for which a Lien could be filed; and (b) all payrolls, material and equipment

bills, and other indebtedness connected with the Work for which Owner might in any way be responsible, or which might in any way result in liens or other burdens on Owner's property, have been paid or otherwise satisfied. If any Subcontractor or Supplier fails to furnish such a release or receipt in full, Contractor may furnish a bond or other collateral satisfactory to Owner to indemnify Owner against any Lien, or Owner at its option may issue joint checks payable to Contractor and specified Subcontractors and Suppliers.

- B. *Engineer's Review of Final Application and Recommendation of Payment:* If, on the basis of Engineer's observation of the Work during construction and final inspection, and Engineer's review of the final Application for Payment and accompanying documentation as required by the Contract Documents, Engineer is satisfied that the Work has been completed and Contractor's other obligations under the Contract have been fulfilled, Engineer will, within 10 days after receipt of the final Application for Payment, indicate in writing Engineer's recommendation of final payment and present the final Application for Payment to Owner for payment. Such recommendation will account for any set-offs against payment that are necessary in Engineer's opinion to protect Owner from loss for the reasons stated above with respect to progress payments. Otherwise, Engineer will return the Application for Payment to Contractor, indicating in writing the reasons for refusing to recommend final payment, in which case Contractor shall make the necessary corrections and resubmit the Application for Payment.
- C. *Notice of Acceptability:* In support of its recommendation of payment of the final Application for Payment, Engineer will also give written notice to Owner and Contractor that the Work is acceptable, subject to stated limitations in the notice and to the provisions of Paragraph 15.07.
- D. *Completion of Work:* The Work is complete (subject to surviving obligations) when it is ready for final payment as established by the Engineer's written recommendation of final payment and issuance of notice of the acceptability of the Work.
- E. *Final Payment Becomes Due:* Upon receipt from Engineer of the final Application for Payment and accompanying documentation, Owner shall set off against the amount recommended by Engineer for final payment any further sum to which Owner is entitled, including but not limited to set-offs for liquidated damages and set-offs allowed under the provisions of this Contract with respect to progress payments. Owner shall pay the resulting balance due to Contractor within 30 days of Owner's receipt of the final Application for Payment from Engineer.

#### 15.07 *Waiver of Claims*

- A. By making final payment, Owner waives its claim or right to liquidated damages or other damages for late completion by Contractor, except as set forth in an outstanding Claim, appeal under the provisions of Article 17, set-off, or express reservation of rights by Owner. Owner reserves all other claims or rights after final payment.
- B. The acceptance of final payment by Contractor will constitute a waiver by Contractor of all claims and rights against Owner other than those pending matters that have been duly submitted as a Claim, or appealed under the provisions of Article 17.

15.08 *Correction Period*

- A. If within one year after the date of Substantial Completion (or such longer period of time as may be prescribed by the Supplementary Conditions or the terms of any applicable special guarantee required by the Contract Documents), Owner gives Contractor written notice that any Work has been found to be defective, or that Contractor's repair of any damages to the Site or adjacent areas has been found to be defective, then after receipt of such notice of defect Contractor shall promptly, without cost to Owner and in accordance with Owner's written instructions:
1. correct the defective repairs to the Site or such adjacent areas;
  2. correct such defective Work;
  3. remove the defective Work from the cct and replace it with Work that is not defective, if the defective Work has been rejected by Owner, and
  4. satisfactorily correct or repair or remove and replace any damage to other Work, to the work of others, or to other land or areas resulting from the corrective measures.
- B. Owner shall give any such notice of defect within 60 days of the discovery that such Work or repairs is defective. If such notice is given within such 60 days but after the end of the correction period, the notice will be deemed a notice of defective Work under Paragraph 7.17.B.
- C. If, after receipt of a notice of defect within 60 days and within the correction period, Contractor does not promptly comply with the terms of Owner's written instructions, or in an emergency where delay would cause serious risk of loss or damage, Owner may have the defective Work corrected or repaired or may have the rejected Work removed and replaced. Contractor shall pay all costs, losses, and damages (including but not limited to all fees and charges of engineers, architects, attorneys, and other professionals and all court or arbitration or other dispute resolution costs) arising out of or relating to such correction or repair or such removal and replacement (including but not limited to all costs of repair or replacement of work of others). Contractor's failure to pay such costs, losses, and damages within 10 days of invoice from Owner will be deemed the start of an event giving rise to a Claim under Paragraph 12.01.B, such that any related Claim must be brought within 30 days of the failure to pay.
- D. In special circumstances where a particular item of equipment is placed in continuous service before Substantial Completion of all the Work, the correction period for that item may start to run from an earlier date if so provided in the Specifications.
- E. Where defective Work (and damage to other Work resulting therefrom) has been corrected or removed and replaced under this paragraph, the correction period hereunder with respect to such Work will be extended for an additional period of one year after such correction or removal and replacement has been satisfactorily completed.
- F. Contractor's obligations under this paragraph are in addition to all other obligations and warranties. The provisions of this paragraph are not to be construed as a substitute for, or a waiver of, the provisions of any applicable statute of limitation or repose.

## ARTICLE 16—SUSPENSION OF WORK AND TERMINATION

### 16.01 *Owner May Suspend Work*

- A. At any time and without cause, Owner may suspend the Work or any portion thereof for a period of not more than 90 consecutive days by written notice to Contractor and Engineer. Such notice will fix the date on which Work will be resumed. Contractor shall resume the Work on the date so fixed. Contractor shall be entitled to an adjustment in the Contract Price or an extension of the Contract Times directly attributable to any such suspension. Any Change Proposal seeking such adjustments must be submitted no later than 30 days after the date fixed for resumption of Work.

### 16.02 *Owner May Terminate for Cause*

- A. The occurrence of any one or more of the following events will constitute a default by Contractor and justify termination for cause:
  1. Contractor's persistent failure to perform the Work in accordance with the Contract Documents (including, but not limited to, failure to supply sufficient skilled workers or suitable materials or equipment, or failure to adhere to the Progress Schedule);
  2. Failure of Contractor to perform or otherwise to comply with a material term of the Contract Documents;
  3. Contractor's disregard of Laws or Regulations of any public body having jurisdiction; or
  4. Contractor's repeated disregard of the authority of Owner or Engineer.
- B. If one or more of the events identified in Paragraph 16.02.A occurs, then after giving Contractor (and any surety) 10 days' written notice that Owner is considering a declaration that Contractor is in default and termination of the Contract, Owner may proceed to:
  1. declare Contractor to be in default, and give Contractor (and any surety) written notice that the Contract is terminated; and
  2. enforce the rights available to Owner under any applicable performance bond.
- C. Subject to the terms and operation of any applicable performance bond, if Owner has terminated the Contract for cause, Owner may exclude Contractor from the Site, take possession of the Work, incorporate in the Work all materials and equipment stored at the Site or for which Owner has paid Contractor but which are stored elsewhere, and complete the Work as Owner may deem expedient.
- D. Owner may not proceed with termination of the Contract under Paragraph 16.02.B if Contractor within 7 days of receipt of notice of intent to terminate begins to correct its failure to perform and proceeds diligently to cure such failure.
- E. If Owner proceeds as provided in Paragraph 16.02.B, Contractor shall not be entitled to receive any further payment until the Work is completed. If the unpaid balance of the Contract Price exceeds the cost to complete the Work, including all related claims, costs, losses, and damages (including but not limited to all fees and charges of engineers, architects, attorneys, and other professionals) sustained by Owner, such excess will be paid to Contractor. If the cost to complete the Work including such related claims, costs, losses, and damages exceeds such unpaid balance, Contractor shall pay the difference to Owner. Such claims, costs, losses, and damages incurred by Owner will be reviewed by Engineer as

to their reasonableness and, when so approved by Engineer, incorporated in a Change Order. When exercising any rights or remedies under this paragraph, Owner shall not be required to obtain the lowest price for the Work performed.

- F. Where Contractor's services have been so terminated by Owner, the termination will not affect any rights or remedies of Owner against Contractor then existing or which may thereafter accrue, or any rights or remedies of Owner against Contractor or any surety under any payment bond or performance bond. Any retention or payment of money due Contractor by Owner will not release Contractor from liability.
- G. If and to the extent that Contractor has provided a performance bond under the provisions of Paragraph 6.01.A, the provisions of that bond will govern over any inconsistent provisions of Paragraphs 16.02.B and 16.02.D.

**16.03 *Owner May Terminate for Convenience***

- A. Upon 7 days' written notice to Contractor and Engineer, Owner may, without cause and without prejudice to any other right or remedy of Owner, terminate the Contract. In such case, Contractor shall be paid for (without duplication of any items):
  - 1. completed and acceptable Work executed in accordance with the Contract Documents prior to the effective date of termination, including fair and reasonable sums for overhead and profit on such Work;
  - 2. expenses sustained prior to the effective date of termination in performing services and furnishing labor, materials, or equipment as required by the Contract Documents in connection with uncompleted Work, plus fair and reasonable sums for overhead and profit on such expenses; and
  - 3. other reasonable expenses directly attributable to termination, including costs incurred to prepare a termination for convenience cost proposal.
- B. Contractor shall not be paid for any loss of anticipated profits or revenue, post-termination overhead costs, or other economic loss arising out of or resulting from such termination.

**16.04 *Contractor May Stop Work or Terminate***

- A. If, through no act or fault of Contractor, (1) the Work is suspended for more than 90 consecutive days by Owner or under an order of court or other public authority, or (2) Engineer fails to act on any Application for Payment within 30 days after it is submitted, or (3) Owner fails for 30 days to pay Contractor any sum finally determined to be due, then Contractor may, upon 7 days' written notice to Owner and Engineer, and provided Owner or Engineer do not remedy such suspension or failure within that time, terminate the contract and recover from Owner payment on the same terms as provided in Paragraph 16.03.
- B. In lieu of terminating the Contract and without prejudice to any other right or remedy, if Engineer has failed to act on an Application for Payment within 30 days after it is submitted, or Owner has failed for 30 days to pay Contractor any sum finally determined to be due, Contractor may, 7 days after written notice to Owner and Engineer, stop the Work until payment is made of all such amounts due Contractor, including interest thereon. The provisions of this paragraph are not intended to preclude Contractor from submitting a Change Proposal for an adjustment in Contract Price or Contract Times or otherwise for expenses or damage directly attributable to Contractor's stopping the Work as permitted by this paragraph.

## **ARTICLE 17—FINAL RESOLUTION OF DISPUTES**

### **17.01 *Methods and Procedures***

- A. *Disputes Subject to Final Resolution*: The following disputed matters are subject to final resolution under the provisions of this article:
1. A timely appeal of an approval in part and denial in part of a Claim, or of a denial in full, pursuant to Article 12; and
  2. Disputes between Owner and Contractor concerning the Work, or obligations under the Contract Documents, that arise after final payment has been made.
- B. *Final Resolution of Disputes*: For any dispute subject to resolution under this article, Owner or Contractor may:
1. elect in writing to invoke the dispute resolution process provided for in the Supplementary Conditions;
  2. agree with the other party to submit the dispute to another dispute resolution process; or
  3. if no dispute resolution process is provided for in the Supplementary Conditions or mutually agreed to, give written notice to the other party of the intent to submit the dispute to a court of competent jurisdiction.

## **ARTICLE 18—MISCELLANEOUS**

### **18.01 *Giving Notice***

- A. Whenever any provision of the Contract requires the giving of written notice to Owner, Engineer, or Contractor, it will be deemed to have been validly given only if delivered:
1. in person, by a commercial courier service or otherwise, to the recipient's place of business;
  2. by registered or certified mail, postage prepaid, to the recipient's place of business; or
  3. by e-mail to the recipient, with the words "Formal Notice" or similar in the e-mail's subject line.

### **18.02 *Computation of Times***

- A. When any period of time is referred to in the Contract by days, it will be computed to exclude the first and include the last day of such period. If the last day of any such period falls on a Saturday or Sunday or on a day made a legal holiday by the law of the applicable jurisdiction, such day will be omitted from the computation.

### **18.03 *Cumulative Remedies***

- A. The duties and obligations imposed by these General Conditions and the rights and remedies available hereunder to the parties hereto are in addition to, and are not to be construed in any way as a limitation of, any rights and remedies available to any or all of them which are otherwise imposed or available by Laws or Regulations, by special warranty or guarantee, or by other provisions of the Contract. The provisions of this paragraph will be



as effective as if repeated specifically in the Contract Documents in connection with each particular duty, obligation, right, and remedy to which they apply.

18.04 *Limitation of Damages*

- A. With respect to any and all Change Proposals, Claims, disputes subject to final resolution, and other matters at issue, neither Owner nor Engineer, nor any of their officers, directors, members, partners, employees, agents, consultants, or subcontractors, shall be liable to Contractor for any claims, costs, losses, or damages sustained by Contractor on or in connection with any other project or anticipated project.

18.05 *No Waiver*

- A. A party's non-enforcement of any provision will not constitute a waiver of that provision, nor will it affect the enforceability of that provision or of the remainder of this Contract.

18.06 *Survival of Obligations*

- A. All representations, indemnifications, warranties, and guarantees made in, required by, or given in accordance with the Contract, as well as all continuing obligations indicated in the Contract, will survive final payment, completion, and acceptance of the Work or termination of the Contract or of the services of Contractor.

18.07 *Controlling Law*

- A. This Contract is to be governed by the law of the state in which the Project is located.

18.08 *Assignment of Contract*

- A. Unless expressly agreed to elsewhere in the Contract, no assignment by a party to this Contract of any rights under or interests in the Contract will be binding on the other party without the written consent of the party sought to be bound; and, specifically but without limitation, money that may become due and money that is due may not be assigned without such consent (except to the extent that the effect of this restriction may be limited by law), and unless specifically stated to the contrary in any written consent to an assignment, no assignment will release or discharge the assignor from any duty or responsibility under the Contract.

18.09 *Successors and Assigns*

- A. Owner and Contractor each binds itself, its successors, assigns, and legal representatives to the other party hereto, its successors, assigns, and legal representatives in respect to all covenants, agreements, and obligations contained in the Contract Documents.

18.10 *Headings*

- A. Article and paragraph headings are inserted for convenience only and do not constitute parts of these General Conditions.

This document has important legal consequences; consultation with an attorney is encouraged with respect to its use or modification. This document should be adapted to the particular circumstances of the contemplated Project and the controlling Laws and Regulations.

## SUPPLEMENTARY CONDITIONS OF THE CONSTRUCTION CONTRACT

Prepared By



Endorsed By



Copyright© 2018

National Society of Professional Engineers  
1420 King Street, Alexandria, VA 22314-2794  
(703) 684-2882  
[www.nspe.org](http://www.nspe.org)

American Council of Engineering Companies  
1015 15th Street N.W., Washington, DC 20005  
(202) 347-7474  
[www.acec.org](http://www.acec.org)

American Society of Civil Engineers  
1801 Alexander Bell Drive, Reston, VA 20191-4400  
(800) 548-2723  
[www.asce.org](http://www.asce.org)

The copyright for this EJCDC document is owned jointly by the three sponsoring organizations listed above. The National Society of Professional Engineers is the Copyright Administrator for the EJCDC documents; please direct all inquiries regarding EJCDC copyrights to NSPE.

NOTE: EJCDC publications may be purchased at [www.ejcdc.org](http://www.ejcdc.org), or from any of the sponsoring organizations above.

# SUPPLEMENTARY CONDITIONS OF THE CONSTRUCTION CONTRACT

## TABLE OF CONTENTS

	Page
Article 1— Definitions and Terminology.....	1
Article 2— Preliminary Matters .....	1
Article 3— Contract Documents: Intent, Requirements, Reuse .....	1
Article 4— Commencement and Progress of the Work .....	1
Article 5— Site, Subsurface and Physical Conditions, Hazardous Environmental Conditions .....	2
Article 6— Bonds and Insurance.....	3
Article 7— Contractor’s Responsibilities .....	9
Article 8— Other Work at the Site .....	10
Article 9— Owner’s Responsibilities .....	10
Article 10— Engineer’s Status During Construction .....	10
Article 11— Changes to the Contract .....	11
Article 12— Claims.....	12
Article 13— Cost of Work; Allowances, Unit Price Work.....	12
Article 14— Tests and Inspections; Correction, Removal, or Acceptance of Defective Work.....	12
Article 15— Payments to Contractor, Set Offs; Completions; Correction Period .....	12
Article 16— Suspension of Work and Termination .....	13
Article 17— Final Resolutions of Disputes .....	13
Article 18— Miscellaneous .....	13
Exhibit A— Software Requirements for Electronic Document Exchange.....	<b>Error! Bookmark not defined.</b>
Exhibit B— Foreseeable Bad Weather Days .....	<b>Error! Bookmark not defined.</b>
Exhibit C— Geotechnical Baseline Report Supplement to the Supplementary Conditions	<b>Error! Bookmark not defined.</b>

# SUPPLEMENTARY CONDITIONS OF THE CONSTRUCTION CONTRACT

These Supplementary Conditions amend or supplement EJCDC® C-700, Standard General Conditions of the Construction Contract (2018). The General Conditions remain in full force and effect except as amended.

The terms used in these Supplementary Conditions have the meanings stated in the General Conditions. Additional terms used in these Supplementary Conditions have the meanings stated below, which are applicable to both the singular and plural thereof.

The address system used in these Supplementary Conditions is the same as the address system used in the General Conditions, with the prefix "SC" added—for example, "Paragraph SC-4.05."

## ARTICLE 1—DEFINITIONS AND TERMINOLOGY

### 1.01 *Defined Terms*

SC-1.01 Add the following terms:

- 1.1 *ADEM* – The Alabama Department of Environmental Management
- 17.1 *CWSRF* – The "Clean Water State Revolving Fund" program administered by ADEM.
- 18.1 *DWSRF* – The "Drinking Water State Revolving Fund" program administered by ADEM.
- 39.1 *SRF* – The State Revolving Fund program administered by ADEM.

## ARTICLE 2—PRELIMINARY MATTERS

### 2.02 *Copies of Documents*

SC-2.02 Delete Paragraph 2.02.A in its entirety and insert the following new paragraph in its place:

- A. Owner shall furnish to Contractor **four (4)** printed copies of conformed Contract Documents incorporating and integrating all Addenda and any amendments negotiated prior to the Effective Date of the Contract (including one fully signed counterpart of the Agreement), and one copy in electronic portable document format (PDF). Additional printed copies of the conformed Contract Documents will be furnished upon request at the cost of reproduction.

## ARTICLE 3—CONTRACT DOCUMENTS: INTENT, REQUIREMENTS, REUSE

No Supplementary Conditions in this Article.

## ARTICLE 4—COMMENCEMENT AND PROGRESS OF THE WORK

### 4.05 *Delays in Contractor's Progress*

SC-4.05 Amend Paragraph 4.05.C by adding the following subparagraphs:

- 5. *Weather-Related Delays*

- a. If “abnormal weather conditions” as set forth in Paragraph 4.05.C.2 of the General Conditions are the basis for a request for an equitable adjustment in the Contract Times, such request must be documented by data substantiating each of the following: 1) that weather conditions were abnormal for the period of time in which the delay occurred, 2) that such weather conditions could not have been reasonably anticipated, and 3) that such weather conditions had an adverse effect on the Work as scheduled.

**ARTICLE 5—SITE, SUBSURFACE AND PHYSICAL CONDITIONS, HAZARDOUS ENVIRONMENTAL CONDITIONS**

**5.03 Subsurface and Physical Conditions**

SC-5.03 Add the following new paragraphs immediately after Paragraph 5.03.D:

- E. The following table lists the report of explorations and tests of subsurface conditions at or adjacent to the Site that contain Technical Data, and specifically identifies the Technical Data in the report upon which Contractor may rely:

Report Title	Date of Report	Technical Data
NONE		

- F. The following table lists the drawings of existing physical conditions at or adjacent to the Site, including those drawings depicting existing surface or subsurface structures at or adjacent to the Site (except Underground Facilities), that contain Technical Data, and specifically identifies the Technical Data upon which Contractor may rely:

Drawings Title	Date of Drawings	Technical Data
None		

- G. Copies of reports and drawings identified in SC-5.03.E and SC-5.03.F that were not included with the Bidding Documents at [location] during regular business hours, or may request copies from Engineer.

**5.06 Hazardous Environmental Conditions**

SC-5.06 Add the following new paragraphs immediately after Paragraph 5.06.A.3:

- 4. The following table lists the reports known to Owner relating to Hazardous Environmental Conditions at or adjacent to the Site, and the Technical Data (if any) upon which Contractor may rely:

Report Title	Date of Report	Technical Data
None		

Report Title	Date of Report	Technical Data

5. The following table lists the drawings known to Owner relating to Hazardous Environmental Conditions at or adjacent to the Site, and Technical Data (if any) contained in such Drawings upon which Contractor may rely:

Drawings Title	Date of Drawings	Technical Data
None		

## ARTICLE 6—BONDS AND INSURANCE

### 6.01 Performance, Payment, and Other Bonds

SC-6.01 Add the following paragraphs immediately after Paragraph 6.01.A:

1. *Required Performance Bond Form:* The performance bond that Contractor furnishes will be in the form of EJCDC® C-610, Performance Bond (2018 edition).
2. *Required Payment Bond Form:* The payment bond that Contractor furnishes will be in the form of EJCDC® C-615, Payment Bond (2018 edition).

### 6.02 Insurance—General Provisions

SC-6.02 Add the following paragraph immediately after Paragraph 6.02.B:

1. Contractor may obtain worker’s compensation insurance from an insurance company that has not been rated by A.M. Best, provided that such company (a) is domiciled in the state in which the Project is located, (b) is certified or authorized as a worker’s compensation insurance provider by the appropriate state agency, and (c) has been accepted to provide worker’s compensation insurance for similar projects by the state within the last 12 months.

### 6.03 Contractor’s Insurance

SC-6.03 Supplement Paragraph 6.03 with the following provisions after Paragraph 6.03.C:

- D. *Other Additional Insureds:* Town of Wadley, Alabama; InSite
- E. *Workers’ Compensation and Employer’s Liability:* Contractor shall purchase and maintain workers’ compensation and employer’s liability insurance, including, as applicable, United States Longshoreman and Harbor Workers’ Compensation Act, Jones Act, stop-gap employer’s liability coverage for monopolistic states, and foreign voluntary workers’ compensation (from available sources, notwithstanding the jurisdictional requirement of Paragraph 6.02.B of the General Conditions).

Workers’ Compensation and Related Policies	Policy limits of not less than:
Workers’ Compensation	

<b>Workers' Compensation and Related Policies</b>	<b>Policy limits of not less than:</b>
State	Statutory
Applicable Federal (e.g., Longshoreman's)	Statutory
Foreign voluntary workers' compensation (employer's responsibility coverage), if applicable	Statutory
<b>Jones Act (if applicable)</b>	
Bodily injury by accident—each accident	Not Applicable
Bodily injury by disease—aggregate	Not Applicable
<b>Employer's Liability</b>	
Each accident	\$500,000
Each employee	\$500,000
Policy limit	\$1,000,000
<b>Stop-gap Liability Coverage</b>	
For work performed in monopolistic states, stop-gap liability coverage must be endorsed to either the worker's compensation or commercial general liability policy with a minimum limit of:	Not Applicable

- F. *Commercial General Liability—Claims Covered:* Contractor shall purchase and maintain commercial general liability insurance, covering all operations by or on behalf of Contractor, on an occurrence basis, against claims for:
1. damages because of bodily injury, sickness or disease, or death of any person other than Contractor's employees,
  2. damages insured by reasonably available personal injury liability coverage, and
  3. damages because of injury to or destruction of tangible property wherever located, including loss of use resulting therefrom.
- G. *Commercial General Liability—Form and Content:* Contractor's commercial liability policy must be written on a 1996 (or later) Insurance Services Organization, Inc. (ISO) commercial general liability form (occurrence form) and include the following coverages and endorsements:
1. Products and completed operations coverage.
    - a. Such insurance must be maintained for three years after final payment.
    - b. Contractor shall furnish Owner and each other additional insured (as identified in the Supplementary Conditions or elsewhere in the Contract) evidence of continuation of such insurance at final payment and three years thereafter.
  2. Blanket contractual liability coverage, including but not limited to coverage of Contractor's contractual indemnity obligations in Paragraph 7.18.
  3. Severability of interests and no insured-versus-insured or cross-liability exclusions.
  4. Underground, explosion, and collapse coverage.
  5. Personal injury coverage.



6. Additional insured endorsements that include both ongoing operations and products and completed operations coverage through ISO Endorsements CG 20 10 10 01 and CG 20 37 10 01 (together). If Contractor demonstrates to Owner that the specified ISO endorsements are not commercially available, then Contractor may satisfy this requirement by providing equivalent endorsements.
  7. For design professional additional insureds, ISO Endorsement CG 20 32 07 04 “Additional Insured—Engineers, Architects or Surveyors Not Engaged by the Named Insured” or its equivalent.
- H. *Commercial General Liability—Excluded Content:* The commercial general liability insurance policy, including its coverages, endorsements, and incorporated provisions, must not include any of the following:
1. Any modification of the standard definition of “insured contract” (except to delete the railroad protective liability exclusion if Contractor is required to indemnify a railroad or others with respect to Work within 50 feet of railroad property).
  2. Any exclusion for water intrusion or water damage.
  3. Any provisions resulting in the erosion of insurance limits by defense costs other than those already incorporated in ISO form CG 00 01.
  4. Any exclusion of coverage relating to earth subsidence or movement.
  5. Any exclusion for the insured’s vicarious liability, strict liability, or statutory liability (other than worker’s compensation).
  6. Any limitation or exclusion based on the nature of Contractor’s work.
  7. Any professional liability exclusion broader in effect than the most recent edition of ISO form CG 22 79.
- I. *Commercial General Liability—Minimum Policy Limits*

<b>Commercial General Liability</b>	<b>Policy limits of not less than:</b>
General Aggregate	\$1,000,000
Products—Completed Operations Aggregate	\$1,000,000
Personal and Advertising Injury	\$1,000,000
Bodily Injury and Property Damage—Each Occurrence	\$1,000,000

- J. *Automobile Liability:* Contractor shall purchase and maintain automobile liability insurance for damages because of bodily injury or death of any person or property damage arising out of the ownership, maintenance, or use of any motor vehicle. The automobile liability policy must be written on an occurrence basis.

<b>Automobile Liability</b>	<b>Policy limits of not less than:</b>
<b>Bodily Injury</b>	
Each Person	\$500,000
Each Accident	\$1,000,000

<b>Automobile Liability</b>	<b>Policy limits of not less than:</b>
<b>Property Damage</b>	
Each Accident	\$1,000,000

- K. *Umbrella or Excess Liability:* Contractor shall purchase and maintain umbrella or excess liability insurance written over the underlying employer’s liability, commercial general liability, and automobile liability insurance described in the Paragraphs above. The coverage afforded must be at least as broad as that of each and every one of the underlying policies.

<b>Excess or Umbrella Liability</b>	<b>Policy limits of not less than:</b>
Each Occurrence	\$1,000,000
General Aggregate	\$1,000,000

- L. *Using Umbrella or Excess Liability Insurance to Meet CGL and Other Policy Limit Requirements:* Contractor may meet the policy limits specified for employer’s liability, commercial general liability, and automobile liability through the primary policies alone, or through combinations of the primary insurance policy’s policy limits and partial attribution of the policy limits of an umbrella or excess liability policy that is at least as broad in coverage as that of the underlying policy, as specified herein. If such umbrella or excess liability policy was required under this Contract, at a specified minimum policy limit, such umbrella or excess policy must retain a minimum limit of **\$1,000,000** after accounting for partial attribution of its limits to underlying policies, as allowed above.
- M. *Contractor’s Pollution Liability Insurance:* Contractor shall purchase and maintain a policy covering third-party injury and property damage, including cleanup costs, as a result of pollution conditions arising from Contractor’s operations and completed operations. This insurance must be maintained for no less than three years after final completion.

<b>Contractor’s Pollution Liability</b>	<b>Policy limits of not less than:</b>
Each Occurrence/Claim	\$1,000,000
General Aggregate	\$1,000,000

- N. *Contractor’s Professional Liability Insurance:* If Contractor will provide or furnish professional services under this *Contract*, through a delegation of professional design services or otherwise, then Contractor shall be responsible for purchasing and maintaining applicable professional liability insurance. This insurance must cover negligent acts, errors, or omissions in the performance of professional design or related services by the insured or others for whom the insured is legally liable. The insurance must be maintained throughout the duration of the Contract and for a minimum of two years after Substantial Completion. The retroactive date on the policy must pre-date the commencement of furnishing services on the Project.

<b>Contractor's Professional Liability</b>	<b>Policy limits of not less than:</b>
Each Claim	\$1,000,000
Annual Aggregate	\$1,000,000

- O. *Railroad Protective Liability Insurance*: Not Required
- P. *Unmanned Aerial Vehicle Liability Insurance*: If Contractor uses unmanned aerial vehicles (UAV—commonly referred to as drones) at the Site or in support of any aspect of the Work, Contractor shall obtain UAV liability insurance in the amounts stated; name Owner, Engineer, and all individuals and entities identified in the Supplementary Conditions as additional insureds; and provide a certificate to Owner confirming Contractor's compliance with this requirement. Such insurance will provide coverage for property damage, bodily injury or death, and invasion of privacy.

<b>Unmanned Aerial Vehicle Liability Insurance</b>	<b>Policy limits of not less than:</b>
Each Claim	\$250,000
General Aggregate	\$1,000,000

6.04 *Builder's Risk and Other Property Insurance*

SC-6.04 Delete Paragraph 6.04.A and insert the following in its place:

- A. Owner shall purchase and maintain builder's risk insurance upon the Work on a completed value basis, in the amount of the Work's full insurable replacement cost (subject to such deductible amounts as may be provided in the Supplementary Conditions or required by Laws and Regulations). The specific requirements applicable to the builder's risk insurance are set forth in the Supplementary Conditions.

SC-6.04 Supplement Paragraph 6.04 of the General Conditions with the following provisions:

- F. *Builder's Risk Requirements*: The builder's risk insurance must:
1. be written on a builder's risk "all risk" policy form that at a minimum includes insurance for physical loss or damage to the Work, temporary buildings, falsework, and materials and equipment stored and in transit, and must not exclude the coverage of the following risks: fire; windstorm; hail; flood; earthquake, volcanic activity, and other earth movement; lightning; riot; civil commotion; terrorism; vehicle impact; aircraft; smoke; theft; vandalism and malicious mischief; mechanical breakdown, boiler explosion, and artificially generated electric current; collapse; explosion; debris removal; demolition occasioned by enforcement of Laws and Regulations; and water damage (other than that caused by flood).
    - a. Such policy will include an exception that results in coverage for ensuing losses from physical damage or loss with respect to any defective workmanship, methods, design, or materials exclusions.
    - b. If insurance against mechanical breakdown, boiler explosion, and artificially generated electric current; earthquake, volcanic activity, and other earth movement; or flood, are not commercially available under builder's risk policies,

by endorsement or otherwise, such insurance will be provided through other insurance policies acceptable to Owner and Contractor.

2. cover, as insured property, at least the following: (a) the Work and all materials, supplies, machinery, apparatus, equipment, fixtures, and other property of a similar nature that are to be incorporated into or used in the preparation, fabrication, construction, erection, or completion of the Work, including Owner-furnished or assigned property; (b) spare parts inventory required within the scope of the Contract; and (c) temporary works which are not intended to form part of the permanent constructed Work but which are intended to provide working access to the Site, or to the Work under construction, or which are intended to provide temporary support for the Work under construction, including scaffolding, form work, fences, shoring, falsework, and temporary structures.
3. cover expenses incurred in the repair or replacement of any insured property (including but not limited to fees and charges of contractors, engineers, and architects).
4. extend to cover damage or loss to insured property while in temporary storage at the Site or in a storage location outside the Site (but not including property stored at the premises of a manufacturer or Supplier). If this coverage is subject to a sublimit, such sublimit will be a minimum of \$1,000,000.
5. extend to cover damage or loss to insured property while in transit. If this coverage is subject to a sublimit, such sublimit will be a minimum of \$1,000,000.
6. allow for the waiver of the insurer's subrogation rights, as set forth in this Contract.
7. allow for partial occupancy or use by Owner by endorsement, and without cancellation or lapse of coverage.
8. include performance/hot testing and start-up, if applicable.
9. be maintained in effect until the Work is complete, as set forth in Paragraph 15.06.D of the General Conditions, or until written confirmation of Owner's procurement of property insurance following Substantial Completion, whichever occurs first.
10. include as named insureds the Owner, Contractor, Subcontractors (of every tier), and any other individuals or entities required by this Contract to be insured under such builder's risk policy. For purposes of Paragraphs 6.04, 6.05, and 6.06 of the General Conditions, and this and all other corresponding Supplementary Conditions, the parties required to be insured will be referred to collectively as "insureds." In addition to Owner, Contractor, and Subcontractors of every tier, include as insureds the following:
  - a. InSite Engineering
11. include, in addition to the Contract Price amount, the value of the following equipment and materials to be installed by the Contractor but furnished by the Owner or third parties:
  - a. None.

12. If debris removal in connection with repair or replacement of insured property is subject to a coverage sublimit, such sublimit will be a minimum of **\$250,000**.

SC-6.04 Supplement Paragraph 6.04 of the General Conditions with the following provision:

G. *Coverage for Completion Delays:* The builder's risk policy will include, for the benefit of Owner, loss of revenue and soft cost coverage for losses arising from delays in completion that result from covered physical losses or damage. Such coverage will include, without limitation, fixed expenses and debt service for a minimum of 12 months with a maximum deductible of 30 days, compensation for loss of net revenues, rental costs, and attorneys' fees and engineering or other consultants' fees, if not otherwise covered.

SC-6.04 Supplement Paragraph 6.04 of the General Conditions with the following provisions:

H. *Builder's Risk and Other Property Insurance Deductibles:* The purchaser of any required builder's risk, installation floater, or other property insurance will be responsible for costs not covered because of the application of a policy deductible.

1. The builder's risk policy (or if applicable the installation floater) will be subject to a deductible amount of no more than \$50,000 for direct physical loss in any one occurrence.

## **ARTICLE 7—CONTRACTOR'S RESPONSIBILITIES**

### *7.03 Labor; Working Hours*

SC-7.03 Delete Paragraph 7.03.C in its entirety, and insert the following:

C. In the absence of any Laws or Regulations to the contrary, Contractor may perform the Work during any or all hours of the day, and on any or all days of the week, at Contractor's sole discretion, except on legal holidays observed by the Owner.

SC-7.03 Add the following new paragraph immediately after Paragraph 7.03.C:

D. Owner shall be responsible for the cost of any overtime pay or other expense incurred by the Owner for Engineer's services (including those of the Resident Project Representative, if any), Owner's representative, and construction observation services, occasioned by the performance of Work on Saturday, Sunday, any legal holiday, or as overtime on any regular work day.

### *7.10 Taxes*

SC-7.10 Add a new paragraph immediately after Paragraph 7.10.A:

A. Owner is exempt from payment of sales and compensating use taxes of the State of Alabama and of cities and counties thereof on all materials to be incorporated into the Work.

1. Owner will furnish the required certificates of tax exemption to Contractor for use in the purchase of supplies and materials to be incorporated into the Work.

2. Owner's exemption does not apply to construction tools, machinery, equipment, or other property purchased by or leased by Contractor, or to supplies or materials not incorporated into the Work.

## **ARTICLE 8—OTHER WORK AT THE SITE**

### **8.02** *Coordination*

No Supplementary Conditions in this Article.

## **ARTICLE 9—OWNER’S RESPONSIBILITIES**

### **9.13** *Owner’s Site Representative*

SC-9.13 Add the following new paragraph immediately after Paragraph 9.12 of the General Conditions:

#### **9.13** *Owner’s Site Representative*

- A. Owner may furnish an “Owner’s Site Representative” to represent Owner at the Site and assist Owner in observing the progress and quality of the Work. The Owner’s Site Representative is not Engineer’s consultant, agent, or employee. Owner’s Site Representative may be the General Manager, Assistant General Manager, or other employee assigned by the Owner.

## **ARTICLE 10—ENGINEER’S STATUS DURING CONSTRUCTION**

### **10.03** *Resident Project Representative*

SC-10.03 Add the following new paragraphs immediately after Paragraph 10.03.B:

- C. The Resident Project Representative (RPR) will be Engineer’s representative at the Site. RPR’s dealings in matters pertaining to the Work in general will be with Engineer and Contractor. RPR’s dealings with Subcontractors will only be through or with the full knowledge or approval of Contractor. The RPR will:
  1. *Conferences and Meetings:* Attend meetings with Contractor, such as preconstruction conferences, progress meetings, job conferences, and other Project-related meetings (but not including Contractor’s safety meetings), and as appropriate prepare and circulate copies of minutes thereof.
  2. *Safety Compliance:* Comply with Contractor’s Site safety programs, as they apply to RPR, and if required to do so by such safety programs, receive safety training specifically related to RPR’s own personal safety while at the Site.
  3. *Liaison*
    - a. Serve as Engineer’s liaison with Contractor. Working principally through Contractor’s authorized representative or designee, assist in providing information regarding the provisions and intent of the Contract Documents.
    - b. Assist Engineer in serving as Owner’s liaison with Contractor when Contractor’s operations affect Owner’s on-Site operations.
    - c. Assist in obtaining from Owner additional details or information, when required for Contractor’s proper execution of the Work.
  4. *Review of Work; Defective Work*

- a. Conduct on-Site observations of the Work to assist Engineer in determining, to the extent set forth in Paragraph 10.02, if the Work is in general proceeding in accordance with the Contract Documents.
  - b. Observe whether any Work in place appears to be defective.
  - c. Observe whether any Work in place should be uncovered for observation, or requires special testing, inspection or approval.
5. *Inspections and Tests*
- a. Observe Contractor-arranged inspections required by Laws and Regulations, including but not limited to those performed by public or other agencies having jurisdiction over the Work.
  - b. Accompany visiting inspectors representing public or other agencies having jurisdiction over the Work.
6. *Payment Requests: Review Applications for Payment with Contractor.*
7. *Completion*
- a. Participate in Engineer's visits regarding Substantial Completion.
  - b. Assist in the preparation of a punch list of items to be completed or corrected.
  - c. Participate in Engineer's visit to the Site in the company of Owner and Contractor regarding completion of the Work, and prepare a final punch list of items to be completed or corrected by Contractor.
  - d. Observe whether items on the final punch list have been completed or corrected.
- D. The RPR will not:
- 1. Authorize any deviation from the Contract Documents or substitution of materials or equipment (including "or-equal" items).
  - 2. Exceed limitations of Engineer's authority as set forth in the Contract Documents.
  - 3. Undertake any of the responsibilities of Contractor, Subcontractors, or Suppliers.
  - 4. Advise on, issue directions relative to, or assume control over any aspect of the means, methods, techniques, sequences or procedures of construction.
  - 5. Advise on, issue directions regarding, or assume control over security or safety practices, precautions, and programs in connection with the activities or operations of Owner or Contractor.
  - 6. Participate in specialized field or laboratory tests or inspections conducted off-site by others except as specifically authorized by Engineer.
  - 7. Authorize Owner to occupy the Project in whole or in part.

## **ARTICLE 11—CHANGES TO THE CONTRACT**

No Supplementary Conditions in this Article.

## **ARTICLE 12—CLAIMS**

No Supplementary Conditions in this Article.

## **ARTICLE 13—COST OF WORK; ALLOWANCES, UNIT PRICE WORK**

### *13.01 Cost of the Work*

SC-13.01 Supplement Paragraph 13.01.B.5.c.(2) by adding the following sentence:

The equipment rental rate book that governs the included costs for the rental of machinery and equipment owned by Contractor (or a related entity) under the Cost of the Work provisions of this Contract is the most current edition of the AED Green Book: Rental Rates & Specifications for Construction Equipment.

SC-13.01 Supplement Paragraph 13.01.C.2 by adding the following definition of small tools and hand tools:

- a. For purposes of this paragraph, “small tools and hand tools” means any tool or equipment whose current price if it were purchased new at retail would be less than \$500.

## **ARTICLE 14—TESTS AND INSPECTIONS; CORRECTION, REMOVAL, OR ACCEPTANCE OF DEFECTIVE WORK**

No suggested Supplementary Conditions in this Article.

## **ARTICLE 15—PAYMENTS TO CONTRACTOR, SET OFFS; COMPLETIONS; CORRECTION PERIOD**

### *15.01 Progress Payments*

SC-15.01 Insert the following: Paragraph 15.01.D.2 immediately following Paragraph 15.01.D.1

1. Seven Days after presentation of the Application for Payment to Owner with Engineer’s recommendation, the Contractor’s Application for Payment for the amount recommended (subject to any Owner set-offs) will be forwarded by Owner to ADEM for transfer of SRF funds to the Owner’s account.
2. Seven days after transfer of funds from SRF to the Owner’s account, payment will become due, and when due will be paid by the Owner to Contractor.

### *15.03 Substantial Completion*

SC-15.03 Add the following new subparagraph to Paragraph 15.03.B:

1. If some or all of the Work has been determined not to be at a point of Substantial Completion and will require re-inspection or re-testing by Engineer, the cost of such re-inspection or re-testing, including the cost of time, travel and living expenses, will be paid by Contractor to Owner. If Contractor does not pay, or the parties are unable to agree as to the amount owed, then Owner may impose a reasonable set-off against payments due under this Article 15.



**ARTICLE 16—SUSPENSION OF WORK AND TERMINATION**

No Supplementary Conditions in this Article.

**ARTICLE 17—FINAL RESOLUTIONS OF DISPUTES**

No Supplementary Conditions in this Article.

**ARTICLE 18—MISCELLANEOUS**

No Supplementary Conditions in this Article.

## SECTION 010260 – MEASUREMENT AND PAYMENT

### PART 1 - GENERAL

#### 1.1 SECTION INCLUDES

- A. Measurement for payment on a lump sum or unit price basis shall be as described below. Payment for each item of work installed shall be made according to the price bid, as listed in the Bid Form.
- B. Even though an item of work is included in the technical specifications, if it is not both covered herein and specifically itemized in the Bid Form, payment for it shall not be separately made. Such work shall be considered a necessary part of or incidental to its related work and shall be included in the Lump Sum Price Bid.
- C. “Total Cost” on the Bid Form shall be calculated by multiplying “Approximate Quantity” by “Unit Price”. In the event of a mathematical error on the bid form, this procedure shall be used to determine the actual price bid.

#### 1.2 SCHEDULE OF PAY ITEMS

- A. **Item No. 1 – Constructing and providing all items of work...**
  - 1. This item covers all items of work shown on the plans and/or included in the specifications except for those items specifically listed on the Bid Form as separate items numbers. This Lump Sum Bid shall be full compensation for all items and for all labor, materials, and equipment required to construct the new water treatment facility and raw water pumping in accordance with the drawings and specifications.
  - 2. The following allowances shall be included in the Lump Sum Price Bid for Item No. 1. These allowances represent items to be selected by the Owner during construction. Any unused balance of these allowances shall remain with the Owner at the completion of the project.
    - a. Signage and First Aid Kits: \$5,000
- B. **Item No. 2 – Allowance for Pall Water Scope of Supply**
  - 1. This item covers all items included in the Pall Water Scope of Supply included in Appendix A and shown on the Contract Drawings. Such payment shall constitute full compensation for the performance of all work items included in that scope necessary for and incidental to completion of the Work.
- C. **Item No. 3 – Additional Undercut and Replacement**
  - 1. Basis of Measurement: Cubic Yard.
  - 2. Such payment shall constitute full compensation for the performance of all work items necessary for and incidental to completion of the work and for the furnishing of all labor, tools, equipment, and incidentals necessary and appurtenant to the completion of these items to the complete satisfaction of the geotechnical engineer.
- D. **Item No. 4 – Allowance for Control Systems, Inc. Scope of Supply**
  - 1. This item covers all items included in the Control Systems, Inc. Scope of Supply shown throughout the Contract Drawings. Such payment shall constitute full compensation for

the performance of all work items included in that scope necessary for and incidental to completion of the Work.

**E. Item No. 5 - Allowance for Unforeseen Conflicts**

1. Due to the nature of this project and the uncertainties associated with the construction of a water treatment facility, an allowance has been included on the Bid Form to assist with resolution of unforeseen circumstances or conflicts. This allowance is intended to compensate the contractor for additional connections, crossings, relocations, modifications, and other items which may be required and which were not reasonably foreseeable.
2. This allowance will only be used at the direction of the Owner and/or Engineer. Payment for work performed under this item will be made in accordance with the provisions for extra work as defined in the Contract Documents or other mutually agreeable method. Any unused balance of this allowance shall remain with the Owner at the completion of the project.

PART 2 - PRODUCTS (Not Used)

PART 3 - EXECUTION (Not Used)

END OF DOCUMENT 010260

## SECTION 011000 - SUMMARY

### PART 1 - GENERAL

#### 1.1 SUMMARY

A. Section Includes:

1. Contract description.
2. Work by Owner or other Work at the Site.
3. Owner-furnished products.
4. Contractor's use of Site and premises.
5. Future work.
6. Work sequence.
7. Owner occupancy.
8. Permits.
9. Specification conventions.

#### 1.2 CONTRACT DESCRIPTION

- A. Work of the Project includes construction of full depth asphalt replacement, storm sewer improvements, traffic controls, speed bumps, and all necessary appurtenances in Wadley, Alabama 36276, for a Stipulated Price contract, according to Contract Documents. Perform Work of Contract under stipulated sum/price Contract with Owner according to Conditions of Contract.

#### 1.3 WORK BY OWNER OR OTHERS

- A. Owner will not be installing any items or performing work.
- B. No additional contracts for work by others will be let during this project.
- C. Work under this Contract will include:
1. Installation of full depth asphalt replacement, storm sewer improvements, traffic controls, speed bumps, and all necessary appurtenances.

#### 1.4 OWNER-FURNISHED PRODUCTS

- A. Items furnished by Owner for installation by Contractor:
1. N/A

## 1.5 CONTRACTOR'S USE OF SITE

- A. Access to Site: Limited to Owner and Contractor.
- B. Construction Operations: Limited to Areas of Work Required
  - 1. Noisy and Disruptive Operations (such as Use of Jack Hammers and Other Noisy Equipment): Not allowed in close proximity to existing buildings.
- C. Time Restrictions for Performing Work:
  - 1. Work Days: Monday – Friday
  - 2. Work Times: 7 A.M. – 6 P.M.
  - 3. No work will be allowed on weekends or holiday or outside the times specified above except in case of emergency, and then only as required to alleviate the immediacy of the emergency.
  - 4.
- D. Utility Outages and Shutdown:
  - 1. N/A
- E. Construction Plan: Before start of construction, submit three copies of construction plan regarding access to Work, use of Site, and utility outages for acceptance by Owner. After acceptance of plan, construction operations shall comply with accepted plan unless deviations are accepted by Owner in writing.

## 1.6 FUTURE WORK

- A. N/A

## 1.7 WORK SEQUENCE

- A. Construct Work in stages in order to accommodate Owner's required completion date. Coordinate construction schedule and operations with Engineer, Operator, and Owner

## 1.8 OWNER OCCUPANCY

- A. N/A

## 1.9 PERMITS

- A. Furnish necessary permits for construction of Work including the following:
  - 1. Business License for Prime and Subs

1.10 SPECIFICATION CONVENTIONS

- A. These Specifications are written in imperative mood and streamlined form. This imperative language is directed to Contractor unless specifically noted otherwise. The words "shall be" are included by inference where a colon (:) is used within sentences or phrases.

PART 2 - PRODUCTS - Not Used

PART 3 - EXECUTION - Not Used

END OF SECTION 011000

**This page intentionally left blank.**

## SECTION 012000 - PRICE AND PAYMENT PROCEDURES

### PART 1 - GENERAL

#### 1.1 SECTION INCLUDES

- A. Cash allowances.
- B. Contingency allowances.
- C. Testing and inspection allowances.
- D. Schedule of Values.
- E. Application for Payment.
- F. Change procedures.
- G. Defect assessment.
- H. Unit prices.
- I. Alternates.

#### 1.2 CASH ALLOWANCES

- A. N/A

#### 1.3 CONTINGENCY ALLOWANCES

- A. Allowance Schedule: N/A

#### 1.4 TESTING AND INSPECTION ALLOWANCES

- A. N/A

#### 1.5 SCHEDULE OF VALUES

- A. Submit electronic file to Engineer schedule on Contractor's standard form.
- B. Submit Schedule of Values within 15 days after date established in Notice to Proceed.
- C. Format: Use Table of Contents of this Project Manual. Identify each line item with number and title of major Specification Section. Also identify sub milestones of each category.



- D. Include in each line item amount of allowances as specified in this Section.
- E. Include within each line item, direct proportional amount of Contractor's overhead and profit.
- F. Revise schedule to list approved Change Orders with each Application for Payment.

#### 1.6 APPLICATION FOR PAYMENT

- A. Submit three copies, electronically, signed and sealed, of each Application for Payment on the provided application of payment form.
- B. Content and Format: Use Schedule of Values for listing items in Application for Payment.
- C. Submit updated construction schedule, if applicable, with each Application for Payment.
- D. Submit three copies of lien waivers requested by Owner.
- E. Substantiating Data: When Engineer requires substantiating information, submit data justifying dollar amounts in question. Include the following with Application for Payment:
  - 1. Current construction photographs.
  - 2. Partial release of liens from major Subcontractors and vendors.
  - 3. Record Documents, for review by Owner, which will be returned to Contractor.
  - 4. Affidavits attesting to off-Site stored products.
  - 5. Construction Progress Schedule, revised and current.

#### 1.7 CHANGE PROCEDURES

- A. Submittals: Submit name of individual who is authorized to receive change documents and is responsible for informing others in Contractor's employ or Subcontractors of changes to the Work.
- B. Carefully study and compare Contract Documents before proceeding with fabrication and installation of Work. Promptly advise Architect/Engineer of any error, inconsistency, omission, or apparent discrepancy.
- C. Requests for Interpretation (RFI) and Clarifications: Allot time in construction scheduling for liaison with Architect/Engineer; establish procedures for handling queries and clarifications.
  - 1. Use provided forms for requesting interpretations.
  - 2. Engineer may respond with a direct answer on the Request for Interpretation form or within a letter format.
- D. Engineer will advise of minor changes in the Work not involving adjustment to Contract Sum/Price or Contract Time by issuing supplemental instructions on a work change directive form or within a letter format.
- E. Engineer may issue Notice of Change including a detailed description of proposed change with supplementary or revised Drawings and Specifications, a change in Contract Time for executing

the change with stipulation of overtime work required and with the period of time during which the requested price will be considered valid. Contractor will prepare and submit estimate within 5 days.

- F. Contractor may propose changes by submitting a request for change to Engineer, describing proposed change and its full effect on the Work. Include a statement describing reason for the change and the effect on Contract Sum/Price and Contract Time with full documentation.
- G. Stipulated Sum/Price Change Order: Based on Notice of Change and Contractor's fixed price quotation or Contractor's request for Change Order as approved by Engineer.
- H. Unit Price Change Order: For Contract unit prices and quantities, the Change Order will be executed on a fixed unit price basis. For unit costs or quantities of units of that which are not predetermined, execute Work under Work Directive Change. Changes in Contract Sum/Price or Contract Time will be computed as specified for Time and Material Change Order.
- I. Work Directive Change: Engineer may issue directive, on EJCDC C-940 - Work Change Directive signed by Owner, instructing Contractor to proceed with change in the Work, for subsequent inclusion in a Change Order. Document will describe changes in the Work and designate method of determining any change in Contract Sum/Price or Contract Time. Promptly execute change.
- J. Document each quotation for change in Project Cost or Time with sufficient data to allow evaluation of quotation.
- K. Change Order Forms: EJCDC C-941 - Change Order

## 1.8 DEFECT ASSESSMENT

- A. Replace the Work, or portions of the Work, not conforming to specified requirements.
- B. If, in the opinion of Engineer, it is not practical to remove and replace the Work, Engineer will direct appropriate remedy or adjust payment.
- C. The defective Work may remain, but unit sum/price will be adjusted to new sum/price reduced at discretion of Engineer and Owner
- D. Authority of Engineer to assess defects and identify payment adjustments is final.

## 1.9 UNIT PRICES

- A. Engineer will take measurements and compute quantities accordingly. Provide assistance in taking of measurements.
- B. Unit Quantities: Quantities and measurements indicated on Bid Form are for Contract purposes only.
  - 1. When actual Work requires more or fewer quantities than those quantities indicated, provide required quantities at contracted unit sum/prices.

- C. Payment Includes: Full compensation for required labor, products, tools, equipment, plant and facilities, transportation, services and incidentals; erection, application, or installation of item of the Work; overhead and profit.
- D. Final payment for Work governed by unit prices will be made on basis of actual measurements and quantities accepted by Architect/Engineer multiplied by unit sum/price for Work incorporated in or made necessary by the Work.
- E. Unit Price Schedule:
  - 1. See Bid Form

- 1.10 ALTERNATES
  - a. N/A

PART 2 - PRODUCTS - Not Used

PART 3 - EXECUTION - Not Used

END OF SECTION 012000

## SECTION 012000 - PRICE AND PAYMENT PROCEDURES

### PART 1 - GENERAL

#### 1.1 SECTION INCLUDES

- A. Cash allowances.
- B. Contingency allowances.
- C. Testing and inspection allowances.
- D. Schedule of Values.
- E. Application for Payment.
- F. Change procedures.
- G. Defect assessment.
- H. Unit prices.
- I. Alternates.

#### 1.2 CASH ALLOWANCES

- A. N/A

#### 1.3 CONTINGENCY ALLOWANCES

- A. Allowance Schedule: N/A

#### 1.4 TESTING AND INSPECTION ALLOWANCES

- A. N/A

#### 1.5 SCHEDULE OF VALUES

- A. Submit electronic file to Engineer schedule on Contractor's standard form.
- B. Submit Schedule of Values within 15 days after date established in Notice to Proceed.
- C. Format: Use Table of Contents of this Project Manual. Identify each line item with number and title of major Specification Section. Also identify sub milestones of each category.

- D. Include in each line item amount of allowances as specified in this Section.
- E. Include within each line item, direct proportional amount of Contractor's overhead and profit.
- F. Revise schedule to list approved Change Orders with each Application for Payment.

#### 1.6 APPLICATION FOR PAYMENT

- A. Submit three copies, electronically, signed and sealed, of each Application for Payment on the provided application of payment form.
- B. Content and Format: Use Schedule of Values for listing items in Application for Payment.
- C. Submit updated construction schedule, if applicable, with each Application for Payment.
- D. Submit three copies of lien waivers requested by Owner.
- E. Substantiating Data: When Engineer requires substantiating information, submit data justifying dollar amounts in question. Include the following with Application for Payment:
  - 1. Current construction photographs.
  - 2. Partial release of liens from major Subcontractors and vendors.
  - 3. Record Documents, for review by Owner, which will be returned to Contractor.
  - 4. Affidavits attesting to off-Site stored products.
  - 5. Construction Progress Schedule, revised and current.

#### 1.7 CHANGE PROCEDURES

- A. Submittals: Submit name of individual who is authorized to receive change documents and is responsible for informing others in Contractor's employ or Subcontractors of changes to the Work.
- B. Carefully study and compare Contract Documents before proceeding with fabrication and installation of Work. Promptly advise Architect/Engineer of any error, inconsistency, omission, or apparent discrepancy.
- C. Requests for Interpretation (RFI) and Clarifications: Allot time in construction scheduling for liaison with Architect/Engineer; establish procedures for handling queries and clarifications.
  - 1. Use provided forms for requesting interpretations.
  - 2. Engineer may respond with a direct answer on the Request for Interpretation form or within a letter format.
- D. Engineer will advise of minor changes in the Work not involving adjustment to Contract Sum/Price or Contract Time by issuing supplemental instructions on a work change directive form or within a letter format.
- E. Engineer may issue Notice of Change including a detailed description of proposed change with supplementary or revised Drawings and Specifications, a change in Contract Time for executing

the change with stipulation of overtime work required and with the period of time during which the requested price will be considered valid. Contractor will prepare and submit estimate within 5 days.

- F. Contractor may propose changes by submitting a request for change to Engineer, describing proposed change and its full effect on the Work. Include a statement describing reason for the change and the effect on Contract Sum/Price and Contract Time with full documentation.
- G. Stipulated Sum/Price Change Order: Based on Notice of Change and Contractor's fixed price quotation or Contractor's request for Change Order as approved by Engineer.
- H. Unit Price Change Order: For Contract unit prices and quantities, the Change Order will be executed on a fixed unit price basis. For unit costs or quantities of units of that which are not predetermined, execute Work under Work Directive Change. Changes in Contract Sum/Price or Contract Time will be computed as specified for Time and Material Change Order.
- I. Work Directive Change: Engineer may issue directive, on EJCDC C-940 - Work Change Directive signed by Owner, instructing Contractor to proceed with change in the Work, for subsequent inclusion in a Change Order. Document will describe changes in the Work and designate method of determining any change in Contract Sum/Price or Contract Time. Promptly execute change.
- J. Document each quotation for change in Project Cost or Time with sufficient data to allow evaluation of quotation.
- K. Change Order Forms: EJCDC C-941 - Change Order

## 1.8 DEFECT ASSESSMENT

- A. Replace the Work, or portions of the Work, not conforming to specified requirements.
- B. If, in the opinion of Engineer, it is not practical to remove and replace the Work, Engineer will direct appropriate remedy or adjust payment.
- C. The defective Work may remain, but unit sum/price will be adjusted to new sum/price reduced at discretion of Engineer and Owner
- D. Authority of Engineer to assess defects and identify payment adjustments is final.

## 1.9 UNIT PRICES

- A. Engineer will take measurements and compute quantities accordingly. Provide assistance in taking of measurements.
- B. Unit Quantities: Quantities and measurements indicated on Bid Form are for Contract purposes only.
  - 1. When actual Work requires more or fewer quantities than those quantities indicated, provide required quantities at contracted unit sum/prices.

- C. Payment Includes: Full compensation for required labor, products, tools, equipment, plant and facilities, transportation, services and incidentals; erection, application, or installation of item of the Work; overhead and profit.
- D. Final payment for Work governed by unit prices will be made on basis of actual measurements and quantities accepted by Architect/Engineer multiplied by unit sum/price for Work incorporated in or made necessary by the Work.
- E. Unit Price Schedule:
  - 1. See Bid Form

- 1.10 ALTERNATES
  - a. N/A

PART 2 - PRODUCTS - Not Used

PART 3 - EXECUTION - Not Used

END OF SECTION 012000

This document has important legal consequences; consultation with an attorney is encouraged with respect to its use or modification. This document should be adapted to the particular circumstances of the contemplated Project and the controlling Laws and Regulations.

## APPLICATION FOR PAYMENT

Prepared By



Endorsed By





Copyright© 2018

National Society of Professional Engineers  
1420 King Street, Alexandria, VA 22314-2794  
(703) 684-2882  
[www.nspe.org](http://www.nspe.org)

American Council of Engineering Companies  
1015 15th Street N.W., Washington, DC 20005  
(202) 347-7474  
[www.acec.org](http://www.acec.org)

American Society of Civil Engineers  
1801 Alexander Bell Drive, Reston, VA 20191-4400  
(800) 548-2723  
[www.asce.org](http://www.asce.org)

The copyright for this EJCDC document is owned jointly by the three sponsoring organizations listed above. The National Society of Professional Engineers is the Copyright Administrator for the EJCDC documents; please direct all inquiries regarding EJCDC copyrights to NSPE.

NOTE: EJCDC publications may be purchased at [www.ejcdc.org](http://www.ejcdc.org), or from any of the sponsoring organizations above.

# **GUIDELINES FOR THE INTENDED USE OF EJCDC C-620, APPLICATION FOR PAYMENT**

## **1.0 PURPOSE AND INTENDED USE OF THE DOCUMENT**

The Application for Payment is used to facilitate periodic progress payments to the Contractor for Work completed and for stored materials and equipment (referred to in this document as "Stored Materials").

For additional information regarding the Application for Payment, see EJCDC® C-700, Standard General Conditions of the Construction Contract (2018), Paragraph 15.01, and EJCDC® C-001, Commentary on the 2018 EJCDC Construction Documents (2018).

## **2.0 APPLICATION FOR PAYMENT OVERVIEW**

This document was prepared in Microsoft Excel due to the number of calculations involved in the preparation of the Application for Payment. The application consists of a Summary worksheet, and 3 supporting worksheets: Lump Sum worksheet, Unit Price worksheet, and Stored Materials worksheet.

- 2.1 *Summary Worksheet* — calculates the amount to be paid to the Contractor at the end of each Application for Payment period. This calculation imports numbers from the supporting worksheets to determine the value of the Work completed and Stored Materials, calculate retainage, and deduct amounts previously paid to determine the amount the Contractor should be paid for the current application period. Application periods are typically one month; however these periods may be extended when Contractor's efforts do not result in the billable completion of Work or storage of materials and equipment during the payment period.
  
- 2.2 *Lump Sum Worksheet* — calculates the total value for completed Work for which compensation is paid on a Lump Sum basis. The schedule of values included in this worksheet reflects a breakdown of lump sum Work items to which Contractor and Engineer have agreed, pursuant to Article 2 of the General Conditions. Costs for Stored Materials associated with lump sum items are included on this worksheet to calculate the total value for completed lump sum Work and associated Stored Materials. This total is exported to the Summary worksheet. Separate totals for Work Completed and for materials currently stored are also exported to the Summary worksheet for use in calculating the amount of retainage to be held for each.
  
- 2.3 *Unit Price Worksheet* — calculates the total value for completed Work for which compensation is paid on a Unit Price basis. The schedule of values included in this spreadsheet is typically a tabulation of Unit Price items from the Agreement. Costs for Stored Materials associated with unit price items are included in this worksheet to calculate the total value for completed Unit Price Work and associated Stored Materials. This total is exported to the Summary worksheet. Separate totals for Work Completed and for Materials Currently Stored are also exported to the Summary worksheet for use in calculating the amount of retainage to be held for each.

2.4 *Stored Materials Worksheet* — calculates the total value for materials and equipment that have been purchased and are being stored until they are incorporated into the Work. This worksheet adds materials and equipment to the worksheet as they are brought to the site and stored; such Stored Materials are then deducted from the Stored Materials worksheet total as they are incorporated into the Work, providing a running net value for the materials and equipment remaining in storage. The values of Stored Materials must be manually added to the Lump Sum or Unit Price line items. These do not automatically update when changes are made. The amount of materials remaining in storage is eligible for payment but must be tracked separately from Work completed since different retainage rates may apply to Work completed and Stored Materials.

### **3.0 Instructions for filling out the Payment Application form**

- 3.1 Project-specific information is to be entered in the top portion (header) of the Summary worksheet. This same information will automatically be copied to the other worksheets to complete the headers on all other worksheets.
- 3.2 Outside of the header, data can be entered in non-shaded cells when the sheet is protected. Cells shaded light blue contain equations that will automatically transfer data from other cells or make calculations to complete the worksheet. Altering any of these cells can result in errors in the Application for Payment. It is recommended that the worksheets be protected at all times unless alterations are deliberately being made to the Application for Payment form other than to enter data. See Paragraph 4.0 below for information on Protection of Worksheets.
- 3.3 Enter information regarding each item in the Lump Sum and/or Unit Price worksheets. For Lump Sum projects, each item should represent an item in the schedule of values prepared by the Contractor and approved by the Engineer/Owner, breaking down the Lump Sum amount into measurable components. For Unit Price contracts, use numbers from the Agreement as the schedule of values. Specific information on the data to be entered into each column may be seen by clicking on the header description for that column. Similar comments may be seen for cells in the "Totals" row that indicates how the number is calculated and where this number is exported to another part of the spreadsheet. See the Commentary for additional information.
- 3.4 The equations in the Summary worksheet use numbers imported from both the Lump Sum and Unit Price worksheets. Projects will typically either use the Lump Sum or the Unit Price worksheet, but some projects may use both. If one of the worksheets is not used, it should be hidden and not deleted. If it is deleted, Users will need to correct the equations in the Summary worksheet by unprotecting the worksheet and editing the equations. To hide a worksheet, right click on the worksheet tab at the bottom of the worksheet and select "Hide." To unhide a worksheet, right click on any worksheet tab and select "Unhide," and then select the worksheet to unhide and click "Okay." This same process may be used to hide these Guidelines for Use.

#### **4.0 Protection of Worksheets**

- 4.1 The cells in this Workbook that create the forms or contain equations have been coded to "lock" the cells that should not be altered. It is recommended that the Workbook be Protected (cells locked) at all times unless it is necessary to add or delete rows. Directions for adding and deleting rows are provided in the next section. Passwords can be used to lock the Protect / Unprotect settings on spreadsheets, however the worksheets in this workbook do not require a password.
- 4.2 To unprotect a worksheet, click on the "Review" menu tab at the top of Excel, then click "Unprotect Sheet." To protect a worksheet, click on the "Review" menu tab at the top of Excel, then click "Protect Sheet." This will open a dialog box in which the User is allowed to select protection options. It is recommended that only the top two checkboxes for "Select Locked Cells" and "Select Unlocked Cells" be checked. This will reset the protection for the Worksheet.

#### **5.0 Adding and Deleting Rows**

- 5.1 A limited number of blank rows are provided in the Lump Sum, Unit Price, and Stored Material worksheets. Additional rows may be added to these worksheets by the User. The first step in this process is to unprotect the worksheet as previously discussed. After the sheet is unprotected, move with caution to prevent inadvertently deleting any cells that contain equations. To insert a row, right click in the row heading at the left of the spreadsheet and select "Insert." A new row will be inserted at the location where the cursor was placed in the row heading. If more than one new row is desired, left click and drag the cursor to include the desired number of rows, right click in the selected row headings and then select "Insert." It is important that the line immediately above the "Totals" row not be included in the rows selected. Doing so will require that equations in the "Totals" row be adjusted. When rows are inserted, Excel automatically adjusts the equations to include the new rows, unless the row directly above the "Totals" row is also selected.
- 5.2 After new rows are inserted, it is important to copy a line from one of the original rows so correct formatting and equations are copied into each new row. To do this, select the row to be copied by clicking the cell in Column A and dragging the cursor to the last column in the table. Then select "Copy" from the menu or type CTRL+C to copy the cells. Excel will show that this row has been copied by showing a moving dashed line around the cells that are to be copied. Then select the new rows into which the information is to be copied as before and select Paste from the menu or type CTRL+V.
- 5.3 To delete an unused row, right click in the row heading on the left of the spreadsheet for the row to be deleted and select "Delete." The selected row will be deleted. If more than one row is to be deleted, left click and drag the cursor to the desired number of rows to be deleted and then right click to open the menu and select "Delete." Unlike the admonition on adding new rows, it is okay to delete the row just above the "Totals" row.
- 5.4 After rows have been added or deleted, it is important reset the worksheet protection.

## **6.0 Saving Files**

This file is provided as a Microsoft<sup>®</sup> Excel Open XML workbook template (.xltx) to prevent this file from being inadvertently changed. When an application for payment is created for a specific project it should be saved as an Excel workbook (.xlsx) file. To do this, select Save As (F12), type in a new file name and select Excel Workbook (.xlsx) from the drop down Save As Type menu.

## **7.0 License Agreement**

This document is subject to the terms and conditions of the License Agreement, 2018 EJCDC<sup>®</sup> Construction Series Documents. A copy of the License Agreement was furnished at the time of purchase of this document, and is available for review at [www.ejcdc.org](http://www.ejcdc.org) and the websites of EJCDC's sponsoring organizations.

**Contractor's Application for Payment**

<b>Owner:</b> _____	<b>Owner's Project No.:</b> _____
<b>Engineer:</b> _____	<b>Engineer's Project No.:</b> _____
<b>Contractor:</b> _____	<b>Contractor's Project No.:</b> _____
<b>Project:</b> _____	
<b>Contract:</b> _____	
<b>Application No.:</b> _____	<b>Application Date:</b> _____
<b>Application Period:</b> From _____	to _____

1. Original Contract Price	\$	-
2. Net change by Change Orders	\$	-
3. Current Contract Price (Line 1 + Line 2)	\$	-
4. Total Work completed and materials stored to date (Sum of Column G Lump Sum Total and Column J Unit Price Total)	\$	-
5. Retainage		
a. _____ X \$ _____ - Work Completed	\$	-
b. _____ X \$ _____ - Stored Materials	\$	-
c. Total Retainage (Line 5.a + Line 5.b)	\$	-
6. Amount eligible to date (Line 4 - Line 5.c)	\$	-
7. Less previous payments (Line 6 from prior application)		
8. Amount due this application	\$	-
9. Balance to finish, including retainage (Line 3 - Line 4)	\$	-

**Contractor's Certification**

The undersigned Contractor certifies, to the best of its knowledge, the following:

(1) All previous progress payments received from Owner on account of Work done under the Contract have been applied on account to discharge Contractor's legitimate obligations incurred in connection with the Work covered by prior Applications for Payment;

(2) Title to all Work, materials and equipment incorporated in said Work, or otherwise listed in or covered by this Application for Payment, will pass to Owner at time of payment free and clear of all liens, security interests, and encumbrances (except such as are covered by a bond acceptable to Owner indemnifying Owner against any such liens, security interest, or encumbrances); and

(3) All the Work covered by this Application for Payment is in accordance with the Contract Documents and is not defective.

**Contractor:** \_\_\_\_\_

**Signature:** \_\_\_\_\_ **Date:** \_\_\_\_\_

<b>Recommended by Engineer</b>	<b>Approved by Owner</b>
<b>By:</b> _____	<b>By:</b> _____
<b>Title:</b> _____	<b>Title:</b> _____
<b>Date:</b> _____	<b>Date:</b> _____
<b>Approved by Funding Agency</b>	
<b>By:</b> _____	<b>By:</b> _____
<b>Title:</b> _____	<b>Title:</b> _____
<b>Date:</b> _____	<b>Date:</b> _____







**Progress Estimate - Unit Price Work**

**Contractor's Application for Payment**

Owner: \_\_\_\_\_  
 Engineer: \_\_\_\_\_  
 Contractor: \_\_\_\_\_  
 Project: \_\_\_\_\_  
 Contract: \_\_\_\_\_

Owner's Project No.: \_\_\_\_\_  
 Engineer's Project No.: \_\_\_\_\_  
 Contractor's Project No.: \_\_\_\_\_

Application No.: \_\_\_\_\_ Application Period: From \_\_\_\_\_ to \_\_\_\_\_ Application Date: \_\_\_\_\_

A	B	C	D	E	F	G	H	I	J	K	L
Bid Item No.	Description	Contract Information				Work Completed		Materials Currently Stored (not in G) (\$)	Work Completed and Materials Stored to Date (H + I) (\$)	% of Value of Item (J / F) (%)	Balance to Finish (F - J) (\$)
		Item Quantity	Units	Unit Price (\$)	Value of Bid Item (C X E) (\$)	Estimated Quantity Incorporated in the Work	Value of Work Completed to Date (E X G) (\$)				
<b>Original Contract</b>											
					-		-		-		-
					-		-		-		-
					-		-		-		-
					-		-		-		-
					-		-		-		-
					-		-		-		-
					-		-		-		-
					-		-		-		-
					-		-		-		-
					-		-		-		-
					-		-		-		-
					-		-		-		-
					-		-		-		-
					-		-		-		-
					-		-		-		-
					-		-		-		-
					-		-		-		-
					-		-		-		-
					-		-		-		-
<b>Original Contract Totals</b>					\$ -		\$ -	\$ -	\$ -		\$ -

**Progress Estimate - Unit Price Work**

**Contractor's Application for Payment**

Owner: \_\_\_\_\_  
 Engineer: \_\_\_\_\_  
 Contractor: \_\_\_\_\_  
 Project: \_\_\_\_\_  
 Contract: \_\_\_\_\_

Owner's Project No.: \_\_\_\_\_  
 Engineer's Project No.: \_\_\_\_\_  
 Contractor's Project No.: \_\_\_\_\_

Application No.: \_\_\_\_\_ Application Period: From \_\_\_\_\_ to \_\_\_\_\_ Application Date: \_\_\_\_\_

A	B	C	D	E	F	G	H	I	J	K	L
Bid Item No.	Description	Contract Information				Work Completed		Materials Currently Stored (not in G) (\$)	Work Completed and Materials Stored to Date (H + I) (\$)	% of Value of Item (J / F) (%)	Balance to Finish (F - J) (\$)
		Item Quantity	Units	Unit Price (\$)	Value of Bid Item (C X E) (\$)	Estimated Quantity Incorporated in the Work	Value of Work Completed to Date (E X G) (\$)				
<b>Change Orders</b>											
					-		-		-		-
					-		-		-		-
					-		-		-		-
					-		-		-		-
					-		-		-		-
					-		-		-		-
					-		-		-		-
					-		-		-		-
					-		-		-		-
					-		-		-		-
					-		-		-		-
					-		-		-		-
					-		-		-		-
					-		-		-		-
					-		-		-		-
					-		-		-		-
					-		-		-		-
					-		-		-		-
					-		-		-		-
<b>Change Order Totals</b>					\$ -		\$ -	\$ -	\$ -		\$ -
<b>Original Contract and Change Orders</b>											
<b>Project Totals</b>					\$ -		\$ -	\$ -	\$ -		\$ -



This document has important legal consequences; consultation with an attorney is encouraged with respect to its use or modification. This document should be adapted to the particular circumstances of the contemplated Project and the controlling Laws and Regulations.

## WORK CHANGE DIRECTIVE

Prepared By



Endorsed By



Copyright© 2018

National Society of Professional Engineers  
1420 King Street, Alexandria, VA 22314-2794  
(703) 684-2882  
[www.nspe.org](http://www.nspe.org)

American Council of Engineering Companies  
1015 15th Street N.W., Washington, DC 20005  
(202) 347-7474  
[www.acec.org](http://www.acec.org)

American Society of Civil Engineers  
1801 Alexander Bell Drive, Reston, VA 20191-4400  
(800) 548-2723  
[www.asce.org](http://www.asce.org)

The copyright for this EJCDC document is owned jointly by the three sponsoring organizations listed above. The National Society of Professional Engineers is the Copyright Administrator for the EJCDC documents; please direct all inquiries regarding EJCDC copyrights to NSPE.

NOTE: EJCDC publications may be purchased at [www.ejcdc.org](http://www.ejcdc.org), or from any of the sponsoring organizations above.

# GUIDELINES FOR USE OF EJCDC® C-940 WORK CHANGE DIRECTIVE

## 1.0 PURPOSE AND INTENDED USE OF THE DOCUMENT

The Work Change Directive is used by Owner to order additions, deletions, or revisions in the Work to proceed without waiting until Owner and Contractor have agreed upon the impact, if any, of these changes on Contract Price, Contract Times, or both. See Paragraph 11.03, EJCDC® C-700, Standard General Conditions of the Construction Contract (2018).

The document is unilateral in nature and does not require Contractor's signature. Owner or Engineer should maintain documentation of the transmittal of a Work Change Directive to Contractor.

Because, by definition, Work Change Directives involve changes to the Work, EJCDC presumes that all Work Change Directives must be supported by Engineer's recommendation. See C-700, Paragraph 11.01.C.

Although the General Conditions do not require any estimates of the impact of the ordered change on the schedule or Contract Price, such estimates are considered good practice and are commonly provided. The estimates may serve as a starting point for determination of schedule and cost impacts.

For additional information regarding C-940, see EJCDC® C-001, Commentary on the 2018 EJCDC Construction Documents (2018).

## 2.0 EDITING THIS DOCUMENT

2.1 It is intended that this document be edited for each Contract. Guidelines for editing include:

- A. Remove the cover pages which consist of the title pages, and these Guidelines for Use.
- B. Type in required information as indicated by brackets ([ ]). Bracketed text will usually provide instructions for what is to be inserted in place of the brackets. Delete brackets and change formatting to match existing text after project specific text has been added, e.g. change "[Project Name]" to "Peach Street Renovation" (without brackets or bold, or quotation marks).
- C. Fill in blanks, if any. It will be more common for information to be inserted by user to be indicated by a prompt in brackets, as described in Paragraph B above, rather than by an underline-style blank.
- D. Most Notes to User are presented before the text to which they apply; some Notes to Users are interspersed in the text, usually within brackets. Delete all "Notes to User" after reviewing each note and taking appropriate action. Delete all associated numbering and brackets.
- E. Modify check-boxes as required by clicking in the box.

## 3.0 LICENSE AGREEMENT

This document is subject to the terms and conditions of the **License Agreement, 2018 EJCDC® Construction Series Documents**. A copy of the License Agreement was furnished at the time of purchase of this document, and is available for review at [www.ejcdc.org](http://www.ejcdc.org) and the websites of EJCDC's sponsoring organizations.

**THIS PAGE INTENTIONALLY LEFT BLANK.**

**WORK CHANGE DIRECTIVE NO.: [Number of Work Change Directive]**

Owner:

Owner's Project No.:

Engineer:

Engineer's Project No.:

Contractor:

Contractor's Project No.:

Project:

Contract Name:

Date Issued:

Effective Date of Work Change Directive:

Contractor is directed to proceed promptly with the following change(s):

Description:

**[Description of the change to the Work]**

Attachments:

**[List documents related to the change to the Work]**

Purpose for the Work Change Directive:

**[Describe the purpose for the change to the Work]**

Directive to proceed promptly with the Work described herein, prior to agreeing to change in Contract Price and Contract Time, is issued due to:

**Notes to User—Check one or both of the following**

Non-agreement on pricing of proposed change.  Necessity to proceed for schedule or other reasons.

Estimated Change in Contract Price and Contract Times (non-binding, preliminary):

Contract Price: \$ \_\_\_\_\_ **[increase] [decrease] [not yet estimated].**

Contract Time: \_\_\_\_\_ days **[increase] [decrease] [not yet estimated].**

Basis of estimated change in Contract Price:

Lump Sum  Unit Price  Cost of the Work  Other

Recommended by Engineer

Authorized by Owner

By:

\_\_\_\_\_

\_\_\_\_\_

Title:

\_\_\_\_\_

\_\_\_\_\_

Date:

\_\_\_\_\_

\_\_\_\_\_



**THIS PAGE INTENTIONALLY LEFT BLANK.**

This document has important legal consequences; consultation with an attorney is encouraged with respect to its use or modification. This document should be adapted to the particular circumstances of the contemplated Project and the controlling Laws and Regulations.

## CHANGE ORDER

Prepared By



Endorsed By



Copyright© 2018:

National Society of Professional Engineers  
1420 King Street, Alexandria, VA 22314-2794  
(703) 684-2882  
[www.nspe.org](http://www.nspe.org)

American Council of Engineering Companies  
1015 15th Street N.W., Washington, DC 20005  
(202) 347-7474  
[www.acec.org](http://www.acec.org)

American Society of Civil Engineers  
1801 Alexander Bell Drive, Reston, VA 20191-4400  
(800) 548-2723  
[www.asce.org](http://www.asce.org)

The copyright for this EJCDC document is owned jointly by the three sponsoring organizations listed above. The National Society of Professional Engineers is the Copyright Administrator for the EJCDC documents; please direct all inquiries regarding EJCDC copyrights to NSPE.

NOTE: EJCDC publications may be purchased at [www.ejcdc.org](http://www.ejcdc.org), or from any of the sponsoring organizations above.

# GUIDELINES FOR USE OF EJCDC® C-941 CHANGE ORDER

## 1.0 PURPOSE AND INTENDED USE OF THE DOCUMENT

The Change Order is used to make modifications to the Contract that change the Contract Price or Contract Times. Changes to the Contract are addressed in Article 11 of EJCDC® C-700, Standard General Conditions of the Construction Contract (2018).

Most Change Orders require the Engineer's recommendation. See C-700, Paragraph 11.01. Many publicly funded projects require that Change Orders be approved by the funding agency (such as the Rural Utilities Service). For projects that do not require such approval, the user may delete the funding agency approval block, or indicate "Not Applicable."

For additional information regarding C-941, see EJCDC® C-001, Commentary on the 2018 EJCDC Construction Documents (2018).

## 2.0 EDITING THIS DOCUMENT

2.1 It is intended that this document be edited for each Contract. Guidelines for editing include:

- A. Remove the cover pages which consist of the title pages, and these Guidelines for Use.
- B. Type in required information as indicated by brackets ([ ]). Bracketed text will usually provide instructions for what is to be inserted in place of the brackets. Delete brackets and change formatting to match existing text after project specific text has been added, e.g. change "[Project Name]" to "Peach Street Renovation" (without brackets or bold, or quotation marks).
- C. Fill in blanks, if any. It will be more common for information to be inserted by user to be indicated by a prompt in brackets, as described in Paragraph B above, rather than by an underline-style blank.
- D. Most Notes to User are presented before the text to which they apply; some Notes to Users are interspersed in the text, usually within brackets. Delete all "Notes to User" after reviewing each note and taking appropriate action. Delete all associated numbering and brackets.
- E. Complete tables.

## 3.0 LICENSE AGREEMENT

This document is subject to the terms and conditions of the **License Agreement, 2018 EJCDC® Construction Series Documents**. A copy of the License Agreement was furnished at the time of purchase of this document, and is available for review at [www.ejcdc.org](http://www.ejcdc.org) and the websites of EJCDC's sponsoring organizations.

**CHANGE ORDER NO.: [Number of Change Order]**

Owner: \_\_\_\_\_ Owner's Project No.: \_\_\_\_\_  
 Engineer: \_\_\_\_\_ Engineer's Project No.: \_\_\_\_\_  
 Contractor: \_\_\_\_\_ Contractor's Project No.: \_\_\_\_\_  
 Project: \_\_\_\_\_  
 Contract Name: \_\_\_\_\_  
 Date Issued: \_\_\_\_\_ Effective Date of Change Order: \_\_\_\_\_

The Contract is modified as follows upon execution of this Change Order:

Description:

**[Description of the change]**

Attachments:

**[List documents related to the change]**

Change in Contract Price	Change in Contract Times [State Contract Times as either a specific date or a number of days]
Original Contract Price: \$ _____	Original Contract Times: Substantial Completion: _____ Ready for final payment: _____
<b>[Increase] [Decrease]</b> from previously approved Change Orders No. 1 to No. <b>[Number of previous Change Order]</b> : \$ _____	<b>[Increase] [Decrease]</b> from previously approved Change Orders No.1 to No. <b>[Number of previous Change Order]</b> : Substantial Completion: _____ Ready for final payment: _____
Contract Price prior to this Change Order: \$ _____	Contract Times prior to this Change Order: Substantial Completion: _____ Ready for final payment: _____
<b>[Increase] [Decrease]</b> this Change Order: \$ _____	<b>[Increase] [Decrease]</b> this Change Order: Substantial Completion: _____ Ready for final payment: _____
Contract Price incorporating this Change Order: \$ _____	Contract Times with all approved Change Orders: Substantial Completion: _____ Ready for final payment: _____

Recommended by Engineer (if required)

Accepted by Contractor

By: \_\_\_\_\_

\_\_\_\_\_

Title: \_\_\_\_\_

\_\_\_\_\_

Date: \_\_\_\_\_

\_\_\_\_\_

Authorized by Owner

Approved by Funding Agency (if applicable)

By: \_\_\_\_\_

\_\_\_\_\_

Title: \_\_\_\_\_

\_\_\_\_\_

Date: \_\_\_\_\_

\_\_\_\_\_

This document has important legal consequences; consultation with an attorney is encouraged with respect to its use or modification. This document should be adapted to the particular circumstances of the contemplated Project and the controlling Laws and Regulations.

## FIELD ORDER

Prepared By



Endorsed By



Copyright© 2018

National Society of Professional Engineers  
1420 King Street, Alexandria, VA 22314-2794  
(703) 684-2882  
[www.nspe.org](http://www.nspe.org)

American Council of Engineering Companies  
1015 15th Street N.W., Washington, DC 20005  
(202) 347-7474  
[www.acec.org](http://www.acec.org)

American Society of Civil Engineers  
1801 Alexander Bell Drive, Reston, VA 20191-4400  
(800) 548-2723  
[www.asce.org](http://www.asce.org)

The copyright for this EJCDC document is owned jointly by the three sponsoring organizations listed above. The National Society of Professional Engineers is the Copyright Administrator for the EJCDC documents; please direct all inquiries regarding EJCDC copyrights to NSPE.

NOTE: EJCDC publications may be purchased at [www.ejcdc.org](http://www.ejcdc.org), or from any of the sponsoring organizations above.

# GUIDELINES FOR USE OF EJCDC® C-942, FIELD ORDER

## 1.0 PURPOSE AND INTENDED USE OF THE DOCUMENT

The Field Order is used by Engineer to order minor changes to the Work that do not change the Contract Price or Contract Times. See Paragraph 11.04, EJCDC® C-700, Standard General Conditions of the Construction Contract (2018).

A Field Order is signed only by the Engineer. Engineer should maintain documentation of the transmittal of a Field Order to Contractor.

For additional information regarding C-942, see EJCDC® C-001, Commentary on the 2018 EJCDC Construction Documents (2018).

## 2.0 EDITING THIS DOCUMENT

2.1 It is intended that this document be edited for each Contract. Guidelines for editing include:

- A. Remove the cover pages which consist of the title pages and these Guidelines for Use.
- B. Type in required information as indicated by brackets ([ ]). Bracketed text will usually provide instructions for what is to be inserted in place of the brackets. Delete brackets and change formatting to match existing text after project specific text has been added, e.g. change “[Project Name]” to “Peach Street Renovation” (without brackets or bold, or quotation marks).
- C. Fill in blanks, if any. It will be more common for information to be inserted by user to be indicated by a prompt in brackets, as described in Paragraph B above, rather than by an underline-style blank.
- D. Most Notes to User are presented before the text to which they apply; some Notes to Users are interspersed in the text, usually within brackets. Delete all “Notes to User” after reviewing each note and taking appropriate action. Delete all associated numbering and brackets.
- E. Complete tables.

## 3.0 LICENSE AGREEMENT

This document is subject to the terms and conditions of the **License Agreement, 2018 EJCDC® Construction Series Documents**. A copy of the License Agreement was furnished at the time of purchase of this document, and is available for review at [www.ejcdc.org](http://www.ejcdc.org) and the websites of EJCDC’s sponsoring organizations.



**FIELD ORDER NO.: [Number of Field Order]**

Owner: \_\_\_\_\_ Owner's Project No.: \_\_\_\_\_  
Engineer: \_\_\_\_\_ Engineer's Project No.: \_\_\_\_\_  
Contractor: \_\_\_\_\_ Contractor's Project No.: \_\_\_\_\_  
Project: \_\_\_\_\_  
Contract Name: \_\_\_\_\_  
Date Issued: \_\_\_\_\_ Effective Date of Field Order: \_\_\_\_\_

Contractor is hereby directed to promptly perform the Work described in this Field Order, issued in accordance with Paragraph 11.04 of the General Conditions, for minor changes in the Work without changes in Contract Price or Contract Times. If Contractor considers that a change in Contract Price or Contract Times is required, submit a Change Proposal before proceeding with this Work.

**Reference:**

Specification Section(s): \_\_\_\_\_

Drawing(s) / Details (s): \_\_\_\_\_

**Description:**

**[Description of the change to the Work]**

**Attachments:**

**[List documents supporting change]**

**Issued by Engineer**

By: \_\_\_\_\_

Title: \_\_\_\_\_

Date: \_\_\_\_\_



**This page intentionally left blank.**

## SECTION 012500 - SUBSTITUTION PROCEDURES

### PART 1 - GENERAL

#### 1.1 SECTION INCLUDES

- A. Quality assurance.
- B. Product substitution procedures.

#### 1.2 QUALITY ASSURANCE

- A. Contract is based on products and standards established in Contract Documents without consideration of proposed substitutions.
- B. Products specified define standard of quality, type, function, dimension, appearance, and performance required.
- C. Substitution Proposals: Permitted for specified products except where specified otherwise. Do not substitute products unless substitution has been accepted and approved in writing by Owner.

#### 1.3 PRODUCT SUBSTITUTION PROCEDURES

- A. Document 002113 - Instructions to Bidders specifies time restrictions for submitting requests for substitutions during Bidding period.

PART 2 - PRODUCTS - Not Used

PART 3 - EXECUTION - Not Used

END OF SECTION 012500

**This page intentionally left blank.**

SECTION 012500.1 – SUBSTITUTION REQUEST FORM

GENERAL: Form shall be submitted via General Contractor to Engineer.

PROJECT TITLE AND NO. The Town of Wadley, Alabama  
Municipal Road Improvements – Re-Paving Improvements (2022 Rebuild Alabama)  
Project No. 242-R2

TO: INSITE ENGINEERING, LLC  
 5800 Feldspar Way  
 Hoover, Alabama 35244  
 Telephone: 205.733.9696

THIS SUBSTITUTION REQUEST IS FOR:  CAUSE   
 CONVENIENCE

ATTN: \_\_\_\_\_

DATE OF REQUEST: \_\_\_\_\_ DATE OF NOTICE TO PROCEED: \_\_\_\_\_

SPECIFIED ITEM: \_\_\_\_\_

Section \_\_\_\_\_ Paragraph \_\_\_\_\_

REASON FOR SUBSTITUTION: \_\_\_\_\_

PROPOSED SUBSTITUTE: (indicate manufacturer and model) \_\_\_\_\_

Attach complete description, catalog, spec data, and laboratory tests.

1. Describe change to Contract Documents proposed substitute will require for its proper installation.

\_\_\_\_\_  
 \_\_\_\_\_

2. Will substitution affect electrical requirements, wiring, piping, equipment, systems, ductwork, etc. indicated in Contract Documents?

No  Yes; Explain: \_\_\_\_\_  
 \_\_\_\_\_

3. Proposed substitution affects other trades.  No  Yes; Explain: \_\_\_\_\_

---

---

4. List all differences between proposed substitute and specified product/material: (noise, weight, power, size, gage, finishes, dimensions, etc.). Attach separate sheet if necessary.

---

---

5. List (on separate sheet) the availability of maintenance services and replacement materials for proposed substitution.

6. List (on separate sheet) company names, addresses, phone numbers and contact persons of fabricators and suppliers for proposed substitution.

7. Will substitution affect the construction schedule?

No  Yes; Explain \_\_\_\_\_

---

---

8. If the substitution request is accepted, it will result in: No cost impact \_\_\_\_\_

Lower cost (How much) \_\_\_\_\_ Added cost (How much) \_\_\_\_\_

9. Are there any additional license fees and/or royalties pending on the proposed substitute.  No  Yes; Explain: \_\_\_\_\_

---

---

10. The undersigned certifies/agrees:

- Same warranty/guarantee will be furnished for proposed substitute as for specified product.
- Same maintenance service and source of replacement parts, as applicable, is available.
- Payment will be made for changes to building design, including Architect/Engineer design, detailing and construction costs caused by the substitution.

SUBMITTED BY: (Supplier or Subcontractor)

Firm: \_\_\_\_\_

Address: \_\_\_\_\_

Name and Title of Person Signing: \_\_\_\_\_

Signature: \_\_\_\_\_

Telephone No.: \_\_\_\_\_ Date: \_\_\_\_\_

REVIEWED AND APPROVED for Subcontractor or Supplier by (General Contractor):

Firm: \_\_\_\_\_

Address: \_\_\_\_\_

Name and Title of Person Signing: \_\_\_\_\_

Signature: \_\_\_\_\_

Telephone No.: \_\_\_\_\_ Date: \_\_\_\_\_

11. ENGINEER'S REVIEW AND ACTION:

\_\_\_ Accepted - Make submittals in accordance with Specification Section 01330.

\_\_\_ Accepted as Noted - Make submittals in accordance with Specification Section 01330.

\_\_\_ Rejected - Use specified materials.

\_\_\_ Received too late - Use specified materials.

Signature: \_\_\_\_\_ Date: \_\_\_\_\_

Remarks: \_\_\_\_\_

\_\_\_\_\_



**This page intentionally left blank.**

## SECTION 013000 - ADMINISTRATIVE REQUIREMENTS

### PART 1 - GENERAL

#### 1.1 SECTION INCLUDES

- A. Coordination and Project conditions.
- B. Preconstruction meeting.
- C. Site mobilization meeting.
- D. Progress meetings.
- E. Preinstallation meetings.
- F. Closeout meeting.
- G. Alteration procedures.

#### 1.2 COORDINATION AND PROJECT CONDITIONS

- A. Coordinate scheduling, submittals, and Work of various Sections of Project Manual to ensure efficient and orderly sequence of installation of interdependent construction elements with provisions for accommodating items installed later.
- B. Verify that utility requirements and characteristics of operating equipment are compatible with building utilities. Coordinate Work of various Sections having interdependent responsibilities for installing, connecting to, and placing operating equipment in service.
- C. Coordinate space requirements, supports, and installation of mechanical and electrical Work indicated diagrammatically on Drawings. Follow routing shown for pipes, ducts, and conduit as closely as practical; place runs parallel with lines of building. Use spaces efficiently to maximize accessibility for other installations, for maintenance, and for repairs.
  - 1. Coordination Drawings: Prepare as required to coordinate all portions of Work. Show relationship and integration of different construction elements that require coordination during fabrication or installation to fit in space provided or to function as intended. Indicate locations where space is limited for installation and access and where sequencing and coordination of installations are important.
- D. Coordination Meetings: In addition to other meetings specified in this Section, hold coordination meetings with personnel and Subcontractors to ensure coordination of Work.
- E. In finished areas except as otherwise indicated, conceal pipes, ducts, and wiring within construction. Coordinate locations of fixtures and outlets with finish elements.

### 1.3 PRECONSTRUCTION MEETING

- A. Engineer will schedule and preside over meeting after Contracts have been executed.
- B. Attendance Required: Engineer, Owner, and Contractor.
- C. Possible Agenda Items:
  - 1. Execution of Owner-Contractor Agreement.
  - 2. Submission of executed bonds and insurance certificates.
  - 3. Distribution of Contract Documents.
  - 4. Submission of list of Subcontractors, list of products, schedule of values, and Progress Schedule.
  - 5. Designation of personnel representing parties in Contract, and Engineer.
  - 6. Communication procedures.
  - 7. Procedures and processing of requests for interpretations, field decisions, field orders, submittals, substitutions, Applications for Payments, proposal request, Change Orders, and Contract closeout procedures.
  - 8. Scheduling.
  - 9. Critical Work sequencing.
  - 10. Scheduling activities
- D. Engineer will Record minutes and distribute to participants within 2 days after meeting to Owner, Contractor, and those affected by decisions made.

### 1.4 SITE MOBILIZATION MEETING

- A. N/A

### 1.5 PROGRESS MEETINGS

- A. Schedule and administer meetings throughout progress of the Work at maximum monthly intervals.
- B. Engineer will make arrangements for meetings, prepare agenda with copies for participants, and preside over meetings.
- C. Attendance Required: Job superintendent, major Subcontractors, Contractors, and suppliers, and Engineer, owner, as appropriate to agenda topics for each meeting.
- D. Probable Agenda Items:
  - 1. Review minutes of previous meetings.
  - 2. Review of Work progress.
  - 3. Field observations, problems, and decisions.
  - 4. Identification of problems impeding planned progress.
  - 5. Review of submittal schedule and status of submittals.
  - 6. Review of off-site fabrication and delivery schedules.
  - 7. Maintenance of Progress Schedule.

8. Corrective measures to regain projected schedules.
9. Planned progress during succeeding work period.
10. Coordination of projected progress.
11. Maintenance of quality and work standards.
12. Effect of proposed changes on Progress Schedule and coordination.
13. Other business relating to Work.

- E. Engineer will record minutes and distribute to participants within 2 days after meeting to owner, contractor, and those affected by decisions made.

#### 1.6 PREINSTALLATION MEETINGS

- A. When required in individual Specification Sections, convene preinstallation meetings at Project Site one (1) week before starting Work of specific Section.
- B. Require attendance of parties directly affecting, or affected by, Work of specific Section.
- C. Prepare agenda and preside over meeting:
  1. Review conditions of installation, preparation, and installation procedures.
  2. Review coordination with related Work.
- D. Record minutes and distribute copies to participants within two (2) days after meeting, and those affected by decisions made.

#### 1.7 CLOSEOUT MEETING

- A. N/A – Final Inspection will be Scheduled by Engineer after completion.

### PART 2 - PRODUCTS - Not Used

### PART 3 - EXECUTION

#### 3.1 ALTERATION PROCEDURES

- A. Entire Facility will be occupied for normal operations during progress of construction. Cooperate with Owner in scheduling operations to minimize conflict and to permit continuous usage.
  1. Perform Work not to interfere with operations of occupied areas.
  2. Keep utility and service outages to a minimum and perform only after written approval of Owner.
  3. Clean Owner-occupied areas daily. Clean spillage, overspray, and heavy collection of dust in Owner-occupied areas immediately.

- B. Materials: As specified in product Sections; match existing products with new products for patching and extending Work.
- C. Employ skilled installer to perform alteration and renovation Work.
- D. Cut, move, or remove items as necessary for access to alterations and renovation Work. Replace and restore at completion.
- E. Remove unsuitable material not marked for salvage, including rotted wood, corroded metals, and deteriorated masonry and concrete. Replace materials as specified for finished Work.
- F. Remove debris and abandoned items from area and from concealed spaces.
- G. Prepare surface and remove surface finishes to permit installation of new Work and finishes.
- H. Close openings in exterior surfaces to protect existing Work from weather and extremes of temperature and humidity.
- I. Remove, cut, and patch Work to minimize damage and to permit restoring products and finishes to new condition.
- J. Refinish existing visible surfaces to remain in renovated rooms and spaces, to renewed condition for each material, with neat transition to adjacent finishes.
- K. Where new Work abuts or aligns with existing Work, provide smooth and even transition. Patch Work to match existing adjacent Work in texture and appearance.
- L. When finished surfaces are cut so that smooth transition with new Work is not possible, terminate existing surface along straight line at natural line of division and submit recommendation to Architect/Engineer for review.
- M. Where change of plane of  $\frac{1}{4}$ " or more occurs submit recommendations to the engineer on process for ensuring smooth transitions.
- N. Trim existing doors to clear new floor finish. Refinish trim to original condition.
- O. Patch or replace portions of existing surfaces that are damaged, lifted, discolored, or showing other imperfections.
- P. Finish surfaces as specified in individual product Sections.

END OF SECTION 013000

## SECTION 013216 - CONSTRUCTION PROGRESS SCHEDULE

### PART 1 - GENERAL

#### 1.1 SECTION INCLUDES

- A. Submittals.
- B. Format.
- C. Review and evaluation.
- D. Distribution.

#### 1.2 SUBMITTALS

- A. Within seven (7) days after date of Owner-Contractor Agreement, submit draft of proposed complete bar chart schedule for review. Include written certification that Subcontractors have reviewed and accepted proposed schedule.
- B. Within seven (7) days after joint review, submit revised Progress Schedule.
- C. Submit updated schedules at Progress Meetings.
- D. Schedule Updates:
  - 1. Overall percent complete, projected and actual.
  - 2. Completion progress by listed activity and subactivity, to within five working days prior to submittal.
  - 3. Changes in Work scope and activities modified since submittal.
  - 4. Delays in submittals or resubmittals, deliveries, or Work.
  - 5. Adjusted or modified sequences of Work.
  - 6. Other identifiable changes.
  - 7. Revised projections of progress and completion.
- E. Narrative Progress Report:
  - 1. Submit with each submission of Progress Schedule.
  - 2. Summary of Work completed during the past period between reports.
  - 3. Work planned during the next period.
  - 4. Explanation of differences between summary of Work completed and Work planned in previously submitted report.
  - 5. Current and anticipated delaying factors and estimated impact on other activities and completion milestones.
  - 6. Corrective action taken or proposed.

### 1.3 FORMAT

- A. Computer-generated bar chart schedule to include at least:
  - 1. Identification and listing in chronological order of those activities reasonably required to complete the Work, including:
    - a. Subcontract Work.
    - b. Major equipment design, fabrication, factory testing, and delivery dates including required lead times.
    - c. Move-in and other preliminary activities.
    - d. Equipment and equipment system test and startup activities.
    - e. Project closeout and cleanup.
    - f. Work sequences, constraints, and milestones.
  - 2. Listings identified by Specification Section number.
  - 3. Identification of the following:
    - a. Horizontal time frame by year, month, and week.
    - b. Duration, early start, and completion for each activity and subactivity.
    - c. Critical activities and Project float.
    - d. Subschedules to further define critical portions of Work.

### 1.4 REVIEW AND EVALUATION

- A. Participate in joint review and evaluation of schedules with Architect/Engineer at each submittal.
- B. Evaluate Project status to determine Work behind schedule and Work ahead of schedule.
- C. After review, revise schedules incorporating results of review, and resubmit within (7) days.

### 1.5 DISTRIBUTION

- A. Following joint review, distribute copies of updated schedules to Contractor's Project site file, to Subcontractors, suppliers, Architect/Engineer, Owner, and other concerned parties.
- B. Instruct recipients to promptly report, in writing, problems anticipated by projections shown in schedules.

PART 2 - PRODUCTS - Not Used

PART 3 - EXECUTION - Not Used

END OF SECTION 013216

## SECTION 013300 - SUBMITTAL PROCEDURES

### PART 1 - GENERAL

#### 1.1 SECTION INCLUDES

- A. Definitions.
- B. Submittal procedures.
- C. Proposed product list.
- D. Product data.
- E. Use of electronic CAD files of Project Drawings.
- F. Shop Drawings.
- G. Samples.
- H. Design data.
- I. Test reports.
- J. Certificates.
- K. Manufacturer's instructions.
- L. Manufacturer's field reports.
- M. Erection Drawings.
- N. Construction photographs.
- O. Contractor review.
- P. Architect/Engineer review.

#### 1.2 DEFINITIONS

- A. Action Submittals: Written and graphic information and physical samples that require Engineer's responsive action.
- B. Informational Submittals: Written and graphic information and physical Samples that do not require Engineer's responsive action. Submittals may be rejected for not complying with requirements.



### 1.3 SUBMITTAL PROCEDURES

- A. Transmit each submittal with Engineer-accepted forms.
- B. Sequentially number transmittal forms. Mark revised submittals with original number and sequential alphabetic suffix.
- C. Identify: Project, Contractor, Subcontractor and supplier, pertinent Drawing and detail number, and Specification Section number appropriate to submittal.
- D. Apply Contractor's stamp, signed or initialed, certifying that review, approval, verification of products required, field dimensions, adjacent construction Work, and coordination of information is according to requirements of the Work and Contract Documents.
- E. Schedule submittals to expedite Project, and deliver to Engineer post electronic submittals as PDF electronic via email. It is the contractor's responsibility to ensure the submittal make it to the Engineer. Coordinate submission of related items.
- F. For each submittal for review, allow 15 days excluding delivery time to and from Contractor.
- G. Identify variations in Contract Documents and product or system limitations that may be detrimental to successful performance of completed Work.
- H. Allow space on submittals for Contractor and Architect/Engineer review stamps.
- I. When revised for resubmission, identify changes made since previous submission.
- J. Distribute copies of reviewed submittals as appropriate. Instruct parties to promptly report inability to comply with requirements.
- K. Submittals not requested will not be recognized nor processed.
- L. Incomplete Submittals: Architect/Engineer will not review. Complete submittals for each item are required. Delays resulting from incomplete submittals are not the responsibility of Architect/Engineer.

### 1.4 PROPOSED PRODUCT LIST

- A. Within 15 days after date of Notice to Proceed, submit list of major products proposed for use, with name of manufacturer, trade name, and model number of each product.
- B. For products specified only by reference standards, indicate manufacturer, trade name, model or catalog designation, and reference standards.

### 1.5 PRODUCT DATA

- A. Product Data: Action Submittal: Submit to Engineer for review for assessing conformance with information given and design concept expressed in Contract Documents.

- B. Submit number of copies Contractor requires, plus Three copies Engineer will retain. (if submitting hard copies.

or

- C. Electronic submittals as PDF electronic files to Engineer.
- D. Mark each copy to identify applicable products, models, options, and other data. Supplement manufacturers' standard data to provide information specific to this Project.
- E. Indicate product utility and electrical characteristics, utility connection requirements, and location of utility outlets for service for functional equipment and appliances.
- F. After review, produce copies and distribute.

#### 1.6 ELECTRONIC CAD FILES OF PROJECT DRAWINGS

- A. Electronic CAD Files of Project Drawings: May only be used to expedite production of Shop Drawings for the Project. Use for other Projects or purposes is not allowed.
- B. Electronic CAD Files of Project Drawings: Distributed only under the following conditions:
  - 1. Use of files is solely at receiver's risk. Architect/Engineer does not warrant accuracy of files. Receiving files in electronic form does not relieve receiver of responsibilities for measurements, dimensions, and quantities set forth in Contract Documents. In the event of ambiguity, discrepancy, or conflict between information on electronic media and that in Contract Documents, notify Architect/Engineer of discrepancy and use information in hard-copy Drawings and Specifications.
  - 2. CAD files do not necessarily represent the latest Contract Documents, existing conditions, and as-built conditions. Receiver is responsible for determining and complying with these conditions and for incorporating addenda and modifications.
  - 3. User is responsible for removing information not normally provided on Shop Drawings and removing references to Contract Documents. Shop Drawings submitted with information associated with other trades or with references to Contract Documents will not be reviewed and will be immediately returned.
  - 4. Receiver shall not hold Architect/Engineer responsible for data or file clean-up required to make files usable, nor for error or malfunction in translation, interpretation, or use of this electronic information.
  - 5. Receiver shall understand that even though Architect/Engineer has computer virus scanning software to detect presence of computer viruses, there is no guarantee that computer viruses are not present in files or in electronic media.
  - 6. Receiver shall not hold Architect/Engineer responsible for such viruses or their consequences, and shall hold Architect/Engineer harmless against costs, losses, or damage caused by presence of computer virus in files or media.
- C. Costs: \$100 per file, plus administrative fee of \$50 per request paid in advance by certified check or money order payable to Architect/Engineer.

## 1.7 SHOP DRAWINGS

- A. Shop Drawings: Action Submittal: Submit to Architect/Engineer for assessing conformance with information given and design concept expressed in Contract Documents.
- B. Indicate special utility and electrical characteristics, utility connection requirements, and location of utility outlets for service for functional equipment and appliances.
- C. When required by individual Specification Sections, provide Shop Drawings signed and sealed by a professional Engineer responsible for designing components shown on Shop Drawings.
  - 1. Include signed and sealed calculations to support design.
  - 2. Submit Shop Drawings and calculations in form suitable for submission to and approval by authorities having jurisdiction.
  - 3. Make revisions and provide additional information when required by authorities having jurisdiction.
- D. Submit in form of one reproducible transparency or as a electronic .pdf.
- E. After review, produce copies and distribute.

## 1.8 SAMPLES

- A. Samples: Action Submittal: Submit to Architect/Engineer for assessing conformance with information given and design concept expressed in Contract Documents.
- B. Samples for Selection as Specified in Product Sections:
  - 1. Submit to Architect/Engineer for aesthetic, color, and finish selection.
  - 2. Submit Samples of finishes, textures, and patterns for Architect/Engineer selection.
- C. Submit Samples to illustrate functional and aesthetic characteristics of products, with integral parts and attachment devices. Coordinate Sample submittals for interfacing work.
- D. Include identification on each Sample, with full Project information.
- E. Submit number of Samples specified in individual Specification Sections; Engineer will retain 2 Sample.
- F. Reviewed Samples that may be used in the Work are indicated in individual Specification Sections.
- G. After review, produce copies and distribute.

## 1.9 DESIGN DATA

- A. Informational Submittal: Submit data for Engineer's knowledge as Contract administrator or for Owner.

- B. Submit information for assessing conformance with information given and design concept expressed in Contract Documents.

#### 1.10 TEST REPORTS

- A. Informational Submittal: Submit reports for Engineer's knowledge as Contract administrator or for Owner.
- B. Submit test reports for information for assessing conformance with information given and design concept expressed in Contract Documents.

#### 1.11 CERTIFICATES

- A. Informational Submittal: Submit certification by manufacturer, installation/application Subcontractor, or Contractor to Engineer, in quantities specified for Product Data.
- B. Indicate material or product conforms to or exceeds specified requirements. Submit supporting reference data, affidavits, and certifications as appropriate.
- C. Certificates may be recent or previous test results on material or product but must be acceptable to Engineer.

#### 1.12 MANUFACTURER'S INSTRUCTIONS

- A. Informational Submittal: Submit manufacturer's installation instructions for Engineer's knowledge as Contract administrator or for Owner.
- B. Submit printed instructions for delivery, storage, assembly, installation, startup, adjusting, and finishing, to Engineer in quantities specified for Product Data.
- C. Indicate special procedures, perimeter conditions requiring special attention, and special environmental criteria required for application or installation.

#### 1.13 MANUFACTURER'S FIELD REPORTS

- A. Informational Submittal: Submit reports for Architect/Engineer's knowledge as Contract administrator or for Owner.
- B. Submit report within 2 days of observation to Engineer for information.
- C. Submit reports for information for assessing conformance with information given and design concept expressed in Contract Documents.

#### 1.14 ERECTION DRAWINGS

- A. N/A

#### 1.15 CONSTRUCTION PHOTOGRAPHS

- A. Provide photographs of site and construction throughout progress of Work produced by an experienced photographer acceptable to Architect/Engineer.
- B. Monthly submit photographs with Application for Payment.
- C. Photographs may be submitted on a disk.
- D. Take photographs as evidence of existing Project conditions as follows:
  - 1. Interior views:
  - 2. Exterior views:
  - 3. Surrounding areas:
- E. Digital Images: Deliver complete set of digital image electronic files on CD-ROM to Owner with Project record documents. Identify electronic media with date photographs were taken. Submit images that have same aspect ratio as sensor, uncropped.
  - 1. Digital Images: Uncompressed TIFF format, produced by digital camera with minimum sensor size of 4.0 megapixels, and image resolution of not less than 1024 by 768 pixels.
  - 2. Date and Time: Include date and time in filename for each image.

#### 1.16 CONTRACTOR REVIEW

- A. Review for compliance with Contract Documents and approve submittals before transmitting to Engineer
- B. Contractor: Responsible for:
  - 1. Determination and verification of materials including manufacturer's catalog numbers.
  - 2. Determination and verification of field measurements and field construction criteria.
  - 3. Checking and coordinating information in submittal with requirements of Work and of Contract Documents.
  - 4. Determination of accuracy and completeness of dimensions and quantities.
  - 5. Confirmation and coordination of dimensions and field conditions at Site.
  - 6. Construction means, techniques, sequences, and procedures.
  - 7. Safety precautions.
  - 8. Coordination and performance of Work of all trades.
- C. Stamp, sign or initial, and date each submittal to certify compliance with requirements of Contract Documents.
- D. Do not fabricate products or begin Work for which submittals are required until approved submittals have been received from Architect/Engineer.

1.17 ENGINEER REVIEW

- A. Do not make "mass submittals" to Engineer. "Mass submittals" are defined as six or more submittals or items in one day or 20 or more submittals or items in one week. If "mass submittals" are received, Engineer's review time stated above will be extended as necessary to perform proper review. Engineer will review "mass submittals" based on priority determined by Engineer after consultation with Owner and Contractor.
- B. Informational submittals and other similar data are for Engineer's information, do not require Engineer's responsive action, and will not be reviewed or returned with comment.
- C. Submittals made by Contractor that are not required by Contract Documents may be returned without action.
- D. Submittal approval does not authorize changes to Contract requirements unless accompanied by Change Order, Field Order, or Work Change Directive.
- E. Owner may withhold monies due to Contractor to cover additional costs beyond the second submittal review.

PART 2 - PRODUCTS - Not Used

PART 3 - EXECUTION - Not Used

END OF SECTION 013300

**This page intentionally left blank.**

## SECTION 014000 - QUALITY REQUIREMENTS

### PART 1 - GENERAL

#### 1.1 SECTION INCLUDES

- A. Quality control.
- B. Tolerances.
- C. References.
- D. Labeling.
- E. Mockup requirements.
- F. Testing and inspection services.
- G. Manufacturers' field services.

#### 1.2 QUALITY CONTROL

- A. Monitor quality control over suppliers, manufacturers, products, services, Site conditions, and workmanship, to produce Work of specified quality.
- B. Comply with specified standards as the minimum quality for the Work except where more stringent tolerances, codes, or specified requirements indicate higher standards or more precise workmanship.
- C. Perform Work using persons qualified to produce required and specified quality.
- D. Supervise performance of Work in such manner and by such means to ensure that Work, whether completed or in progress, will not be subjected to harmful, dangerous, damaging, or otherwise deleterious exposure during construction period.

#### 1.3 TOLERANCES

- A. Monitor fabrication and installation tolerance control of products to produce acceptable Work. Do not permit tolerances to accumulate.
- B. Comply with manufacturers' recommended tolerances and tolerance requirements in reference standards. When such tolerances conflict with Contract Documents, request clarification from Architect/Engineer before proceeding.



#### 1.4 REFERENCES

- A. For products or workmanship specified by association, trade, or other consensus standards, comply with requirements of standard except when more rigid requirements are specified or are required by applicable codes.
- B. Conform to reference standard by date of issue current as of date of Contract Documents except where specific date is established by code.
- C. Obtain copies of standards and maintain on Site when required by product Specification Sections.
- D. When requirements of indicated reference standards conflict with Contract Documents, request clarification from Engineer before proceeding.
- E. Neither contractual relationships, duties, or responsibilities of parties in Contract nor those of Architect/Engineer shall be altered from Contract Documents by mention or inference in reference documents.

#### 1.5 LABELING

- A. Attach label from agency approved by authorities having jurisdiction for products, assemblies, and systems required to be labeled by applicable code.
- B. Label Information: Include manufacturer's or fabricator's identification, approved agency identification, and the following information, as applicable, on each label:
  - 1. Model number.
  - 2. Serial number.
  - 3. Performance characteristics.
- C. Manufacturer's Nameplates, Trademarks, Logos, and Other Identifying Marks on Products: Not allowed on surfaces exposed to view in public areas, interior or exterior.

#### 1.6 MOCK-UP REQUIREMENTS

- A. Tests will be performed under provisions identified in this Section and identified in individual product Specification Sections.
- B. Assemble and erect specified or indicated items with specified or indicated attachment and anchorage devices, flashings, seals, and finishes.
- C. Accepted mockups shall be comparison standard for remaining Work.

#### 1.7 TESTING AND INSPECTION SERVICES

- A. Owner will employ and pay for specified services of an independent firm to perform testing and inspection. (If required)

- B. Independent firm will perform tests, inspections, and other services specified in individual Specification Sections and as required by owner.
  - 1. Laboratory: Authorized to operate in the State of Alabama.
- C. Reports shall be submitted by independent firm to Engineer, Contractor, and authorities having jurisdiction, in Alabama indicating observations and results of tests and compliance or noncompliance with Contract Documents.
- D. Cooperate with independent firm; furnish samples of materials, design mix, equipment, tools, storage, safe access, and assistance by incidental labor as requested.
  - 1. Notify Engineer and independent firm 24 hours before expected time for operations requiring services.
  - 2. Make arrangements with independent firm and pay for additional Samples and tests required for Contractor's use.
- E. Employment of testing agency or laboratory shall not relieve Contractor of obligation to perform Work according to requirements of Contract Documents.
- F. Retesting or re-inspection required because of nonconformance with specified or indicated requirements shall be performed by same independent firm on instructions from Engineer. Payment for retesting or re-inspection will be charged to Contractor by deducting testing charges from Contract Sum/Price.
- G. Agency Responsibilities:
  - 1. Test Samples of mixes submitted by Contractor.
  - 2. Provide qualified personnel at Site. Cooperate with Architect/Engineer and Contractor in performance of services.
  - 3. Perform indicated sampling and testing of products according to specified standards.
  - 4. Ascertain compliance of materials and mixes with requirements of Contract Documents.
  - 5. Promptly notify Architect/Engineer and Contractor of observed irregularities or nonconformance of Work or products.
  - 6. Perform additional tests required by Engineer.
  - 7. Attend preconstruction meetings and progress meetings.
- H. Agency Reports: After each test, promptly submit 2 copies of report to Engineer, Contractor, and authorities having jurisdiction. When requested by Architect/Engineer, provide interpretation of test results.
- I. Limits on Testing Authority:
  - 1. Agency or laboratory may not release, revoke, alter, or enlarge on requirements of Contract Documents.
  - 2. Agency or laboratory may not approve or accept any portion of the Work.
  - 3. Agency or laboratory may not assume duties of Contractor.
  - 4. Agency or laboratory has no authority to stop the Work.

1.8 MANUFACTURER'S FIELD SERVICES

- A. When specified in individual specification Sections, require material or product suppliers or manufacturers to provide qualified staff personnel to observe Site conditions, conditions of surfaces and installation, quality of workmanship, startup of equipment, testing, adjusting, and balancing of equipment, commissioning and misc. other services as applicable, and to initiate instructions when necessary.
- B. Report observations and Site decisions or instructions given to applicators or installers that are supplemental or contrary to manufacturer's written instructions.

PART 2 - PRODUCTS - Not Used

PART 3 - EXECUTION - Not Used

END OF SECTION 014000

## SECTION 014200 - REFERENCES

### PART 1 - GENERAL

#### 1.1 RELATED DOCUMENTS

- A. Drawings and general provisions of the Contract, including General and Supplementary Conditions and other Division 01 Specification Sections, apply to this Section.

#### 1.2 DEFINITIONS

- A. General: Basic Contract definitions are included in the Conditions of the Contract.
- B. "Approved": When used to convey Engineer's action on Contractor's submittals, applications, and requests, "approved" is limited to Engineer's duties and responsibilities as stated in the Conditions of the Contract.
- C. "Directed": A command or instruction by Engineer. Other terms including "requested," "authorized," "selected," "required," and "permitted" have the same meaning as "directed."
- D. "Indicated": Requirements expressed by graphic representations or in written form on Drawings, in Specifications, and in other Contract Documents. Other terms including "shown," "noted," "scheduled," and "specified" have the same meaning as "indicated."
- E. "Regulations": Laws, ordinances, statutes, and lawful orders issued by authorities having jurisdiction, and rules, conventions, and agreements within the construction industry that control performance of the Work.
- F. "Furnish": Supply and deliver to Project site, ready for unloading, unpacking, assembly, installation, and similar operations.
- G. "Install": Operations at Project site including unloading, temporarily storing, unpacking, assembling, erecting, placing, anchoring, applying, working to dimension, finishing, curing, protecting, cleaning, and similar operations.
- H. "Provide": Furnish and install, complete and ready for the intended use.
- I. "Project Site": Space available for performing construction activities. The extent of Project site is shown on Drawings and may or may not be identical with the description of the land on which Project is to be built.

#### 1.3 INDUSTRY STANDARDS

- A. Applicability of Standards: Unless the Contract Documents include more stringent requirements, applicable construction industry standards have the same force and effect as if

bound or copied directly into the Contract Documents to the extent referenced. Such standards are made a part of the Contract Documents by reference.

- B. Publication Dates: Comply with standards in effect as of date of the Contract Documents unless otherwise indicated.
- C. Copies of Standards: Each entity engaged in construction on Project should be familiar with industry standards applicable to its construction activity. Copies of applicable standards are not bound with the Contract Documents.
  - 1. Where copies of standards are needed to perform a required construction activity, obtain copies directly from publication source.

#### 1.4 ABBREVIATIONS AND ACRONYMS

- A. Industry Organizations: Where abbreviations and acronyms are used in Specifications or other Contract Documents, they shall mean the recognized name of the entities indicated in Thomson Gale's "Encyclopedia of Associations" or in Columbia Books' "National Trade & Professional Associations of the U.S."
- B. Industry Organizations: Where abbreviations and acronyms are used in Specifications or other Contract Documents, they shall mean the recognized name of the entities in the following list. Names, telephone numbers, and Web sites are subject to change and are believed to be accurate and up-to-date as of the date of the Contract Documents.

AA	Aluminum Association (The) www.aluminum.org	(703) 358-2960
AABC	Associated Air Balance Council www.aabchq.com	(202) 737-0202
AAMA	American Architectural Manufacturers Association www.aamanet.org	(847) 303-5664
AASHTO	American Association of State Highway and Transportation Officials www.transportation.org	(202) 624-5800
AATCC	American Association of Textile Chemists and Colorists www.aatcc.org	(919) 549-8141
ABAA	Air Barrier Association of America www.airbarrier.org	(866) 956-5888
ABMA	American Bearing Manufacturers Association www.abma-dc.org	(202) 367-1155
ACI	American Concrete Institute www.concrete.org	(248) 848-3700

ACPA	American Concrete Pipe Association www.concrete-pipe.org	(972) 506-7216
AEIC	Association of Edison Illuminating Companies, Inc. (The) www.aeic.org	(205) 257-2530
AF&PA	American Forest & Paper Association www.afandpa.org	(800) 878-8878 (202) 463-2700
AGA	American Gas Association www.aga.org	(202) 824-7000
AHAM	Association of Home Appliance Manufacturers www.aham.org	(202) 872-5955
AHRI	Air-Conditioning, Heating, and Refrigeration Institute, The www.ahrinet.org	(703) 524-8800
AI	Asphalt Institute www.asphaltinstitute.org	(859) 288-4960
AIA	American Institute of Architects (The) www.aia.org	(800) 242-3837 (202) 626-7300
AISC	American Institute of Steel Construction www.aisc.org	(800) 644-2400 (312) 670-2400
AISI	American Iron and Steel Institute www.steel.org	(202) 452-7100
AITC	American Institute of Timber Construction www.aitc-glulam.org	(303) 792-9559
ALSC	American Lumber Standard Committee, Incorporated www.alsc.org	(301) 972-1700
AMCA	Air Movement and Control Association International, Inc. www.amca.org	(847) 394-0150
ANSI	American National Standards Institute www.ansi.org	(202) 293-8020
AOSA	Association of Official Seed Analysts, Inc. www.aosaseed.com	(405) 780-7372
APA	APA - The Engineered Wood Association www.apawood.org	(253) 565-6600
APA	Architectural Precast Association www.archprecast.org	(239) 454-6989

API	American Petroleum Institute www.api.org	(202) 682-8000
ARI	Air-Conditioning & Refrigeration Institute www.ari.org	(703) 524-8800
ARMA	Asphalt Roofing Manufacturers Association www.asphaltroofing.org	(202) 207-0917
ASCE	American Society of Civil Engineers www.asce.org	(800) 548-2723 (703) 295-6300
ASCE/SEI	American Society of Civil Engineers/Structural Engineering Institute (See ASCE)	
ASHRAE	American Society of Heating, Refrigerating and Air- Conditioning Engineers www.ashrae.org	(800) 527-4723 (404) 636-8400
ASME	ASME International (American Society of Mechanical Engineers International) www.asme.org	(800) 843-2763 (973) 882-1170
ASSE	American Society of Sanitary Engineering www.asse-plumbing.org	(440) 835-3040
ASTM	ASTM International (American Society for Testing and Materials International) www.astm.org	(610) 832-9500
ATIS	Alliance for Telecommunications Industry Solutions www.atis.org	(202) 628-6380
AWCMA	American Window Covering Manufacturers Association (Now WCMA)	
AWCI	Association of the Wall and Ceiling Industry www.awci.org	(703) 534-8300
AWI	Architectural Woodwork Institute www.awinet.org	(571) 323-3636
AWPA	American Wood Protection Association (Formerly: American Wood Preservers' Association) www.awpa.com	(205) 733-4077
AWS	American Welding Society www.aws.org	(800) 443-9353 (305) 443-9353

AWWA	American Water Works Association www.awwa.org	(800) 926-7337 (303) 794-7711
BHMA	Builders Hardware Manufacturers Association www.buildershardware.com	(212) 297-2122
BIA	Brick Industry Association (The) www.bia.org	(703) 620-0010
BICSI	BICSI, Inc. www.bicsi.org	(800) 242-7405 (813) 979-1991
BIFMA	BIFMA International (Business and Institutional Furniture Manufacturer's Association International) www.bifma.com	(616) 285-3963
BISSC	Baking Industry Sanitation Standards Committee www.bissc.org	(866) 342-4772
CCC	Carpet Cushion Council www.carpetcushion.org	(610) 527-3880
CDA	Copper Development Association www.copper.org	(800) 232-3282 (212) 251-7200
CEA	Canadian Electricity Association www.canelect.ca	(613) 230-9263
CEA	Consumer Electronics Association www.ce.org	(866) 858-1555 (703) 907-7600
CFFA	Chemical Fabrics & Film Association, Inc. www.chemicalfabricsandfilm.com	(216) 241-7333
CGA	Compressed Gas Association www.cganet.com	(703) 788-2700
CIMA	Cellulose Insulation Manufacturers Association www.cellulose.org	(888) 881-2462 (937) 222-2462
CISCA	Ceilings & Interior Systems Construction Association www.cisca.org	(630) 584-1919
CISPI	Cast Iron Soil Pipe Institute www.cispi.org	(423) 892-0137
CLFMI	Chain Link Fence Manufacturers Institute www.chainlinkinfo.org	(301) 596-2583



CPA	Composite Panel Association www.pbmdf.com	(703) 724-1128
CRI	Carpet and Rug Institute (The) www.carpet-rug.com	(800) 882-8846 (706) 278-3176
CRRC	Cool Roof Rating Council www.coolroofs.org	(866) 465-2523 (510) 485-7175
CRSI	Concrete Reinforcing Steel Institute www.crsi.org	(847) 517-1200 (800) 328-6306
CRRC	Cool Roof Rating Council www.coolroofs.org	(866) 465-2523 (510) 485-7175
CSA	Canadian Standards Association www.csa.ca	(800) 463-6727 (416) 747-4000
CSA	CSA International (Formerly: IAS - International Approval Services) www.csa-international.org	(866) 797-4272 (416) 747-4000
CSI	Construction Specifications Institute (The) www.csinet.org	(800) 689-2900 (703) 684-0300
CSSB	Cedar Shake & Shingle Bureau www.cedarbureau.org	(604) 820-7700
CTI	Cooling Technology Institute (Formerly: Cooling Tower Institute) www.cti.org	(281) 583-4087
DHI	Door and Hardware Institute www.dhi.org	(703) 222-2010
ECA	Electrical Components Association www.ec-central.org	(703)907-8024
EIA	Electronic Industries Alliance www.eia.org	(703) 907-7500
EIMA	EIFS Industry Members Association www.eima.com	(800) 294-3462 (770) 968-7945
EJCDC	Engineers Joint Contract Documents Committee <a href="http://content.asce.org/ejcdc/">http://content.asce.org/ejcdc/</a>	(703) 295-6000
EJMA	Expansion Joint Manufacturers Association, Inc. www.ejma.org	(914) 332-0040

ESD	ESD Association (Electrostatic Discharge Association) www.esda.org	(315) 339-6937
ETL SEMCO	Intertek ETL SEMCO (Formerly: ITS - Intertek Testing Service NA) www.intertek-ctlsemko.com	(800) 967-5352
FIBA	Federation Internationale de Basketball (The International Basketball Federation) www.fiba.com	41 22 545 00 00
FIVB	Federation Internationale de Volleyball (The International Volleyball Federation) www.fivb.ch	41 21 345 35 35
FM Approvals	FM Approvals LLC www.fmglobal.com	(781) 762-4300
FM Global	FM Global (Formerly: FMG - FM Global) www.fmglobal.com	(401) 275-3000
FRSA	Florida Roofing, Sheet Metal & Air Conditioning Contractors Association, Inc. www.floridarroof.com	(407) 671-3772
FSA	Fluid Sealing Association www.fluidsealing.com	(610) 971-4850
FSC	Forest Stewardship Council www.fsc.org	49 228 367 66 0
GA	Gypsum Association www.gypsum.org	(301) 277-8686
GANA	Glass Association of North America www.glasswebsite.com	(785) 271-0208
GRI	(Part of GSI)	
GS	Green Seal www.greenseal.org	(202) 872-6400
GSI	Geosynthetic Institute www.geosynthetic-institute.org	(610) 522-8440
HI	Hydronics Institute www.gamanet.org	(908) 464-8200

HI/GAMA	Hydronics Institute/Gas Appliance Manufacturers Association Division of Air-Conditioning, Heating, and Refrigeration Institute (AHRI) www.ahrinet.org	(908) 464-8200
HMMA	Hollow Metal Manufacturers Association (Part of NAAMM)	
HPVA	Hardwood Plywood & Veneer Association www.hpva.org	(703) 435-2900
HPW	H. P. White Laboratory, Inc. www.hpwhite.com	(410) 838-6550
IAPSC	International Association of Professional Security Consultants www.iapsc.org	(515) 282-8192
ICBO	International Conference of Building Officials www.iccsafe.org	(888) 422-7233
ICEA	Insulated Cable Engineers Association, Inc. www.icea.net	(770) 830-0369
ICRI	International Concrete Repair Institute, Inc. www.icri.org	(847) 827-0830
ICPA	International Cast Polymer Association www.icpa-hq.org	(703) 525-0320
IEC	International Electrotechnical Commission www.iec.ch	41 22 919 02 11
IEEE	Institute of Electrical and Electronics Engineers, Inc. (The) www.ieee.org	(212) 419-7900
IES	Illuminating Engineering Society of North America www.iesna.org	(703) 525-0320
IEST	Institute of Environmental Sciences and Technology www.iest.org	(847) 255-1561
IGMA	Insulating Glass Manufacturers Alliance www.igmaonline.org	(613) 233-1510
ILI	Indiana Limestone Institute of America, Inc. www.iliai.com	(812) 275-4426
ISA	Instrumentation, Systems, and Automation Society, The	(919) 549-8411

	www.isa.org	
ISO	International Organization for Standardization www.iso.ch	41 22 749 01 11
ISSFA	International Solid Surface Fabricators Association www.issfa.net	(877) 464-7732 (801) 341-7360
ITS	Intertek Testing Service NA (Now ETL SEMCO)	
ITU	International Telecommunication Union www.itu.int/home	41 22 730 51 11
KCMA	Kitchen Cabinet Manufacturers Association www.kcma.org	(703) 264-1690
LGSEA	Light Gauge Steel Engineers Association www.arcat.com	(202) 263-4488
LMA	Laminating Materials Association (Now part of CPA)	
LPI	Lightning Protection Institute www.lightning.org	(800) 488-6864
MBMA	Metal Building Manufacturers Association www.mbma.com	(216) 241-7333
MCA	Metal Construction Association www.metalconstruction.org	(847) 375-4718
MFMA	Maple Flooring Manufacturers Association, Inc. www.maplefloor.org	(888) 480-9138
MFMA	Metal Framing Manufacturers Association, Inc. www.metalframingmfg.org	(312) 644-6610
MH	Material Handling (Now MHIA)	
MHIA	Material Handling Industry of America www.mhia.org	(800) 345-1815 (704) 676-1190
MIA	Marble Institute of America www.marble-institute.com	(440) 250-9222
MPI	Master Painters Institute www.paintinfo.com	(888) 674-8937 (604) 298-7578

MSS	Manufacturers Standardization Society of The Valve and Fittings Industry Inc. www.mss-hq.com	(703) 281-6613
NAAMM	National Association of Architectural Metal Manufacturers www.naamm.org	(630) 942-6591
NACE	NACE International (National Association of Corrosion Engineers International) www.nace.org	(800) 797-6223 (281) 228-6200
NADCA	National Air Duct Cleaners Association www.nadca.com	(202) 737-2926
NAGWS	National Association for Girls and Women in Sport  www.aahperd.org/nagws/	(800) 213-7193, ext. 453
NAIMA	North American Insulation Manufacturers Association www.naima.org	(703) 684-0084
NBGQA	National Building Granite Quarries Association, Inc. www.nbgqa.com	(800) 557-2848
NCAA	National Collegiate Athletic Association (The) www.ncaa.org	(317) 917-6222
NCMA	National Concrete Masonry Association www.ncma.org	(703) 713-1900
NCTA	National Cable & Telecommunications Association www.ncta.com	(202) 222-2300
NEBB	National Environmental Balancing Bureau www.nebb.org	(301) 977-3698
NECA	National Electrical Contractors Association www.necanet.org	(301) 657-3110
NeLMA	Northeastern Lumber Manufacturers' Association www.nelma.org	(207) 829-6901
NEMA	National Electrical Manufacturers Association www.nema.org	(703) 841-3200
NETA	InterNational Electrical Testing Association www.netaworld.org	(888) 300-6382 (269) 488-6382
NFHS	National Federation of State High School Associations www.nfhs.org	(317) 972-6900

NFPA	NFPA (National Fire Protection Association) www.nfpa.org	(800) 344-3555 (617) 770-3000
NFRC	National Fenestration Rating Council www.nfrc.org	(301) 589-1776
NGA	National Glass Association www.glass.org	(866) 342-5642 (703) 442-4890
NHLA	National Hardwood Lumber Association www.natlhardwood.org	(800) 933-0318 (901) 377-1818
NLGA	National Lumber Grades Authority www.nlga.org	(604) 524-2393
NOFMA	NOFMA: The Wood Flooring Manufacturers Association (Formerly: National Oak Flooring Manufacturers Association) www.nofma.org	(901) 526-5016
NOMMA	National Ornamental & Miscellaneous Metals Association www.nomma.org	(888) 516-8585
NRCA	National Roofing Contractors Association www.nrca.net	(800) 323-9545 (847) 299-9070
NRMCA	National Ready Mixed Concrete Association www.nrmca.org	(888) 846-7622 (301) 587-1400
NSF	NSF International (National Sanitation Foundation International) www.nsf.org	(800) 673-6275 (734) 769-8010
NSSGA	National Stone, Sand & Gravel Association www.nssga.org	(800) 342-1415 (703) 525-8788
NTMA	National Terrazzo & Mosaic Association, Inc. (The) www.ntma.com	(800) 323-9736 (540) 751-0930
NWFA	National Wood Flooring Association www.nwfa.org	(800) 422-4556 (636) 519-9663
PCI	Precast/Prestressed Concrete Institute www.pci.org	(312) 786-0300
PDI	Plumbing & Drainage Institute www.pdionline.org	(800) 589-8956 (978) 557-0720

PGI	PVC Geomembrane Institute <a href="http://pgi-tp.cce.uiuc.edu">http://pgi-tp.cce.uiuc.edu</a>	(217) 333-3929
PTI	Post-Tensioning Institute <a href="http://www.post-tensioning.org">www.post-tensioning.org</a>	(248) 848-3180
RCSC	Research Council on Structural Connections <a href="http://www.boltcouncil.org">www.boltcouncil.org</a>	
RFCI	Resilient Floor Covering Institute <a href="http://www.rfci.com">www.rfci.com</a>	(706) 882-3833
RIS	Redwood Inspection Service <a href="http://www.redwoodinspection.com">www.redwoodinspection.com</a>	(925) 935-1499
SAE	SAE International <a href="http://www.sae.org">www.sae.org</a>	(877) 606-7323 (724) 776-4841
SCAQMD	South Coast Air Quality Management District <a href="http://www.aqmd.com">www.aqmd.com</a>	(909) 396-2000
SCTE	Society of Cable Telecommunications Engineers <a href="http://www.scte.org">www.scte.org</a>	(800) 542-5040 (610) 363-6888
SDI	Steel Deck Institute <a href="http://www.sdi.org">www.sdi.org</a>	(847) 458-4647
SDI	Steel Door Institute <a href="http://www.steeldoor.org">www.steeldoor.org</a>	(440) 899-0010
SEFA	Scientific Equipment and Furniture Association <a href="http://www.sefalabs.com">www.sefalabs.com</a>	(877) 294-5424 (516) 294-5424
SEI/ASCE	Structural Engineering Institute/American Society of Civil Engineers (See ASCE)	
SIA	Security Industry Association <a href="http://www.siaonline.org">www.siaonline.org</a>	(866) 817-8888 (703) 683-2075
SJI	Steel Joist Institute <a href="http://www.steeljoist.org">www.steeljoist.org</a>	(843) 626-1995
SMA	Screen Manufacturers Association <a href="http://www.smacentral.org">www.smacentral.org</a>	(561) 533-0991
SMACNA	Sheet Metal and Air Conditioning Contractors' National Association <a href="http://www.smacna.org">www.smacna.org</a>	(703) 803-2980

SMPTE	Society of Motion Picture and Television Engineers www.smpte.org	(914) 761-1100
SPFA	Spray Polyurethane Foam Alliance (Formerly: SPI/SPFD - The Society of the Plastics Industry, Inc.; Spray Polyurethane Foam Division) www.sprayfoam.org	(800) 523-6154
SPIB	Southern Pine Inspection Bureau (The) www.spib.org	(850) 434-2611
SPRI	Single Ply Roofing Industry www.spri.org	(781) 647-7026
SSINA	Specialty Steel Industry of North America www.ssina.com	(800) 982-0355 (202) 342-8630
SSPC	SSPC: The Society for Protective Coatings www.sspc.org	(877) 281-7772 (412) 281-2331
STI	Steel Tank Institute www.steeltank.com	(847) 438-8265
SWI	Steel Window Institute www.steelwindows.com	(216) 241-7333
SWPA	Submersible Wastewater Pump Association www.swpa.org	(847) 681-1868
TCA	Tilt-Up Concrete Association www.tilt-up.org	(319) 895-6911
TCNA	Tile Council of North America, Inc. www.tileusa.com	(864) 646-8453
TEMA	Tubular Exchanger Manufacturers Association www.tema.org	(914) 332-0040
TIA/EIA	Telecommunications Industry Association/Electronic Industries Alliance www.tiaonline.org	(703) 907-7700
TMS	The Masonry Society www.masonrysociety.org	(303) 939-9700
TPI	Truss Plate Institute, Inc. www.tpinst.org	(703) 683-1010
TPI	Turfgrass Producers International www.turfgrasssod.org	(800) 405-8873 (847) 649-5555



TRI	Tile Roofing Institute www.tilerroofing.org	(312) 670-4177
UL	Underwriters Laboratories Inc. www.ul.com	(877) 854-3577 (847) 272-8800
UNI	Uni-Bell PVC Pipe Association www.uni-bell.org	(972) 243-3902
USAV	USA Volleyball www.usavolleyball.org	(888) 786-5539 (719) 228-6800
USGBC	U.S. Green Building Council www.usgbc.org	(800) 795-1747
USITT	United States Institute for Theatre Technology, Inc. www.usitt.org	(800) 938-7488 (315) 463-6463
WASTEC	Waste Equipment Technology Association www.wastec.org	(800) 424-2869 (202) 244-4700
WCLIB	West Coast Lumber Inspection Bureau www.wclib.org	(800) 283-1486 (503) 639-0651
WCMA	Window Covering Manufacturers Association www.wcmanet.org	(212) 297-2122
WDMA	Window & Door Manufacturers Association (Formerly: NWWDA - National Wood Window and Door Association) www.wdma.com	(800) 223-2301 (312) 321-6802
WI	Woodwork Institute (Formerly: WIC - Woodwork Institute of California) www.wicnet.org	(916) 372-9943
WMMPA	Wood Moulding & Millwork Producers Association www.wmmpa.com	(800) 550-7889 (530) 661-9591
WSRCA	Western States Roofing Contractors Association www.wsrca.com	(800) 725-0333 (650) 570-5441
WWPA	Western Wood Products Association www.wwpa.org	(503) 224-3930

- C. Code Agencies: Where abbreviations and acronyms are used in Specifications or other Contract Documents, they shall mean the recognized name of the entities in the following list. Names, telephone numbers, and Web sites are subject to change and are believed to be accurate and up-to-date as of the date of the Contract Documents.

DIN	Deutsches Institut für Normung e.V. www.din.de	49 30 2601-0
IAPMO	International Association of Plumbing and Mechanical Officials www.iapmo.org	(909) 472-4100
ICC	International Code Council www.iccsafe.org	(888) 422-7233
ICC-ES	ICC Evaluation Service, Inc. www.icc-es.org	(800) 423-6587 (562) 699-0543

D. Federal Government Agencies: Where abbreviations and acronyms are used in Specifications or other Contract Documents, they shall mean the recognized name of the entities in the following list. Names, telephone numbers, and Web sites are subject to change and are believed to be accurate and up-to-date as of the date of the Contract Documents.

COE	Army Corps of Engineers www.usace.army.mil	(202) 761-0011
CPSC	Consumer Product Safety Commission www.cpsc.gov	(800) 638-2772 (301) 504-7923
DOC	Department of Commerce www.commerce.gov	(202) 482-2000
DOD	Department of Defense http://dodssp.daps.dla.mil	(215) 697-6257
DOE	Department of Energy www.energy.gov	(202) 586-9220
EPA	Environmental Protection Agency www.epa.gov	(202) 272-0167
FAA	Federal Aviation Administration www.faa.gov	(866) 835-5322
FCC	Federal Communications Commission www.fcc.gov	(888) 225-5322
FDA	Food and Drug Administration www.fda.gov	(888) 463-6332
GSA	General Services Administration www.gsa.gov	(800) 488-3111
HUD	Department of Housing and Urban Development	(202) 708-1112

www.hud.gov

LBL	Lawrence Berkeley National Laboratory www.lbl.gov	(510) 486-4000
NCHRP	National Cooperative Highway Research Program (See TRB)	
NIST	National Institute of Standards and Technology www.nist.gov	(301) 975-6478
OSHA	Occupational Safety & Health Administration www.osha.gov	(800) 321-6742 (202) 693-1999
PBS	Public Buildings Service (See GSA)	
PHS	Office of Public Health and Science <a href="http://www.hhs.gov/ophs/">http://www.hhs.gov/ophs/</a>	(202) 690-7694
RUS	Rural Utilities Service (See USDA)	(202) 720-9540
SD	State Department www.state.gov	(202) 647-4000
TRB	Transportation Research Board <a href="http://gulliver.trb.org">http://gulliver.trb.org</a>	(202) 334-2934
USDA	Department of Agriculture www.usda.gov	(202) 720-2791
USP	U.S. Pharmacopeia www.usp.org	(800) 227-8772
USPS	Postal Service www.usps.com	(202) 268-2000

E. Standards and Regulations: Where abbreviations and acronyms are used in Specifications or other Contract Documents, they shall mean the recognized name of the standards and regulations in the following list. Names, telephone numbers, and Web sites are subject to change and are believed to be accurate and up-to-date as of the date of the Contract Documents.

ADAAG	Americans with Disabilities Act (ADA)	(800) 872-2253
	Architectural Barriers Act (ABA)	(202) 272-0080
	Accessibility Guidelines for Buildings and Facilities Available from U.S. Access Board www.access-board.gov	



[www.access-board.gov](http://www.access-board.gov)

- F. State Government Agencies: Where abbreviations and acronyms are used in Specifications or other Contract Documents, they shall mean the recognized name of the entities in the following list. Names, telephone numbers, and Web sites are subject to change and are believed to be accurate and up-to-date as of the date of the Contract Documents.

CBHF	State of California, Department of Consumer Affairs Bureau of Home Furnishings and Thermal Insulation <a href="http://www.dca.ca.gov/bhfti">www.dca.ca.gov/bhfti</a>	(800) 952-5210 (916) 574-2041
CCR	California Code of Regulations  <a href="http://www.calregs.com">www.calregs.com</a>	(916) 323-6815
CDHS	California Department of Health Services  <a href="http://www.dhcs.ca.gov">www.dhcs.ca.gov</a>	(916) 445-4171
CDPH	California Department of Public Health, Indoor Air Quality Section <a href="http://www.cal-iaq.org">www.cal-iaq.org</a>	
CPUC	California Public Utilities Commission  <a href="http://www.cpuc.ca.gov">www.cpuc.ca.gov</a>	(415) 703-2782
TFS	Texas Forest Service Forest Resource Development  <a href="http://txforests-service.tamu.edu">http://txforests-service.tamu.edu</a>	(979) 458-6606

PART 2 - PRODUCTS (Not Used)

PART 3 - EXECUTION (Not Used)

END OF SECTION 014200

## SECTION 014500 - UNCOVERING AND CORRECTION OF WORK

### PART 1 - GENERAL

#### 1.1 RELATED DOCUMENTS

- A. Drawings and general provisions of the Contract, including General and Supplementary Conditions and other Division 1 Specification Sections, apply to this Section.

#### 1.2 SUMMARY

- A. This section specifies the requirements for uncovering and correction of work.

#### 1.3 UNCOVERING OF WORK

- A. If the Contract Documents, laws, ordinances, rules, regulations or orders of any Public Authority having jurisdiction require any portion of the Work to be inspected, the Contractor shall give the Engineer timely notice of its readiness so that the Engineer may observe such inspections.
- B. If a portion of the Work is covered contrary to the Engineer's request or to requirements specifically expressed in the Contract Documents, it must, if required in writing by the Engineer, be uncovered for the Engineer's observation and be replaced at the Contractor's expense without change in the Contract Time.
- C. If a portion of the Work has been covered which the Engineer has not specifically requested to observe prior to its being covered, the Engineer may request to see such Work and it shall be uncovered by the Contractor.
  - 1. If such Work is in accordance with Contract Documents, costs of uncovering and replacement shall, by appropriate Change Order, be charged to the Owner.
  - 2. If such Work is not in accordance with Contract Documents, the Contractor shall pay such costs unless the condition was caused by the Owner or a separate contractor in which event the Owner shall be responsible for payment of such costs.

#### 1.4 CORRECTION OF WORK

- A. The Contractor shall promptly correct the Work rejected by the Engineer or failing to conform to the requirements of the Contract Documents, whether observed before or after Substantial Completion and whether or not fabricated, installed or completed.
- B.
  - 1. Costs of correcting such rejected Work, including additional testing, inspections, and compensation for the Engineer's services and expenses made necessary thereby, shall be at the Contractor's expense.
- C. The quality of materials and workmanship used in restoring this work shall be in full compliance with the requirements of the Contract Documents.

**PART 2 - PRODUCTS (Not Used)**

**PART 3 - EXECUTION (Not Used)**

END OF SECTION 014500

## SECTION 015000 - TEMPORARY FACILITIES AND CONTROLS

### PART 1 - GENERAL

#### 1.1 SECTION INCLUDES

A. Temporary facilities under Construction Management Agreement.

B. Temporary Utilities:

1. Temporary electricity.
2. Temporary lighting for construction purposes.
3. Temporary heating.
4. Temporary cooling.
5. Temporary ventilation.
6. Communication services.
7. Temporary water service.
8. Temporary sanitary facilities.

C. Construction Facilities:

1. Field offices and sheds.
2. Vehicular access.
3. Parking.
4. Progress cleaning and waste removal.
5. Project identification.
6. Traffic regulation.
7. Fire-prevention facilities.

D. Temporary Controls:

1. Barriers.
2. Enclosures and fencing.
3. Security.
4. Water control.
5. Dust control.
6. Erosion and sediment control.
7. Noise control.
8. Pest and rodent control.
9. Pollution control.

E. Removal of utilities, facilities, and controls.

#### 1.2 TEMPORARY FACILITIES UNDER CONSTRUCTION MANAGEMENT AGREEMENT

A. Temporary Provisions Provided by Construction Manager:



1. Temporary barriers, barricades, covered walkways, fencing, exterior closures, and interior closures.
2. Temporary field offices.
3. Cleaning during construction.
4. Access roads and approaches.
5. Temporary elevator.
6. Temporary sanitary facilities.
7. Temporary heating and ventilating after enclosure.
8. Temporary electrical service and distribution system for power and lighting.
9. Temporary telephone and internet service.

B. Each Contractor: Coordinate provisions with Construction Manager and provide the following items as necessary for execution of the Work including associated costs:

1. Construction aids.
2. Temporary fire protection, dust control, erosion and sediment control, water control, noise control, and other necessary temporary controls.
3. Temporary barriers, barricades, and similar devices as necessary for safety and protection of construction personnel and public.
4. On Construction Manager's approval, may provide temporary field office including electrical service and temporary telephone.
5. Temporary tree and plant protection.
6. Temporary heating before building enclosure.
7. Electrical service required in addition to temporary service and distribution provided by Construction Manager.
8. Temporary provisions for protection of installed Work.

### 1.3 TEMPORARY ELECTRICITY

- A. Provide and pay for power service required from source as needed for construction operation.
- B. Do not disrupt Owner's use of service.
- C. Permanent convenience receptacles may be used during construction.

### 1.4 TEMPORARY LIGHTING FOR CONSTRUCTION PURPOSES

- A. Provide and maintain lighting for construction operations.

### 1.5 TEMPORARY HEATING

- A. Provide and pay for heating devices and heat as needed to maintain specified conditions for construction operations.

1.6 TEMPORARY COOLING

- A. Provide and pay for cooling devices and cooling as needed to maintain specified conditions for construction operations.

1.7 COMMUNICATION SERVICES

- A. Telephone Service: Provide, maintain, and pay for telephone service to field office at time of Project mobilization and until completion of Work.
- B. Facsimile Service: Provide, maintain, and pay for facsimile service including dedicated telephone line to field office at time of Project mobilization and until completion of Work.
- C. Internet Service: Provide, maintain, and pay for broadband Internet service to field office at time of Project mobilization. Provide desktop computer with Microsoft operating system and appropriate office function software, modem, and printer.

1.8 TEMPORARY WATER SERVICE

- A. Provide and pay for suitable quality water service as needed to maintain specified conditions for construction operations.

1.9 TEMPORARY SANITARY FACILITIES

- A. Provide and maintain required facilities and enclosures. Existing facility use is not permitted. Provide facilities at time of Project mobilization.

1.10 FIELD OFFICES AND SHEDS

Resident Project Representative (RPR) Field Office: 12' x 40' Weathertight, with two offices, bathroom, lighting, electrical outlets, heating, cooling and ventilating equipment, and equipped with sturdy furniture including conference table, [drawing rack,] filing cabinets, two (2) 8' tables and drawing display table.

- A. Provide space for Project meetings in RPR Field Office, with table and chairs to accommodate ten (10) persons.

1.11 VEHICULAR ACCESS

- A. Locate as indicated on Drawings approved by Engineer and approved by Owner.

1.12 PARKING

- A. Provide temporary gravel surface parking areas to accommodate construction personnel.

- B. Locate as indicated on Drawings approved by Engineer and approved by Owner.
- C. Maintenance:
  - 1. Maintain traffic and parking areas in sound condition free of excavated material, construction equipment, products, mud, snow, ice, and the like.
  - 2. Maintain existing and permanent paved areas used for construction; promptly repair breaks, potholes, low areas, standing water, and other deficiencies, to maintain paving and drainage in original condition.
- D. Removal, Repair:
  - 1. Remove temporary materials and construction before Substantial Completion.
  - 2. Repair existing facilities damaged by use, to original condition.

#### 1.13 PROGRESS CLEANING AND WASTE REMOVAL

- A. Maintain areas free of waste materials, debris, and rubbish. Maintain Site in clean and orderly condition.
- B. Remove debris and rubbish from pipe chases, plenums, attics, crawl spaces, and other closed or remote spaces, before enclosing spaces.
- C. Broom and vacuum clean interior areas before starting surface finishing, and continue cleaning to eliminate dust.
- D. Collect and remove waste materials, debris, and rubbish from Site weekly and dispose of off-Site.

#### 1.14 PROJECT IDENTIFICATION

- A. Project Identification Sign:
  - 1. **One** painted sign of construction, design, and content shown on Drawings, location designated.
  - 2. Content:
    - a. Project [**number,**] title, [**logo,**] and name of Owner.
    - b. Names and titles of authorities.
    - c. Names and titles of Engineer.
    - d. Name of Prime Contractor.
  - 3. Graphic Design, Colors, and Style of Lettering: Designated by Engineer.
- B. Removal: Remove signs, framing, supports, and foundations at completion of Project and restore area.

## 1.15 TRAFFIC REGULATION

### A. Signs, Signals, and Devices:

1. Post-Mounted and Wall-Mounted Traffic Control and Informational Signs: As approved by authorities having jurisdiction.
2. Traffic Control Signals: As approved by local jurisdictions.
3. Traffic Cones, Drums, Flares, and Lights: As approved by authorities having jurisdiction.
4. Flag Person Equipment: As required by authorities having jurisdiction.

### B. Flag Persons: Provide trained and equipped flag persons to regulate traffic when construction operations or traffic encroach on public traffic lanes.

### C. Flares and Lights: Use flares and lights during hours of low visibility to delineate traffic lanes and to guide traffic.

### D. Haul Routes:

1. Consult with authorities having jurisdiction and establish public thoroughfares to be used for haul routes and Site access.
2. Confine construction traffic to designated haul routes.
3. Provide traffic control at critical areas of haul routes to regulate traffic and to minimize interference with public traffic.

### E. Traffic Signs and Signals:

1. Provide signs at approaches to Site and on Site, at crossroads, detours, parking areas, and elsewhere as needed to direct construction and affected public traffic.
2. Provide, operate, and maintain traffic control signals to direct and maintain orderly flow of traffic in areas under Contractor's control and areas affected by Contractor's operations.
3. Relocate signs and signals as Work progresses, to maintain effective traffic control.

### F. Removal:

1. Remove equipment and devices at Substantial Completion.
2. Repair damage caused by installation.
3. Remove post settings to depth of (2) feet.

## 1.16 FIRE-PREVENTION FACILITIES

### A. Prohibit smoking within buildings. Designate area on Site where smoking is permitted. Provide approved ashtrays in designated smoking areas.

### B. Establish fire watch for cutting, welding, and other hazardous operations capable of starting fires. Maintain fire watch before, during, and after hazardous operations until threat of fire does not exist.

### C. Portable Fire Extinguishers: NFPA 10; 10-pound capacity, 4A-60B: C UL rating.

1. Provide one fire extinguisher at each stairway on each floor of buildings under construction.
2. Provide minimum of one fire extinguisher in every construction trailer and storage shed.
3. Provide minimum of one fire extinguisher on roof during roofing operations using heat-producing equipment.

#### 1.17 BARRIERS

- A. Provide barriers to prevent unauthorized entry to construction areas to allow for Owner's use of Site, and to protect existing facilities and adjacent properties from damage from construction operations.

#### 1.18 ENCLOSURES AND FENCING

- A. Construction: Commercial-grade chain-link fence
- B. Provide 6 foot high fence around construction Site; equip with vehicular [**and pedestrian**] gates with locks.

#### 1.19 SECURITY

- A. Security Program:
  1. Protect Work on existing premises from theft, vandalism, and unauthorized entry.

#### 1.20 WATER CONTROL

- A. Grade Site to drain. Maintain excavations free of water. Provide, operate, and maintain necessary pumping equipment.
- B. Protect Site from puddles or running water. Provide water barriers as required to protect Site from soil erosion.

#### 1.21 DUST CONTROL

- A. Execute Work by methods that minimize raising dust from construction operations.
- B. Provide positive means to prevent airborne dust from dispersing into atmosphere.

#### 1.22 EROSION AND SEDIMENT CONTROL

- A. Plan and execute construction by methods to control surface drainage from cuts and fills from borrow and waste disposal areas. Prevent erosion and sedimentation.

- B. Provide temporary measures including berms, dikes, drains, and other devices to prevent water flow.

1.23 NOISE CONTROL

- A. Provide methods, means, and facilities to minimize noise from and noise produced by construction operations.

1.24 PEST AND RODENT CONTROL

- A. N/A

1.25 POLLUTION CONTROL

- A. Provide methods, means, and facilities to prevent contamination of soil, water, and atmosphere from discharge of noxious, toxic substances and pollutants produced by construction operations.
- B. Comply with pollution and environmental control requirements of EPA and ADEM

1.26 REMOVAL OF UTILITIES, FACILITIES, AND CONTROLS

- A. Remove temporary utilities, equipment, facilities, and materials before final inspection.
- B. Clean and repair damage caused by installation or use of temporary Work.
- C. Restore existing and permanent facilities used during construction to original condition. Restore permanent facilities used during construction to specified condition.

PART 2 - PRODUCTS - Not Used

PART 3 - EXECUTION - Not Used

END OF SECTION 015000

**This page intentionally left blank.**

## SECTION 016000 - PRODUCT REQUIREMENTS

### PART 1 - GENERAL

#### 1.1 SECTION INCLUDES

- A. Products.
- B. Product delivery requirements.
- C. Product storage and handling requirements.
- D. Product options.

#### 1.2 PRODUCTS

- A. At minimum, comply with specified requirements and reference standards.
- B. Specified products define standard of quality, type, function, dimension, appearance, and performance required.
- C. Furnish products of qualified manufacturers that are suitable for intended use. Furnish products of each type by single manufacturer unless specified otherwise. Confirm that manufacturer's production capacity can provide sufficient product, on time, to meet Project requirements.
- D. Do not use materials and equipment removed from existing premises except as specifically permitted by Contract Documents.
- E. Furnish interchangeable components from same manufacturer for components being replaced.

#### 1.3 PRODUCT DELIVERY REQUIREMENTS

- A. Comply with delivery requirements in Section 017419 - Construction Waste Management and Disposal.
- B. Transport and handle products according to manufacturer's instructions.
- C. Promptly inspect shipments to ensure products comply with requirements, quantities are correct, and products are undamaged.
- D. Provide equipment and personnel to handle products; use methods to prevent soiling, disfigurement, or damage.



#### 1.4 PRODUCT STORAGE AND HANDLING REQUIREMENTS

- A. Store and protect products according to manufacturer's instructions.
- B. Store products with seals and labels intact and legible.
- C. Store sensitive products in weathertight, climate-controlled enclosures in an environment suitable to product.
- D. For exterior storage of fabricated products, place products on sloped supports aboveground.
- E. Provide off-Site storage and protection when Site does not permit on-Site storage or protection.
- F. Cover products subject to deterioration with impervious sheet covering. Provide ventilation to prevent condensation and degradation of products.
- G. Store loose granular materials on solid flat surfaces in well-drained area. Prevent mixing with foreign matter.
- H. Provide equipment and personnel to store products; use methods to prevent soiling, disfigurement, or damage.

#### 1.5 PRODUCT OPTIONS

- A. Products Specified by Reference Standards or by Description Only: Products complying with specified reference standards or description.
- B. Products Specified by Naming One or More Manufacturers: Products of one of manufacturers named and complying with Specifications; no options or substitutions allowed.
- C. Products Specified by Naming One or More Manufacturers with Provision for Substitutions: Submit Request for Substitution for any manufacturer not named, according to Section 012500 - Substitution Procedures.

PART 2 - PRODUCTS - Not Used

PART 3 - EXECUTION - Not Used

END OF SECTION 016000

## SECTION 017000 - EXECUTION AND CLOSEOUT REQUIREMENTS

### PART 1 - GENERAL

#### 1.1 SECTION INCLUDES

- A. Field engineering.
- B. Closeout procedures.
- C. Starting of systems.
- D. Demonstration and instructions.
- E. Testing, adjusting, and balancing.
- F. Project record documents.
- G. Operation and maintenance data.
- H. Manual for materials and finishes.
- I. Manual for equipment and systems.
- J. Spare parts and maintenance products.
- K. Product warranties and product bonds.
- L. Examination.
- M. Preparation.
- N. Execution.
- O. Cutting and patching.
- P. Protecting installed construction.
- Q. Final cleaning.

#### 1.2 FIELD ENGINEERING

- A. Employ land surveyor registered in State of Alabama and acceptable to Engineer.
- B. Locate all and protect survey control and reference points. Promptly notify Engineer of discrepancies discovered.
- C. Control datum for survey is established on the drawings.

- D. Prior to beginning Work, verify and establish floor elevations of existing facilities to ensure that new Work will meet existing elevations in smooth and level alignment except where specifically detailed or indicated otherwise.
- E. Verify setbacks and easements; confirm Drawing dimensions and elevations.
- F. Provide field engineering services. Establish elevations, lines, and levels using recognized engineering survey practices.
- G. Submit copy of certificate signed by land surveyor certifying elevations and locations of the Work are in conformance with Contract Documents.
- H. On completion of foundation walls and major Site improvements, prepare certified survey illustrating dimensions, locations, angles, and elevations of construction.
- I. Protect survey control points prior to starting Site Work; preserve permanent reference points during construction.
- J. Replace dislocated survey control points based on original survey control. Make no changes without prior written notice to Architect/Engineer.
- K. Final Property Survey: Prior to Substantial Completion, prepare final property survey illustrating locations, dimensions, angles, and elevations of buildings and Site Work that have resulted from construction indicating their relationship to permanent bench marks and property lines.
  - 1. Show significant features (real property) for Project.
  - 2. Include certification on survey, signed by surveyor, that principal metes, bounds, lines, levels, and elevations of Project are accurately shown.

### 1.3 CLOSEOUT PROCEDURES

- A. Prerequisites to Substantial Completion: Complete following items before requesting Certification of Substantial Completion, either for entire Work or for portions of Work:
  - 1. Submit maintenance manuals, Project record documents, digital images of construction photographs, and other similar final record data in compliance with this Section.
  - 2. Complete facility startup, testing, adjusting, balancing of systems and equipment, demonstrations, and instructions to Owner's operating and maintenance personnel as specified in compliance with this Section.
  - 3. Conduct inspection to establish basis for request that Work is substantially complete. Create comprehensive list (initial punch list) indicating items to be completed or corrected, value of incomplete or nonconforming Work, reason for being incomplete, and date of anticipated completion for each item. Include copy of list with request for Certificate of Substantial Completion.
  - 4. Obtain and submit releases enabling Owner's full, unrestricted use of Project and access to services and utilities. Include certificate of occupancy, operating certificates, and similar releases from authorities having jurisdiction and utility companies.
  - 5. Deliver tools, spare parts, extra stocks of material, and similar physical items to Owner.

6. Make final change-over of locks and transmit keys directly to Owner. Advise Owner's personnel of change-over in security provisions.
7. Discontinue or change over and remove temporary facilities and services from Project Site, along with construction tools, mockups, and similar elements.
8. Perform final cleaning according to this Section.

**B. Substantial Completion Inspection:**

1. When Contractor considers Work to be substantially complete, submit to Engineer:
  - a. Written certificate that Work, or designated portion, is substantially complete.
  - b. List of items to be completed or corrected (initial punch list).
2. Within 7 days after receipt of request for Substantial Completion, Engineer and Owner will make inspection to determine whether Work or designated portion is substantially complete.
3. Should Engineer determine that Work is not substantially complete:
  - a. Engineer will promptly notify Contractor in writing, stating reasons for its opinion.
  - b. Contractor shall remedy deficiencies in Work and send second written request for Substantial Completion to Engineer.
  - c. Engineer will reinspect Work.
  - d. Redo and Inspection of Deficient Work: Repeated until Work passes Engineer / Owners inspection.
4. When Engineer and Owner finds that Work is substantially complete, Engineer will:
  - a. Prepare Certificate of Substantial Completion accompanied by Contractor's list of items to be completed or corrected as verified and amended by Engineer and Owner (final punch list).
  - b. Submit Certificate to Owner and Contractor for their written acceptance of responsibilities assigned to them in Certificate.
5. After Work is substantially complete, Contractor shall:
  - a. Allow Owner occupancy of Project under provisions stated in Certificate of Substantial Completion.
  - b. Complete Work listed for completion or correction within time period stipulated.

**C. Prerequisites for Final Completion: Complete following items before requesting final acceptance and final payment.**

1. When Contractor considers Work to be complete, submit written certification that:
  - a. Contract Documents have been reviewed.
  - b. Work has been examined for compliance with Contract Documents.
  - c. Work has been completed according to Contract Documents.
  - d. Work is completed and ready for final inspection.
2. Submittals: Submit following:

- a. Final punch list indicating all items have been completed or corrected.
  - b. Final payment request with final releases and supporting documentation not previously submitted and accepted. Include certificates of insurance for products and completed operations where required.
  - c. Specified warranties, workmanship/maintenance bonds, maintenance agreements, and other similar documents.
  - d. Accounting statement for final changes to Contract Sum.
  - e. Contractor's affidavit of payment of debts and claims.
  - f. Contractor affidavit of release of liens.
  - g. Consent of surety to final payment.
3. Perform final cleaning for Contractor-soiled areas according to this Section.
- D. Final Completion Inspection:
1. Within 7 days after receipt of request for final inspection, Engineer and Owner will make inspection to determine whether Work or designated portion is complete.
  2. Should Engineer consider Work to be incomplete or defective:
    - a. Engineer will promptly notify Contractor in writing, listing incomplete or defective Work.
    - b. Contractor shall remedy stated deficiencies and send second written request to Engineer that Work is complete.
    - c. Engineer will reinspect Work.
    - d. Redo and Inspection of Deficient Work: Repeated until Work passes Engineer and Owner inspection.

#### 1.4 STARTING OF SYSTEMS

- A. Coordinate schedule for startup of various equipment and systems.
- B. Notify Engineer 7 days prior to startup of each item.
- C. Verify that each piece of equipment or system has been checked for proper lubrication, drive rotation, belt tension, control sequence, and for conditions which may cause damage.
- D. Verify that tests, meter readings, and electrical characteristics agree with those required by equipment or system manufacturer.
- E. Verify that wiring and support components for equipment are complete and tested.
- F. Execute startup under supervision of manufacturer's representative or Contractors' personnel according to manufacturer's instructions.
- G. When specified in individual Specification Sections, require manufacturer to provide authorized representative who will be present at Site to inspect, check, and approve equipment or system installation prior to startup and will supervise placing equipment or system in operation.
- H. Submit a written report that equipment or system has been properly installed and is functioning correctly.

## 1.5 DEMONSTRATION AND INSTRUCTIONS

- A. Demonstrate operation and maintenance of products to Owner's personnel 14 Days prior to date of Substantial Completion.
- B. Demonstrate Project equipment and instructed by manufacturer's representative who is knowledgeable about the Project.
- C. Video Recordings: Provide high-quality color video recordings of demonstration and instructional sessions. Engage commercial videographer to record sessions. Include classroom instructions, demonstrations, board diagrams, and other visual aids. Include menu navigation.
- D. For equipment or systems requiring seasonal operation, perform demonstration for other season within 6 months.
- E. Use operation and maintenance manuals as basis for instruction. Review contents of manual with Owner's personnel in detail to explain all aspects of operation and maintenance.
- F. Demonstrate startup, operation, control, adjustment, troubleshooting, servicing, maintenance, and shutdown of each item of equipment at scheduled time at equipment location.
- G. Prepare and insert additional data in operations and maintenance manuals when need for additional data becomes apparent during instruction.

## 1.6 TESTING, ADJUSTING, AND BALANCING

- A. Owner will appoint, employ, and pay for services of independent firm to perform testing, adjusting, and balancing after initial contractor start up and adjustments.

## 1.7 PROJECT RECORD DOCUMENTS

- A. Maintain on Site one set of the following record documents; record actual revisions to the Work:
  - 1. Drawings.
  - 2. Specifications.
  - 3. Addenda.
  - 4. Change Orders and other modifications to the Contract.
  - 5. Reviewed Shop Drawings, product data, and Samples.
  - 6. Manufacturer's instruction for assembly, installation, and adjusting.
- B. Ensure entries are complete and accurate, enabling future reference by Owner.
- C. Store record documents separate from documents used for construction.
- D. Record information concurrent with construction progress, not less than weekly.
- E. Specifications: Legibly mark and record, at each product Section, description of actual products installed, including the following:

1. Manufacturer's name and product model and number.
2. Product substitutions or alternates used.
3. Changes made by Addenda and modifications.

F. Record Drawings Legibly mark each item to record actual construction as follows:

1. Include Contract modifications such as Addenda, supplementary instructions, change directives, field orders, minor changes in the Work, and change orders.
2. Include locations of concealed elements of the Work.
3. Identify depth of buried utility lines and provide dimensions showing distances from permanent facility components that are parallel to utilities.
4. Dimension ends, corners, and junctions of buried utilities to permanent facility components using triangulation.
5. Identify and locate existing buried or concealed items encountered during Project.
6. Measured depths of foundations in relation to finish main floor datum.
7. Measured horizontal and vertical locations of underground utilities and appurtenances, referenced to permanent surface improvements.
8. Measured locations of internal utilities and appurtenances concealed in construction, referenced to visible and accessible features of the Work.
9. Field changes of dimension and detail.
10. Details not on original Drawings.

G. Submit marked-up paper copy documents to Engineer before Substantial Completion.

H. Submit PDF electronic files of marked-up documents to Architect/Engineer before Substantial Completion.

## 1.8 OPERATION AND MAINTENANCE DATA

- A. Submit in PDF composite electronic indexed file.
- B. Submit 3 data bound in 8-1/2 x 11-inch (A4) text pages, three D side ring binders with durable plastic covers.
- C. Prepare binder cover with printed title "OPERATION AND MAINTENANCE INSTRUCTIONS," title of Project, and subject matter of binder when multiple binders are required.
- D. Internally subdivide binder contents with permanent page dividers, logically organized as described below; with tab titling clearly printed under reinforced laminated plastic tabs.
- E. Drawings: Provide with reinforced punched binder tab. Bind in with text; fold larger drawings to size of text pages.
- F. Contents: Prepare table of contents for each volume, with each product or system description identified, typed on white paper, in three parts as follows:
  1. Part 1: Directory, listing names, addresses, and telephone numbers of Architect/Engineer, Contractor, Subcontractors, and major equipment suppliers.

2. Part 2: Operation and maintenance instructions, arranged by **system**] and subdivided by specification section. For each category, identify names, addresses, and telephone numbers of Subcontractors and suppliers. Include the following:
  - a. Significant design criteria.
  - b. List of equipment.
  - c. Parts list for each component.
  - d. Operating instructions.
  - e. Maintenance instructions for equipment and systems.
  - f. Maintenance instructions for special finishes, including recommended cleaning methods and materials, and special precautions identifying detrimental agents.
  - g. Safety precautions to be taken when operating and maintaining or working near equipment.
  
3. Part 3: Project documents and certificates, including the following:
  - a. Shop Drawings and product data.
  - b. Air and water balance reports.
  - c. Certificates.
  - d. Originals of warranties.

#### 1.9 MANUAL FOR MATERIALS AND FINISHES

- A. Submit two copies of preliminary draft or proposed formats and outlines of contents before start of Work. Architect/Engineer will review draft and return one copy with comments.
- B. For equipment or component parts of equipment put into service during construction and operated by Owner, submit documents within ten days after acceptance.
- C. Submit one copy of completed volumes before Substantial Completion. Draft copy be reviewed and returned, with Architect/Engineer comments. Revise content of document sets as required prior to final submission.
- D. Submit 2 sets of revised final volumes within 10 days after final inspection.
- E. Submit in PDF composite electronic indexed file of final manual within 10 days after final inspection.
- F. Building Products, Applied Materials, and Finishes: Include product data, with catalog number, size, composition, and color and texture designations. Include information for re-ordering custom-manufactured products.
- G. Instructions for Care and Maintenance: Include manufacturer's recommendations for cleaning agents and methods, precautions against detrimental agents and methods, and recommended schedule for cleaning and maintenance.
- H. Moisture Protection and Weather Exposed Products: Include product data listing applicable reference standards, chemical composition, and details of installation. Include recommendations for inspections, maintenance, and repair.



- I. Additional Requirements: As specified in individual product Specification Sections.
- J. Include listing in table of contents for design data, with tabbed fly sheet and space for insertion of data.

#### 1.10 MANUAL FOR EQUIPMENT AND SYSTEMS

- A. Submit two copies of preliminary draft or proposed formats and outlines of contents before start of Work. Architect/Engineer will review draft and return one copy with comments.
- B. For equipment, or component parts of equipment put into service during construction and operated by Owner, submit documents within ten days after acceptance.
- C. Submit one copy of completed volumes before Substantial Completion. Draft copy will be reviewed and returned, with Engineer comments. Revise content of document sets as required prior to final submission.
- D. Submit 2 sets of revised final volumes within 10 days after final inspection.
- E. Submit in PDF composite electronic indexed file of final manual within 10 days after final inspection.
- F. Each Item of Equipment and Each System: Include description of unit or system and component parts. Identify function, normal operating characteristics, and limiting conditions. Include performance curves, with engineering data and tests, and complete nomenclature and model number of replaceable parts.
- G. Panelboard Circuit Directories: Provide electrical service characteristics, controls, and communications; typed by label machine.
- H. Include color-coded wiring diagrams as installed.
- I. Operating Procedures: Include startup, break-in, and routine normal operating instructions and sequences. Include regulation, control, stopping, shutdown, and emergency instructions. Include summer, winter, and special operating instructions.
- J. Maintenance Requirements: Include routine procedures and guide for preventative maintenance and troubleshooting; disassembly, repair, and reassembly instructions; and alignment, adjusting, balancing, and checking instructions.
- K. Include servicing and lubrication schedule and list of lubricants required.
- L. Include manufacturer's printed operation and maintenance instructions.
- M. Include sequence of operation by controls manufacturer.
- N. Include original manufacturer's parts list, illustrations, assembly drawings, and diagrams required for maintenance.
- O. Include control diagrams by controls manufacturer as installed.

- P. Include Contractor's coordination drawings with color-coded piping diagrams as installed.
- Q. Include charts of valve tag numbers, with location and function of each valve, keyed to flow and control diagrams.
- R. Include list of original manufacturer's spare parts, current prices, and recommended quantities to be maintained in storage.
- S. Include test and balancing reports.
- T. Additional Requirements: As specified in individual product Specification Sections.
- U. Include listing in table of contents for design data with tabbed dividers and space for insertion of data.

#### 1.11 SPARE PARTS AND MAINTENANCE PRODUCTS

- A. Furnish spare parts, maintenance, and extra products in quantities specified in individual Specification Sections.
- B. Deliver to Project Site; obtain receipt prior to final payment.

#### 1.12 PRODUCT WARRANTIES AND PRODUCT BONDS

- A. Obtain warranties and bonds executed in duplicate by responsible Subcontractors, suppliers, and manufacturers within 10 days after completion of applicable item of Work.
- B. Execute and assemble transferable warranty documents and bonds from Subcontractors, suppliers, and manufacturers.
- C. Verify documents are in proper form, contain full information, and are notarized.
- D. Co-execute submittals when required.
- E. Include table of contents and assemble in three D side ring binder with durable plastic cover.
- F. Submit prior to final Application for Payment.
- G. Time of Submittals:
  - 1. For equipment or component parts of equipment put into service during construction with Owner's permission, submit documents within 10 days after acceptance.
  - 2. Make other submittals within 10 days after date of Substantial Completion, prior to final Application for Payment.
  - 3. For items of Work for which acceptance is delayed beyond Substantial Completion, submit within 10 days after acceptance, listing date of acceptance as beginning of warranty or bond period.

## PART 2 - PRODUCTS - Not Used

## PART 3 - EXECUTION

### 3.1 EXAMINATION

- A. Verify that existing Site conditions and substrate surfaces are acceptable for subsequent Work. Beginning new Work means acceptance of existing conditions.
- B. Verify that existing substrate is capable of structural support or attachment of new Work being applied or attached.
- C. Examine and verify specific conditions described in individual Specification Sections.
- D. Verify that utility services are available with correct characteristics and in correct locations.

### 3.2 PREPARATION

- A. Clean substrate surfaces prior to applying next material or substance according to manufacturer's instructions.
- B. Seal cracks or openings of substrate prior to applying next material or substance.
- C. Apply manufacturer-required or -recommended substrate primer, sealer, or conditioner prior to applying new material or substance in contact or bond.

### 3.3 EXECUTION

- A. Comply with manufacturer's installation instructions, performing each step in sequence. Maintain one set of manufacturer's installation instructions at Project Site during installation and until completion of construction.
- B. When manufacturer's installation instructions conflict with Contract Documents, request clarification from Architect/Engineer before proceeding.
- C. Verify that field measurements are as indicated on approved Shop Drawings or as instructed by manufacturer.
- D. Secure products in place with positive anchorage devices designed and sized to withstand stresses, vibration, physical distortion, or disfigurement.
  - 1. Secure Work true to line and level and within specified tolerances, or if not specified, industry-recognized tolerances.
  - 2. Physically separate products in place, provide electrical insulation, or provide protective coatings to prevent galvanic action or corrosion between dissimilar metals.
  - 3. Exposed Joints: Provide uniform joint width and arrange to obtain best visual effect. Refer questionable visual-effect choices to Architect/Engineer for final decision.

- E. Allow for expansion of materials and building movement.
- F. Climatic Conditions and Project Status: Install each unit of Work under conditions to ensure best possible results in coordination with entire Project.
  - 1. Isolate each unit of Work from incompatible Work as necessary to prevent deterioration.
  - 2. Coordinate enclosure of Work with required inspections and tests to minimize necessity of uncovering Work for those purposes.
- G. Mounting Heights: Where not indicated, mount individual units of Work at industry recognized standard mounting heights for particular application indicated.
  - 1. Refer questionable mounting heights choices to Architect/Engineer for final decision.
  - 2. Elements Identified as Accessible to Handicapped: Comply with applicable codes and regulations.
- H. Adjust operating products and equipment to ensure smooth and unhindered operation.
- I. Clean and perform maintenance on installed Work as frequently as necessary through remainder of construction period. Lubricate operable components as recommended by manufacturer.

### 3.4 CUTTING AND PATCHING

- A. Employ skilled installers to perform cutting and patching.
- B. Submit written request in advance of cutting or altering elements affecting:
  - 1. Structural integrity of element.
  - 2. Integrity of weather-exposed or moisture-resistant elements.
  - 3. Efficiency, maintenance, or safety of element.
  - 4. Visual qualities of sight-exposed elements.
  - 5. Work of Owner or separate contractor.
- C. Execute cutting, fitting, and patching to complete Work and to:
  - 1. Fit the several parts together, to integrate with other Work.
  - 2. Uncover Work to install or correct ill-timed Work.
  - 3. Remove and replace defective and nonconforming Work.
  - 4. Remove samples of installed Work for testing.
  - 5. Provide openings in elements of Work for penetrations of mechanical and electrical Work.
- D. Execute Work by methods to avoid damage to other Work and to provide proper surfaces to receive patching and finishing.
- E. Cut masonry and concrete materials using masonry saw or core drill.
- F. Restore Work with new products according to requirements of Contract Documents.
- G. Fit Work tight to pipes, sleeves, ducts, conduits, and other penetrations through surfaces.

- H. Maintain integrity of wall, ceiling, or floor construction; completely seal voids.
- I. At penetrations of fire-rated walls, partitions, ceiling, or floor construction, completely seal voids with fire rated material to full thickness of penetrated element.
- J. Refinish surfaces to match adjacent finishes. For continuous surfaces, refinish to nearest intersection; for assembly, refinish entire unit.
- K. Identify hazardous substances or conditions exposed during the Work to Architect/Engineer for decision or remedy.

### 3.5 PROTECTING INSTALLED CONSTRUCTION

- A. Protect installed Work and provide special protection where specified in individual Specification Sections.
- B. Provide temporary and removable protection for installed products. Control activity in immediate Work area to prevent damage.
- C. Provide protective coverings at walls, projections, jambs, sills, and soffits of openings.
- D. Use durable sheet materials to protect finished floors, stairs, and other surfaces from traffic, dirt, wear, damage, or movement of heavy objects.
- E. Prohibit traffic or storage upon waterproofed or roofed surfaces. When traffic or activity is necessary, obtain recommendations for protection from waterproofing or roofing material manufacturer.
- F. Prohibit traffic from landscaped areas.

### 3.6 FINAL CLEANING

- A. Execute final cleaning prior to final Project assessment.
  - 1. Employ experienced personnel or professional cleaning firm.
- B. Clean interior and exterior glass and surfaces exposed to view; remove temporary labels, stains, and foreign substances; polish transparent and glossy surfaces; and vacuum carpeted and soft surfaces.
- C. Clean equipment and fixtures to sanitary condition with appropriate cleaning materials.
- D. Replace filters of operating equipment.
- E. Clean debris from roofs, gutters, downspouts, and drainage systems.
- F. Clean Site; sweep paved areas, rake clean landscaped surfaces.
- G. Remove waste and surplus materials, rubbish, and construction facilities from Site.

END OF SECTION 017000

**This page intentionally left blank.**

## SECTION 017310 – CUTTING AND PATCHING

### PART 1 - GENERAL

#### 1.1 RELATED DOCUMENTS

- A. Drawings and general provisions of the Contract, including General and Supplementary Conditions and other Division 1 Specification Sections, apply to this Section.

#### 1.2 SUMMARY

- A. This Section includes procedural requirements for cutting and patching.
- B. Related Sections include the following:
  - 1. Division 1 Section "Selective Demolition" for demolition of selected portions of the alterations.
  - 2. Divisions 2 through 16 Sections for specific requirements and limitations applicable to cutting and patching individual parts of the Work.

#### 1.3 DEFINITIONS

- A. Cutting: Removal of existing construction necessary to permit installation or performance of other Work.
- B. Patching: Fitting and repair work required to restore surfaces to original conditions after installation of other Work.

#### 1.4 QUALITY ASSURANCE

- A. Structural Elements: Do not cut and patch structural elements in a manner that could change their load-carrying capacity or load-deflection ratio.
- B. Visual Requirements: Do not cut and patch construction in a manner that results in visual evidence of cutting and patching. Remove and replace construction that has been cut and patched in a visually unsatisfactory manner.

### PART 2 - PRODUCTS

#### 2.1 MATERIALS

- A. General: Comply with requirements specified in other Sections of these Specifications.
- B. Existing Materials: Use materials identical to existing materials. For exposed surfaces, use materials that visually match existing adjacent surfaces to the fullest extent possible.
  - 1. If identical materials are unavailable or cannot be used, use materials that, when installed, will match the visual and functional performance of existing materials.



## PART 3 - EXECUTION

### 3.1 EXAMINATION

- A. Examine surfaces to be cut and patched and conditions under which cutting and patching are to be performed.
  - 1. Compatibility: Before patching, verify compatibility with and suitability of substrates, including compatibility with existing finishes or primers.
  - 2. Proceed with installation only after unsafe or unsatisfactory conditions have been corrected.

### 3.2 PREPARATION

- A. Temporary Support: Provide temporary support of Work to be cut.
- B. Protection: Protect existing construction during cutting and patching to prevent damage. Provide protection from adverse weather conditions for portions of Project that might be exposed during cutting and patching operations.
- C. Adjoining Areas: Avoid interference with use of adjoining areas or interruption of free passage to adjoining areas.

### 3.3 PERFORMANCE

- A. General: Employ skilled workers to perform cutting and patching. Proceed with cutting and patching at the earliest feasible time, and complete without delay.
  - 1. Cut existing construction to provide for installation of other components or performance of other construction, and subsequently patch as required to restore surfaces to their original condition.
- B. Cutting: Cut existing construction by sawing, drilling, breaking, chipping, grinding, and similar operations, including excavation, using methods least likely to damage elements retained or adjoining construction. If possible, review proposed procedures with original Installer; comply with original Installer's written recommendations.
  - 1. In general, use hand or small power tools designed for sawing and grinding, not hammering and chopping. Cut holes and slots as small as possible, neatly to size required, and with minimum disturbance of adjacent surfaces. Temporarily cover openings when not in use.
  - 2. Existing Finished Surfaces: Cut or drill from the exposed or finished side into concealed surfaces.
  - 3. Concrete or Asphalt: Cut using a cutting machine, such as an abrasive saw or a diamond-core drill.
  - 4. Excavating and Backfilling: Comply with requirements in applicable Division 2 Sections where required by cutting and patching operations.
  - 5. Mechanical and Electrical Services: Cut off pipe or conduit in walls or partitions to be removed. Cap, valve, or plug and seal remaining portion of pipe or conduit to prevent entrance of moisture or other foreign matter after cutting.
  - 6. Proceed with patching after construction operations requiring cutting are complete.
- C. Patching: Patch construction by filling, repairing, refinishing, closing up, and similar operations following performance of other Work. Patch with durable seams that are as invisible as

possible. Provide materials and comply with installation requirements specified in other Sections of these Specifications.

1. Inspection: Where feasible, test and inspect patched areas after completion to demonstrate integrity of installation.
2. Exposed Finishes: Restore exposed finishes of patched areas and extend finish restoration into retained adjoining construction in a manner that will eliminate evidence of patching and refinishing.
3. Exterior Enclosure: Patch components in a manner that restores enclosure to a weathertight condition.

END OF SECTION 017310

**This page intentionally left blank.**

## SECTION 017320 – SELECTIVE DEMOLITION

### PART 1 - GENERAL

#### 1.1 RELATED DOCUMENTS

- A. Drawings and general provisions of the Contract, including General and Supplementary Conditions and Division 01 Specification Sections, apply to this Section.

#### 1.2 SUMMARY

- A. Section Includes:

- 1. Demolition and removal of selected portions of building or structure.
- 2. Demolition and removal of selected site elements.
- 3. Salvage of existing items to be reused or recycled.

- B. Related Requirements:

- 1. Section 01100 "Summary" for restrictions on the use of the premises, Owner-occupancy requirements, and phasing requirements.
- 2. Section 01700 "Execution Requirements" for cutting and patching procedures.
- 3. Section 02230 "Site Clearing" for site clearing and removal of above- and below-grade improvements.

#### 1.3 DEFINITIONS

- A. Remove: Detach items from existing construction and legally dispose of them off-site unless indicated to be removed and salvaged or removed and reinstalled.
- B. Remove and Salvage: Carefully detach from existing construction, in a manner to prevent damage, and deliver to Owner.
- C. Remove and Reinstall: Detach items from existing construction, prepare for reuse, and reinstall where indicated.
- D. Existing to Remain: Existing items of construction that are not to be permanently removed and that are not otherwise indicated to be removed, removed and salvaged, or removed and reinstalled.

#### 1.4 MATERIALS OWNERSHIP

- A. Unless otherwise indicated, demolition waste becomes property of Contractor.

- B. Historic items, relics, antiques, and similar objects including, but not limited to, cornerstones and their contents, commemorative plaques and tablets, and other items of interest or value to Owner that may be uncovered during demolition remain the property of Owner.

- 1. Carefully salvage in a manner to prevent damage and promptly return to Owner.

#### 1.5 PREINSTALLATION MEETINGS

- A. Predemolition Conference: Conduct conference at Project site.

- 1. Inspect and discuss condition of construction to be selectively demolished.
  - 2. Review structural load limitations of existing structure.
  - 3. Review and finalize selective demolition schedule and verify availability of materials, demolition personnel, equipment, and facilities needed to make progress and avoid delays.
  - 4. Review requirements of work performed by other trades that rely on substrates exposed by selective demolition operations.
  - 5. Review areas where existing construction is to remain and requires protection.

#### 1.6 INFORMATIONAL SUBMITTALS

- A. Schedule of Selective Demolition Activities: Indicate the following:

- 1. Detailed sequence of selective demolition and removal work, with starting and ending dates for each activity. Ensure Owner's on-site operations are uninterrupted.
  - 2. Interruption of utility services. Indicate how long utility services will be interrupted.
  - 3. Coordination for shutoff, capping, and continuation of utility services.
  - 4. Use of elevator and stairs.
  - 5. Coordination of Owner's continuing occupancy of portions of existing building and of Owner's partial occupancy of completed Work.

- B. Inventory: Submit a list of items to be removed and salvaged and deliver to Owner prior to start of demolition.

- C. Predemolition Photographs or Video: Submit before Work begins.

- D. Warranties: Documentation indicated that existing warranties are still in effect after completion of selective demolition.

#### 1.7 CLOSEOUT SUBMITTALS

- A. Inventory: Submit a list of items that have been removed and salvaged.

- B. Landfill Records: Indicate receipt and acceptance of hazardous wastes by a landfill facility licensed to accept hazardous wastes.

## 1.8 FIELD CONDITIONS

- A. Owner may occupy portions of building immediately adjacent to selective demolition area. Conduct selective demolition so Owner's operations will not be disrupted.
- B. Conditions existing at time of inspection for bidding purpose will be maintained by Owner as far as practical.
- C. Notify Engineer of discrepancies between existing conditions and Drawings before proceeding with selective demolition.
- D. Hazardous Materials: It is not expected that hazardous materials will be encountered in the Work.
  - 1. If suspected hazardous materials are encountered, do not disturb; immediately notify Engineer and Owner. Hazardous materials will be removed by Owner under a separate contract.
- E. Storage or sale of removed items or materials on-site is not permitted.
- F. Utility Service: Maintain existing utilities indicated to remain in service and protect them against damage during selective demolition operations.
  - 1. Maintain fire-protection facilities in service during selective demolition operations.

## PART 2 - PRODUCTS

### 2.1 PERFORMANCE REQUIREMENTS

- A. Regulatory Requirements: Comply with governing EPA notification regulations before beginning selective demolition. Comply with hauling and disposal regulations of authorities having jurisdiction.
- B. Standards: Comply with ANSI/ASSE A10.6 and NFPA 241.

## PART 3 - EXECUTION

### 3.1 EXAMINATION

- A. Verify that utilities have been disconnected and capped before starting selective demolition operations.
- B. Review record documents of existing construction provided by Owner. Owner does not guarantee that existing conditions are same as those indicated in record documents.
- C. Survey existing conditions and correlate with requirements indicated to determine extent of selective demolition required.

- D. When unanticipated mechanical, electrical, or structural elements that conflict with intended function or design are encountered, investigate and measure the nature and extent of conflict. Promptly submit a written report to Architect.
- E. Perform an engineering survey of condition of existing structures to determine whether removing any element might result in structural deficiency or unplanned collapse of any portion of structure or adjacent structures during selective demolition operations.
  - 1. Perform surveys as the Work progresses to detect hazards resulting from selective demolition activities.
- F. Survey of Existing Conditions: Record existing conditions by use of preconstruction photographs.
  - 1. Comply with requirements specified in Section 01322 "Photographic Documentation."
  - 2. Inventory and record the condition of items to be removed and salvaged. Provide photographs of conditions that might be misconstrued as damage caused by salvage operations.
  - 3. Before selective demolition or removal of existing building elements that will be reproduced or duplicated in final Work, make permanent record of measurements, materials, and construction details required to make exact reproduction.

### 3.2 UTILITY SERVICES AND MECHANICAL/ELECTRICAL SYSTEMS

- A. Existing Services/Systems to Remain: Maintain services/systems indicated to remain and protect them against damage.
  - 1. Comply with requirements for existing services/systems interruptions specified in Section 01100 "Summary."
- B. Existing Services/Systems to Be Removed, Relocated, or Abandoned: Locate, identify, disconnect, and seal or cap off indicated utility services and mechanical/electrical systems serving areas to be selectively demolished.
  - 1. Owner will arrange to shut off indicated services/systems when requested by Contractor.
  - 2. Arrange to shut off indicated utilities with utility companies.
  - 3. If services/systems are required to be removed, relocated, or abandoned, provide temporary services/systems that bypass area of selective demolition and that maintain continuity of services/systems to other parts of building.
  - 4. Disconnect, demolish, and remove fire-suppression systems, plumbing, and HVAC systems, equipment, and components indicated to be removed.
    - a. Piping to Be Removed: Remove portion of piping indicated to be removed and cap or plug remaining piping with same or compatible piping material.
    - b. Piping to Be Abandoned in Place: Drain piping and cap or plug piping with same or compatible piping material.
    - c. Equipment to Be Removed: Disconnect and cap services and remove equipment.
    - d. Equipment to Be Removed and Reinstalled: Disconnect and cap services and remove, clean, and store equipment; when appropriate, reinstall, reconnect, and make equipment operational.

- e. Equipment to Be Removed and Salvaged: Disconnect and cap services and remove equipment and deliver to Owner.
- f. Ducts to Be Removed: Remove portion of ducts indicated to be removed and plug remaining ducts with same or compatible ductwork material.
- g. Ducts to Be Abandoned in Place: Cap or plug ducts with same or compatible ductwork material.

### 3.3 PREPARATION

- A. Site Access and Temporary Controls: Conduct selective demolition and debris-removal operations to ensure minimum interference with roads, streets, walks, walkways, and other adjacent occupied and used facilities.
  - 1. Comply with requirements for access and protection specified in Section 01500 "Temporary Facilities and Controls."
- B. Temporary Facilities: Provide temporary barricades and other protection required to prevent injury to people and damage to adjacent buildings and facilities to remain.
  - 1. Provide protection to ensure safe passage of people around selective demolition area and to and from occupied portions of building.
  - 2. Provide temporary weather protection, during interval between selective demolition of existing construction on exterior surfaces and new construction, to prevent water leakage and damage to structure and interior areas.
  - 3. Protect walls, ceilings, floors, and other existing finish work that are to remain or that are exposed during selective demolition operations.
  - 4. Cover and protect furniture, furnishings, and equipment that have not been removed.
  - 5. Comply with requirements for temporary enclosures, dust control, heating, and cooling specified in Section 01500 "Temporary Facilities and Controls."
- C. Temporary Shoring: Provide and maintain shoring, bracing, and structural supports as required to preserve stability and prevent movement, settlement, or collapse of construction and finishes to remain, and to prevent unexpected or uncontrolled movement or collapse of construction being demolished.
  - 1. Strengthen or add new supports when required during progress of selective demolition.

### 3.4 SELECTIVE DEMOLITION, GENERAL

- A. General: Demolish and remove existing construction only to the extent required by new construction and as indicated. Use methods required to complete the Work within limitations of governing regulations and as follows:
  - 1. Proceed with selective demolition systematically, from higher to lower level. Complete selective demolition operations above each floor or tier before disturbing supporting members on the next lower level.
  - 2. Neatly cut openings and holes plumb, square, and true to dimensions required. Use cutting methods least likely to damage construction to remain or adjoining construction. Use hand tools or small power tools designed for sawing or grinding, not hammering and



chopping, to minimize disturbance of adjacent surfaces. Temporarily cover openings to remain.

3. Cut or drill from the exposed or finished side into concealed surfaces to avoid marring existing finished surfaces.
4. Do not use cutting torches until work area is cleared of flammable materials. At concealed spaces, such as duct and pipe interiors, verify condition and contents of hidden space before starting flame-cutting operations. Maintain portable fire-suppression devices during flame-cutting operations.
5. Maintain adequate ventilation when using cutting torches.
6. Remove decayed, vermin-infested, or otherwise dangerous or unsuitable materials and promptly dispose of off-site.
7. Remove structural framing members and lower to ground by method suitable to avoid free fall and to prevent ground impact or dust generation.
8. Locate selective demolition equipment and remove debris and materials so as not to impose excessive loads on supporting walls, floors, or framing.
9. Dispose of demolished items and materials promptly.

B. Removed and Salvaged Items:

1. Clean salvaged items.
2. Pack or crate items after cleaning. Identify contents of containers.
3. Store items in a secure area until delivery to Owner.
4. Transport items to Owner's storage area designated by Owner.
5. Protect items from damage during transport and storage.

C. Removed and Reinstalled Items:

1. Clean and repair items to functional condition adequate for intended reuse.
2. Pack or crate items after cleaning and repairing. Identify contents of containers.
3. Protect items from damage during transport and storage.
4. Reinstall items in locations indicated. Comply with installation requirements for new materials and equipment. Provide connections, supports, and miscellaneous materials necessary to make item functional for use indicated.

- D. Existing Items to Remain: Protect construction indicated to remain against damage and soiling during selective demolition. When permitted by Engineer, items may be removed to a suitable, protected storage location during selective demolition and reinstalled in their original locations after selective demolition operations are complete.

### 3.5 SELECTIVE DEMOLITION PROCEDURES FOR SPECIFIC MATERIALS

- A. Concrete: Demolish in sections. Cut concrete full depth at junctures with construction to remain and at regular intervals using power-driven saw, then remove concrete between saw cuts.
- B. Masonry: Demolish in small sections. Cut masonry at junctures with construction to remain, using power-driven saw, then remove masonry between saw cuts.
- C. Concrete Slabs-on-Grade: Saw-cut perimeter of area to be demolished, then break up and remove.

- D. Resilient Floor Coverings: Remove floor coverings and adhesive according to recommendations in RFCI's "Recommended Work Practices for the Removal of Resilient Floor Coverings."
- E. Roofing: Remove no more existing roofing than what can be covered in one day by new roofing and so that building interior remains watertight and weathertight.
  - 1. Remove existing roof membrane, flashings, copings, and roof accessories.
  - 2. Remove existing roofing system down to substrate.

### 3.6 DISPOSAL OF DEMOLISHED MATERIALS

- A. General: Except for items or materials indicated to be reused, salvaged, reinstalled, or otherwise indicated to remain Owner's property, remove demolished materials from Project site and legally dispose of them.
  - 1. Do not allow demolished materials to accumulate on-site.
  - 2. Remove and transport debris in a manner that will prevent spillage on adjacent surfaces and areas.
  - 3. Remove debris from elevated portions of building by chute, hoist, or other device that will convey debris to grade level in a controlled descent.
- B. Burning: Burning of demolished materials will be permitted only at designated areas on Owner's property, provided required permits are obtained. Provide full-time monitoring for burning materials until fires are extinguished.
- C. Disposal: Transport demolished inert concrete materials and dispose of at designated spoil areas on Owner's property. Transport all other demolished materials off Owner's property and legally dispose of them.

### 3.7 CLEANING

- A. Clean adjacent structures and improvements of dust, dirt, and debris caused by selective demolition operations. Return adjacent areas to condition existing before selective demolition operations began.

END OF SECTION 017320

**This page intentionally left blank.**

## SECTION 017419 - CONSTRUCTION WASTE MANAGEMENT AND DISPOSAL

### PART 1 - GENERAL

#### 1.1 SUMMARY

- A. Section Includes:
1. Construction waste management plan.
  2. Construction waste recycling.
  3. Construction waste adaptive reuse.

#### 1.2 PLAN REQUIREMENTS

- A. Develop and implement construction waste management plan as approved by Engineer.
- B. Intent:
1. Divert construction, demolition, and land-clearing debris from landfill disposal.
  2. Redirect recyclable material back to manufacturing process.
  3. Generate cost savings or increase minimal additional cost to Project for waste disposal.

#### 1.3 SUBMITTALS

- A. Construction Waste Management Plan: Submit construction waste management plan describing methods and procedures for implementation and monitoring compliance including the following:
1. Transportation company hauling construction waste to waste processing facilities.
  2. Recycling and adaptive reuse processing facilities and waste type each facility will accept.
  3. Construction waste materials anticipated for recycling and adaptive reuse.
  4. On-Site sorting and Site storage methods.
- B. Submit documentation with each application for payment substantiating construction waste management plan was maintained and goals are being achieved.
1. Trash: Quantity by weight deposited in landfills. Include associated fees, transportation costs, container rentals, and taxes for total cost of disposal.
  2. Salvaged Material: Quantity by weight with destination for each type of material salvaged for resale, recycling, or adaptive reuse. Include associated fees, transportation costs, container rentals, taxes for total cost of disposal, and reimbursements due to salvage resale.
  3. Total Cost: Indicate total cost or savings for implementation of construction waste management plan.

#### 1.4 CONSTRUCTION WASTE MANAGEMENT PLAN

- A. Construction Waste Landfill Diversion: Minimum 75 percent by weight of construction waste materials for duration of Project through resale, recycling, or adaptive reuse.
- B. Implement construction waste management plan at start of construction.
- C. Review construction waste management plan at preconstruction meeting and progress meetings.
- D. Distribute approved construction waste management plan to Subcontractors and others affected by plan requirements.
- E. Oversee plan implementation, instruct construction personnel for plan compliance, and document plan results.
- F. Purchase products to prevent waste by:
  - 1. Ensuring correct quantity of each material is delivered to Site.
  - 2. Choosing products with minimal or no packaging.
  - 3. Requiring suppliers to use returnable pallets or containers.
  - 4. Requiring suppliers to take or buy back rejected or unused items.

#### 1.5 CONSTRUCTION WASTE RECYCLING

- A. Use source separation method or comingling method suitable to sorting and processing method of selected recycling center. Dispose nonrecyclable trash separately into landfill.
- B. Source Separation Method: Recyclable materials separated from trash and sorted into separate bins or containers, identified by waste type, prior to transportation to recycling center.
- C. Comingling Method: Recyclable materials separated from trash and placed in unsorted bins or container for sorting at recycling center.

#### 1.6 CONSTRUCTION WASTE ADAPTIVE REUSE

- A. Arrange with processing facility for salvage of construction material and processing for reuse. Do not reuse construction materials on-Site except as allowed by Engineer.

### PART 2 - PRODUCTS - Not Used

### PART 3 - EXECUTION

#### 3.1 CONSTRUCTION WASTE COLLECTION

- A. Collect construction waste materials in marked bins or containers and arrange for transportation to recycling centers or adaptive salvage and reuse processing facilities.

- B. Maintain recycling and adaptive reuse storage and collection area in orderly arrangement with materials separated to eliminate co-mingling of materials required to be delivered separately to waste processing facility.

### 3.2 CONSTRUCTION WASTE DISPOSAL

- A. Deliver construction waste to waste processing facilities. Obtain receipt for deliveries.
- B. Dispose of construction waste not capable of being recycled or adaptively reused by delivery to landfill, incinerator, or other legal disposal facility. Obtain receipt for deliveries.

END OF SECTION 017419

**This page intentionally left blank.**

## SECTION 017810 – PROJECT RECORD DOCUMENTS

### PART 1 - GENERAL

#### 1.1 RELATED DOCUMENTS

- A. Drawings and general provisions of the Contract, including General and Supplementary Conditions and other Division 01 Specification Sections, apply to this Section.

#### 1.2 SUMMARY

- A. Section includes administrative and procedural requirements for project record documents, including the following:
  - 1. Record Drawings.
  - 2. Record Specifications.
  - 3. Record Product Data.
  - 4. Miscellaneous record submittals.
- B. Related Requirements:
  - 1. Section 01700 "Execution Requirements" for final property survey.
  - 2. Section 01770 "Closeout Procedures" for general closeout procedures.
  - 3. Section 01782 "Operation and Maintenance Data" for operation and maintenance manual requirements.

#### 1.3 CLOSEOUT SUBMITTALS

- A. Record Drawings: Comply with the following:
  - 1. Number of Copies: Submit one set(s) of marked-up record prints.
- B. Record Specifications: Submit one paper copy of Project's Specifications, including addenda and contract modifications.
- C. Record Product Data: Submit one paper copy of each submittal.
  - 1. Where record Product Data are required as part of operation and maintenance manuals, submit duplicate marked-up Product Data as a component of manual.
- D. Miscellaneous Record Submittals: See other Specification Sections for miscellaneous record-keeping requirements and submittals in connection with various construction activities. Submit one paper copy of each submittal.



- E. Reports: Submit written report indicating items incorporated into project record documents concurrent with progress of the Work, including revisions, concealed conditions, field changes, product selections, and other notations incorporated.

## PART 2 - PRODUCTS

### 2.1 RECORD DRAWINGS

- A. Record Prints: Maintain one set of marked-up paper copies of the Contract Drawings and Shop Drawings, incorporating new and revised drawings as modifications are issued.
  - 1. Preparation: Mark record prints to show the actual installation where installation varies from that shown originally. Require individual or entity who obtained record data, whether individual or entity is Installer, subcontractor, or similar entity, to provide information for preparation of corresponding marked-up record prints.
    - a. Give particular attention to information on concealed elements that would be difficult to identify or measure and record later.
    - b. Accurately record information in an acceptable drawing technique.
    - c. Record data as soon as possible after obtaining it.
    - d. Record and check the markup before enclosing concealed installations.
    - e. Cross-reference record prints to corresponding archive photographic documentation.
  - 2. Content: Types of items requiring marking include, but are not limited to, the following:
    - a. Dimensional changes to Drawings.
    - b. Revisions to details shown on Drawings.
    - c. Depths of foundations below first floor.
    - d. Locations and depths of underground utilities.
    - e. Revisions to routing of piping and conduits.
    - f. Revisions to electrical circuitry.
    - g. Actual equipment locations.
    - h. Duct size and routing.
    - i. Locations of concealed internal utilities.
    - j. Changes made by Change Order or Work Change Directive.
    - k. Changes made following Engineer's written orders.
    - l. Details not on the original Contract Drawings.
    - m. Field records for variable and concealed conditions.
    - n. Record information on the Work that is shown only schematically.
  - 3. Mark the Contract Drawings and Shop Drawings completely and accurately. Use personnel proficient at recording graphic information in production of marked-up record prints.
  - 4. Mark record sets with erasable, red-colored pencil. Use other colors to distinguish between changes for different categories of the Work at same location.
  - 5. Mark important additional information that was either shown schematically or omitted from original Drawings.

6. Note Construction Change Directive numbers, alternate numbers, Change Order numbers, and similar identification, where applicable.
- B. Newly Prepared Record Drawings: Prepare new Drawings instead of preparing record Drawings where Engineer determines that neither the original Contract Drawings nor Shop Drawings are suitable to show actual installation.
1. New Drawings may be required when a Change Order is issued as a result of accepting an alternate, substitution, or other modification.
  2. Consult Engineer for proper scale and scope of detailing and notations required to record the actual physical installation and its relation to other construction. Integrate newly prepared record Drawings into record Drawing sets; comply with procedures for formatting, organizing, copying, binding, and submitting.
- C. Format: Identify and date each record Drawing; include the designation "PROJECT RECORD DRAWING" in a prominent location.
1. Record Prints: Organize record prints and newly prepared record Drawings into manageable sets. Bind each set with durable paper cover sheets. Include identification on cover sheets.
  2. Identification: As follows:
    - a. Project name.
    - b. Date.
    - c. Designation "PROJECT RECORD DRAWINGS."
    - d. Name of Engineer.
    - e. Name of Contractor.

## 2.2 RECORD SPECIFICATIONS

- A. Preparation: Mark Specifications to indicate the actual product installation where installation varies from that indicated in Specifications, addenda, and contract modifications.
1. Give particular attention to information on concealed products and installations that cannot be readily identified and recorded later.
  2. Mark copy with the proprietary name and model number of products, materials, and equipment furnished, including substitutions and product options selected.
  3. Record the name of manufacturer, supplier, Installer, and other information necessary to provide a record of selections made.
  4. For each principal product, indicate whether record Product Data has been submitted in operation and maintenance manuals instead of submitted as record Product Data.
  5. Note related Change Orders and record Drawings where applicable.
- B. Format: Submit record Specifications as paper copy.

## 2.3 RECORD PRODUCT DATA

- A. Preparation: Mark Product Data to indicate the actual product installation where installation varies substantially from that indicated in Product Data submittal.

1. Give particular attention to information on concealed products and installations that cannot be readily identified and recorded later.
2. Include significant changes in the product delivered to Project site and changes in manufacturer's written instructions for installation.
3. Note related Change Orders and record Drawings where applicable.

B. Format: Submit record Product Data as paper copy.

1. Include record Product Data directory organized by Specification Section number and title, electronically linked to each item of record Product Data.

#### 2.4 MISCELLANEOUS RECORD SUBMITTALS

A. Assemble miscellaneous records required by other Specification Sections for miscellaneous record keeping and submittal in connection with actual performance of the Work. Bind or file miscellaneous records and identify each, ready for continued use and reference.

B. Format: Submit miscellaneous record submittals as paper copy.

1. Include miscellaneous record submittals directory organized by Specification Section number and title, electronically linked to each item of miscellaneous record submittals.

### PART 3 - EXECUTION

#### 3.1 RECORDING AND MAINTENANCE

- A. Recording: Maintain one copy of each submittal during the construction period for project record document purposes. Post changes and revisions to project record documents as they occur; do not wait until end of Project.
- B. Maintenance of Record Documents and Samples: Store record documents and Samples in the field office apart from the Contract Documents used for construction. Do not use project record documents for construction purposes. Maintain record documents in good order and in a clean, dry, legible condition, protected from deterioration and loss. Provide access to project record documents for Engineer's reference during normal working hours.

END OF SECTION 017810

## SECTION 033000 - CAST-IN-PLACE CONCRETE

### PART 1 - GENERAL

#### 1.1 SUMMARY

- A. Section includes cast-in-place concrete, including formwork, reinforcement, concrete materials, mixture design, placement procedures, and finishes.
- B. Related Requirements:
  - 1. Section 312000 "Earth Moving" for drainage fill under slabs-on-grade.

#### 1.2 ACTION SUBMITTALS

- A. Product Data: For each type of product.
- B. Design Mixtures: For each concrete mixture.
- C. Steel Reinforcement Shop Drawings: Placing Drawings that detail fabrication, bending, and placement.

#### 1.3 INFORMATIONAL SUBMITTALS

- A. Material certificates.
- B. Material test reports.
- C. Formwork Shop Drawings: Prepared by or under the supervision of a qualified professional engineer, detailing fabrication, assembly, and support of formwork.
- D. Floor surface flatness and levelness measurements indicating compliance with specified tolerances.

#### 1.4 QUALITY ASSURANCE

- A. Manufacturer Qualifications: A firm experienced in manufacturing ready-mixed concrete products and that complies with ASTM C 94/C 94M requirements for production facilities and equipment.
- B. Testing Agency Qualifications: An independent agency, **acceptable to authorities having jurisdiction**, qualified according to ASTM C 1077 and ASTM E 329 for testing indicated.

## **1.5 PRECONSTRUCTION TESTING**

- A. Preconstruction Testing Service: Engage a qualified testing agency to perform preconstruction testing on concrete mixtures.

## **1.6 FIELD CONDITIONS**

- A. Cold-Weather Placement: Comply with ACI 306.1.
  - 1. Do not use calcium chloride, salt, or other materials containing antifreeze agents or chemical accelerators unless otherwise specified and approved in mixture designs.
- B. Hot-Weather Placement: Comply with ACI 301.

## **PART 2 - PRODUCTS**

### **2.1 CONCRETE, GENERAL**

- A. ACI Publications: Comply with the following unless modified by requirements in the Contract Documents:
  - 1. ACI 301.
  - 2. ACI 117.

### **2.2 FORM-FACING MATERIALS**

- A. Smooth-Formed Finished Concrete: Form-facing panels that provide continuous, true, and smooth concrete surfaces. Furnish in largest practicable sizes to minimize number of joints.
- B. Rough-Formed Finished Concrete: Plywood, lumber, metal, or another approved material. Provide lumber dressed on at least two edges and one side for tight fit.

### **2.3 STEEL REINFORCEMENT**

- A. Reinforcing Bars: ASTM A 615/A 615M, Grade 60, deformed.
- B. Low-Alloy-Steel Reinforcing Bars: ASTM A 706/A 706M, deformed.
- C. Plain-Steel Welded-Wire Reinforcement: ASTM A 1064/A 1064M, plain, fabricated from as-drawn steel wire into flat sheets.
- D. Deformed-Steel Welded-Wire Reinforcement: ASTM A 1064/A 1064M, flat sheet.
- E. Galvanized-Steel Welded-Wire Reinforcement: ASTM A 1064/A 1064M, plain, fabricated from galvanized-steel wire into flat sheets.

- F. Bar Supports: Bolsters, chairs, spacers, and other devices for spacing, supporting, and fastening reinforcing bars and welded-wire reinforcement in place. Manufacture bar supports from steel wire, plastic, or precast concrete according to CRSI's "Manual of Standard Practice."

## 2.4 CONCRETE MATERIALS

### A. Cementitious Materials:

1. Portland Cement: ASTM C 150/C 150M, **Type I/II, gray.**
2. Fly Ash: ASTM C 618, **Class F or C.**
3. Slag Cement: ASTM C 989/C 989M, Grade 100 or 120.

### B. Normal-Weight Aggregates: ASTM C 33/C 33M, graded.

1. Maximum Coarse-Aggregate Size: **1 inch** nominal.
2. Fine Aggregate: Free of materials with deleterious reactivity to alkali in cement.

### C. Air-Entraining Admixture: ASTM C 260/C 260M.

### D. Chemical Admixtures: Certified by manufacturer to be compatible with other admixtures and that do not contribute water-soluble chloride ions exceeding those permitted in hardened concrete. Do not use calcium chloride or admixtures containing calcium chloride.

1. Water-Reducing Admixture: ASTM C 494/C 494M, Type A.
2. Retarding Admixture: ASTM C 494/C 494M, Type B.
3. Water-Reducing and Retarding Admixture: ASTM C 494/C 494M, Type D.
4. High-Range, Water-Reducing Admixture: ASTM C 494/C 494M, Type F.
5. High-Range, Water-Reducing and Retarding Admixture: ASTM C 494/C 494M, Type G.
6. Plasticizing and Retarding Admixture: ASTM C 1017/C 1017M, Type II.

### E. Water: ASTM C 94/C 94M **and potable.**

## 2.5 WATERSTOPS

### A. Flexible PVC Waterstops: CE CRD-C 572, [ **with factory-installed metal eyelets,**] for embedding in concrete to prevent passage of fluids through joints. Factory fabricate corners, intersections, and directional changes.

1. Bometals, Inc.
2. Greenstreak.
3. Meadows, W. R., Inc.
4. Murphy, Paul Plastics Co.
5. Progress Unlimited, Inc.
6. Tamms Industries, Inc.
7. Vinylex Corp.

### B. Self-Expanding Butyl Strip Waterstops: Manufactured rectangular or trapezoidal strip, butyl rubber with sodium bentonite or other hydrophilic polymers, for adhesive bonding to concrete, 3/4 by 1 inch.

1. Colloid Environmental Technologies Company; Volclay Waterstop-RX.

2. Concrete Sealants Inc.; Conseal CS-231.
3. Greenstreak; Swellstop.
4. Henry Company, Sealants Division; Hydro-Flex.
5. JP Specialties, Inc.; Earthshield Type 20.
6. Progress Unlimited, Inc.; Superstop.
7. TCMiraDRI; Mirastop.

## **2.6 VAPOR RETARDERS**

- A. Sheet Vapor Retarder: Polyethylene sheet, ASTM D 4397, not less than 15 mils thick.

## **2.7 CURING MATERIALS**

- A. Evaporation Retarder: Waterborne, monomolecular film forming, manufactured for application to fresh concrete.
  1. Axim Concrete Technologies; Cimfilm.
  2. Burke by Edoco; BurkeFilm.
  3. ChemMasters; Spray-Film.
  4. Conspec Marketing & Manufacturing Co., Inc., a Dayton Superior Company; Aquafilm.
  5. Dayton Superior Corporation; Sure Film.
  6. Euclid Chemical Company (The); Eucobar.
- B. Absorptive Cover: AASHTO M 182, Class 2, burlap cloth made from jute or kenaf, weighing approximately 9 oz./sq. yd. when dry.
- C. Moisture-Retaining Cover: ASTM C 171, polyethylene film or white burlap-polyethylene sheet.
- D. Water: Potable.
- E. Clear, Waterborne, Membrane-Forming Curing Compound: ASTM C 309, Type 1, Class B, dissipating.
  1. Anti-Hydro International, Inc.; AH Curing Compound #2 DR WB.
  2. Burke by Edoco; Aqua Resin Cure.
  3. ChemMasters; Safe-Cure Clear.
  4. Conspec Marketing & Manufacturing Co., Inc., a Dayton Superior Company; W.B. Resin Cure.
  5. Dayton Superior Corporation; Day Chem Rez Cure (J-11-W).
  6. Euclid Chemical Company (The); Kurez DR VOX.
  7. Kaufman Products, Inc.; Thinfilm 420.
  8. Lambert Corporation; Aqua Kure-Clear.
  9. L&M Construction Chemicals, Inc.; L&M Cure R.
  10. Meadows, W. R., Inc.; 1100 Clear.

## **2.8 RELATED MATERIALS**

- A. Expansion- and Isolation-Joint-Filler Strips: ASTM D 1751, asphalt-saturated cellulosic fiber or ASTM D 1752, cork or self-expanding cork.
- B. Semirigid Joint Filler: Two-component, semirigid, 100 percent solids, [epoxy resin with a Type A shore durometer hardness of 80] [aromatic polyurea with a Type A shore durometer hardness range of 90 to 95] per ASTM D 2240.
- C. Bonding Agent: ASTM C 1059, Type II, non-redispersible, acrylic emulsion or styrene butadiene.
- D. Epoxy Bonding Adhesive: ASTM C 881, two-component epoxy resin, capable of humid curing and bonding to damp surfaces, of class suitable for application temperature and of grade to suit requirements, and as follows:
  - 1. Types I and II, non-load bearing, for bonding hardened or freshly mixed concrete to hardened concrete.

## **2.9 REPAIR MATERIALS**

- A. Repair Underlayment: Cement-based, polymer-modified, self-leveling product that can be applied in thicknesses from 1/8 inch (3.2 mm) and that can be feathered at edges to match adjacent floor elevations.
  - 1. Cement Binder: ASTM C 150, portland cement or hydraulic or blended hydraulic cement as defined in ASTM C 219.
  - 2. Primer: Product of underlayment manufacturer recommended for substrate, conditions, and application.
  - 3. Aggregate: Well-graded, washed gravel, 1/8 to 1/4 inch (3.2 to 6 mm) or coarse sand as recommended by underlayment manufacturer.
  - 4. Compressive Strength: Not less than [4100 psi (29 MPa)] <Insert strength> at 28 days when tested according to ASTM C 109/C 109M.
- B. Repair Overlay: Cement-based, polymer-modified, self-leveling product that can be applied in thicknesses from 1/8 inch (3.2 mm) and that can be feathered at edges to match adjacent floor elevations.
  - 1. Cement Binder: ASTM C 150, portland cement or hydraulic or blended hydraulic cement as defined in ASTM C 219.
  - 2. Primer: Product of topping manufacturer recommended for substrate, conditions, and application
  - 3. Aggregate: Well-graded, washed gravel, 1/8 to 1/4 inch (3.2 to 6 mm) or coarse sand as recommended by topping manufacturer.
  - 4. Compressive Strength: Not less than 5000 psi (34.5 MPa) at 28 days when tested according to ASTM C 109/C 109M.

## **2.10 CONCRETE MIXTURES, GENERAL**

- A. Prepare design mixtures for each type and strength of concrete, proportioned on the basis of laboratory trial mixture or field test data, or both, according to ACI 301.



- B. Cementitious Materials: Fly Ash : 25 % max.
- C. Admixtures: Use admixtures according to manufacturer's written instructions.
  - 1. Use water-reducing and -retarding admixture when required by high temperatures, low humidity, or other adverse placement conditions.
  - 2. Use water-reducing admixture in pumped concrete, concrete for heavy-use industrial slabs and parking structure slabs, concrete required to be watertight, and concrete with a w/c ratio below 0.50.

## **2.11 CONCRETE MIXTURES FOR BUILDING ELEMENTS**

- A. Normal-Weight Concrete:
  - 1. Minimum Compressive Strength: **As indicated** at 28 days.
  - 2. Maximum W/C Ratio: **0.45**.
  - 3. Slump Limit: **8 inches for concrete with verified slump of 2 to 4 inches before adding high-range water-reducing admixture or plasticizing admixture**, plus or minus 1 inch.
  - 4. Air Content: Do not allow air content of trowel-finished floors to exceed 3 percent.
  - 5.

## **2.12 FABRICATING REINFORCEMENT**

- A. Fabricate steel reinforcement according to CRSI's "Manual of Standard Practice."

## **2.13 CONCRETE MIXING**

- A. Ready-Mixed Concrete: Measure, batch, mix, and deliver concrete according to ASTM C 94/C 94M, and furnish batch ticket information.
  - 1. When air temperature is between 85 and 90 deg F, reduce mixing and delivery time from 1-1/2 hours to 75 minutes; when air temperature is above 90 deg F, reduce mixing and delivery time to 60 minutes.

## **PART 3 - EXECUTION**

### **3.1 FORMWORK INSTALLATION**

- A. Design, erect, shore, brace, and maintain formwork, according to ACI 301, to support vertical, lateral, static, and dynamic loads, and construction loads that might be applied, until structure can support such loads.
- B. Construct formwork so concrete members and structures are of size, shape, alignment, elevation, and position indicated, within tolerance limits of ACI 117.
- C. **Chamfer** exterior corners and edges of permanently exposed concrete.

### 3.2 EMBEDDED ITEM INSTALLATION

- A. Place and secure anchorage devices and other embedded items required for adjoining work that is attached to or supported by cast-in-place concrete. Use setting drawings, templates, diagrams, instructions, and directions furnished with items to be embedded.

### 3.3 VAPOR-RETARDER INSTALLATION

- A. Sheet Vapor Retarders: Place, protect, and repair sheet vapor retarder according to ASTM E 1643 and manufacturer's written instructions.
  - 1. Lap joints 6 inches and seal with manufacturer's recommended tape.

### 3.4 STEEL REINFORCEMENT INSTALLATION

- A. General: Comply with CRSI's "Manual of Standard Practice" for fabricating, placing, and supporting reinforcement.
  - 1. Do not cut or puncture vapor retarder. Repair damage and reseal vapor retarder before placing concrete.

### 3.5 JOINTS

- A. General: Construct joints true to line with faces perpendicular to surface plane of concrete.
- B. Construction Joints: Install so strength and appearance of concrete are not impaired, at locations indicated or as approved by Architect.
  - 1. Place joints perpendicular to main reinforcement. Continue reinforcement across construction joints, unless otherwise indicated. Do not continue reinforcement through sides of strip placements of floors and slabs.
  - 2. Form keyed joints as indicated. Embed keys at least 1-1/2 inches (38 mm) into concrete.
  - 3. Locate joints for beams, slabs, joists, and girders in the middle third of spans. Offset joints in girders a minimum distance of twice the beam width from a beam-girder intersection.
  - 4. Locate horizontal joints in walls and columns at underside of floors, slabs, beams, and girders and at the top of footings or floor slabs.
  - 5. Space vertical joints in walls **as indicated**. Locate joints beside piers integral with walls, near corners, and in concealed locations where possible.
  - 6. Use a bonding agent at locations where fresh concrete is placed against hardened or partially hardened concrete surfaces.
- C. Contraction Joints in Slabs-on-Grade: Form weakened-plane contraction joints, sectioning concrete into areas as indicated. Construct contraction joints for a depth equal to at least **one-third** of concrete thickness as follows:
  - 1. Sawed Joints: Form contraction joints with power saws equipped with shatterproof abrasive or diamond-rimmed blades. Cut 1/8-inch- wide joints into concrete when cutting action does not tear, abrade, or otherwise damage surface and before concrete develops random contraction cracks.

- D. Isolation Joints in Slabs-on-Grade: After removing formwork, install joint-filler strips at slab junctions with vertical surfaces, such as column pedestals, foundation walls, grade beams, and other locations, as indicated.

### 3.6 WATERSTOP INSTALLATION

- A. Waterstops: Install in construction joints and at other locations indicated, according to manufacturer's written instructions.

### 3.7 CONCRETE PLACEMENT

- A. Before placing concrete, verify that installation of formwork, reinforcement, and embedded items is complete and that required inspections are completed.
- B. Deposit concrete continuously in one layer or in horizontal layers of such thickness that no new concrete is placed on concrete that has hardened enough to cause seams or planes of weakness. If a section cannot be placed continuously, provide construction joints as indicated. Deposit concrete to avoid segregation.
  - 1. Consolidate placed concrete with mechanical vibrating equipment according to ACI 301.

### 3.8 FINISHING FORMED SURFACES

- A. Rough-Formed Finish: As-cast concrete texture imparted by form-facing material with tie holes and defects repaired and patched. Remove fins and other projections that exceed specified limits on formed-surface irregularities.
  - 1. Apply to concrete surfaces **not exposed to public view**.
- B. Smooth-Formed Finish: As-cast concrete texture imparted by form-facing material, arranged in an orderly and symmetrical manner with a minimum of seams. Repair and patch tie holes and defects. Remove fins and other projections that exceed specified limits on formed-surface irregularities.
  - 1. Apply to concrete surfaces **exposed to public view, to receive a rubbed finish, or to be covered with a coating or covering material applied directly to concrete**.
- C. Rubbed Finish: Apply the following to smooth-formed-finished as-cast concrete where indicated:
  - 1. Smooth-Rubbed Finish: Not later than one day after form removal, moisten concrete surfaces and rub with carborundum brick or another abrasive until producing a uniform color and texture. Do not apply cement grout other than that created by the rubbing process.
- D. Related Unformed Surfaces: At tops of walls, horizontal offsets, and similar unformed surfaces adjacent to formed surfaces, strike off smooth and finish with a texture matching adjacent

formed surfaces. Continue final surface treatment of formed surfaces uniformly across adjacent unformed surfaces unless otherwise indicated.

### 3.9 FINISHING FLOORS AND SLABS

- A. General: Comply with ACI 302.1R recommendations for screeding, restraightening, and finishing operations for concrete surfaces. Do not wet concrete surfaces.
- B. Scratch Finish: While still plastic, texture concrete surface that has been screeded and bull-floated or darbied. Use stiff brushes, brooms, or rakes to produce a profile amplitude of 1/4 inch in one direction.
1. Apply scratch finish to surfaces **[indicated] [and] [to receive concrete floor toppings] [to receive mortar setting beds for bonded cementitious floor finishes] <Insert locations>**.
- C. Float Finish: Consolidate surface with power-driven floats or by hand floating if area is small or inaccessible to power-driven floats. Restraighten, cut down high spots, and fill low spots. Repeat float passes and restraightening until surface is left with a uniform, smooth, granular texture.
1. Apply float finish to surfaces **[indicated] [to receive trowel finish] [and] [to be covered with fluid-applied or sheet waterproofing, built-up or membrane roofing, or sand-bed terrazzo] <Insert locations>**.
- D. Trowel Finish: After applying float finish, apply first troweling and consolidate concrete by hand or power-driven trowel. Continue troweling passes and restraighten until surface is free of trowel marks and uniform in texture and appearance. Grind smooth any surface defects that would telegraph through applied coatings or floor coverings.
1. Apply a trowel finish to surfaces **[indicated] [exposed to view] [or] [to be covered with resilient flooring, carpet, ceramic or quarry tile set over a cleavage membrane, paint, or another thin-film-finish coating system] <Insert locations>**.
  2. Finish and measure surface, so gap at any point between concrete surface and an unveled, freestanding, 10-ft.- long straightedge resting on two high spots and placed anywhere on the surface does not exceed **[1/4 inch] [3/16 inch] [1/8 inch]**.
- E. Trowel and Fine-Broom Finish: Apply a first trowel finish to surfaces **[indicated] [where ceramic or quarry tile is to be installed by either thickset or thinset method]**. While concrete is still plastic, slightly scarify surface with a fine broom.
1. Comply with flatness and levelness tolerances for trowel-finished floor surfaces.
- F. Broom Finish: Apply a broom finish to exterior concrete platforms, steps, ramps, and elsewhere as indicated.
1. Immediately after float finishing, slightly roughen trafficked surface by brooming with fiber-bristle broom perpendicular to main traffic route. Coordinate required final finish with Architect before application.

### 3.10 CONCRETE PROTECTING AND CURING

- A. General: Protect freshly placed concrete from premature drying and excessive cold or hot temperatures. Comply with ACI 306.1 for cold-weather protection and ACI 301 for hot-weather protection during curing.
- B. Evaporation Retarder: Apply evaporation retarder to unformed concrete surfaces if hot, dry, or windy conditions cause moisture loss approaching 0.2 lb/sq. ft. x h before and during finishing operations. Apply according to manufacturer's written instructions after placing, screeding, and bull floating or darbying concrete, but before float finishing.
- C. Formed Surfaces: Cure formed concrete surfaces, including underside of beams, supported slabs, and other similar surfaces. If forms remain during curing period, moist cure after loosening forms. If removing forms before end of curing period, continue curing for remainder of curing period.
- D. Cure concrete according to ACI 308.1, by one or a combination of the following methods:
  - 1. Moisture Curing: Keep surfaces continuously moist for not less than seven days.
  - 2. Moisture-Retaining-Cover Curing: Cover concrete surfaces with moisture-retaining cover for curing concrete, placed in widest practicable width, with sides and ends lapped at least 12 inches, and sealed by waterproof tape or adhesive. Cure for not less than seven days. Immediately repair any holes or tears during curing period, using cover material and waterproof tape.
  - 3. Curing Compound: Apply uniformly in continuous operation by power spray or roller according to manufacturer's written instructions. Recoat areas subjected to heavy rainfall within three hours after initial application. Maintain continuity of coating and repair damage during curing period.
    - a. Removal: After curing period has elapsed, remove curing compound without damaging concrete surfaces by method recommended by curing compound manufacturer **unless manufacturer certifies curing compound does not interfere with bonding of floor covering used on Project.**
  - 4. Curing and Sealing Compound: Apply uniformly to floors and slabs indicated in a continuous operation by power spray or roller according to manufacturer's written instructions. Recoat areas subjected to heavy rainfall within three hours after initial application. Repeat process 24 hours later and apply a second coat. Maintain continuity of coating and repair damage during curing period.

### 3.11 CONCRETE SURFACE REPAIRS

- A. Defective Concrete: Repair and patch defective areas when approved by Architect. Remove and replace concrete that cannot be repaired and patched to Architect's approval.

### 3.12 FIELD QUALITY CONTROL

- A. Special Inspections: Owner will engage a **special inspector and qualified testing and inspecting agency** to perform field tests and inspections and prepare test reports.

**END OF SECTION 033000**

**This page intentionally left blank.**

## SECTION 311000 - SITE CLEARING

### PART 1 - GENERAL

#### 1.1 SUMMARY

##### A. Section Includes:

1. Removing surface debris.
2. Removing designated paving, curbs, and etc.
3. Removing designated trees, shrubs, and other plant life.
4. Removing abandoned utilities.
5. Excavating topsoil.

#### 1.2 UNIT PRICE - MEASUREMENT AND PAYMENT

##### A. Site Clearing:

1. Site Clearing is not a pay item. It shall be considered an integral part of the construction, and unit prices bid for items with which Site Clearing is connected shall be full compensation for this item and for all labor, materials, and equipment required to complete the item in accordance with the drawings and specifications.
2. Includes clearing Site, loading and removing waste materials from site, applying herbicide to designated plant life.

#### 1.3 SUBMITTALS

- ##### A. Product Data: Herbicide; indicate compliance with applicable codes for environmental protection.

#### 1.4 SUSTAINABLE DESIGN SUBMITTALS

- ##### A. Manufacturer's Certificate: Products meet or exceed specified sustainable design requirements.

##### 1. Materials Resources Certificates:

- a. Source for regional materials and distance from Project Site.

- ##### B. Product Cost Data: Verify compliance with Project sustainable design requirements. Exclude cost of labor and equipment to install products. Provide cost data for following products:

1. Regional products.



## 1.5 QUALITY ASSURANCE

- A. Conform to applicable local, state, and federal codes for environmental requirements, disposal of debris, burning debris on Site, and use of herbicide.
- B. Perform Work according to all local, state, and federal standards.

## PART 2 - PRODUCTS

### 2.1 SUSTAINABILITY CHARACTERISTICS

- A. Materials and Resources Characteristics:
  - 1. Regional Materials: Extracted, processed, and manufactured within 100 miles of Project Site.

### 2.2 MATERIALS

- A. Herbicide: Approved by authority having jurisdiction.

## PART 3 - EXECUTION

### 3.1 EXAMINATION

- A. Verify existing plant life designated to remain is tagged or identified.
- B. Identify salvage area for placing removed materials.

### 3.2 PREPARATION

- A. Call local utility line information service at not less than three (3) working days before performing Work.
  - 1. Request underground utilities to be located and marked within and surrounding construction areas.

### 3.3 PROTECTION

- A. Locate, identify, and protect utilities indicated to remain from damage.
- B. Protect benchmarks, survey control points, and existing structures from damage or displacement.

### 3.4 CLEARING

- A. Clear areas required for access to Site and execution of Work to minimum depth as required by drawings and specifications.
- B. Remove trees and shrubs as indicated. Remove stumps, main root ball, root system to a completely, surface rock, and all necessary debris.
- C. Clear undergrowth and deadwood, without disturbing subsoil.
- D. Apply herbicide to remaining stumps to inhibit growth.

### 3.5 REMOVAL

- A. Remove debris, rock, and extracted plant life from Site.
- B. Partially remove paving, curbs, etc. as indicated. Neatly saw cut edges at right angle to surface.
- C. Remove abandoned utilities. Indicated removal termination point for underground utilities on record documents.
- D. Continuously clean-up and remove waste materials from Site. Do not allow materials to accumulate on Site.
- E. Do not burn or bury materials on Site. Leave Site in clean condition.

### 3.6 TOPSOIL EXCAVATION

- A. Excavate topsoil from areas to be further excavated, relandscaped, or regraded, marked areas without mixing with foreign materials for use in finish grading.
- B. Do not excavate wet topsoil.
- C. Stockpile in area designated on Site to depth not exceeding 8 feet and protect from erosion. Stockpile material and cover over with same material until disposal.
- D. Remove excess topsoil not intended for reuse from Site.

END OF SECTION 311000

**This page intentionally left blank.**

## SECTION 312316 - EXCAVATION

### PART 1 - GENERAL

#### 1.1 SUMMARY

##### A. Section Includes:

1. Soil densification.
2. Excavating for building foundations.
3. Excavating for paving, roads, and parking areas.
4. Excavating for slabs-on-grade.
5. Excavating for Site structures.
6. Excavating for landscaping.

#### 1.2 UNIT PRICE - MEASUREMENT AND PAYMENT

##### A. Excavating Soil Materials:

1. Excavation is not a pay item. It shall be considered an integral part of the construction, and unit prices bid for items with which Excavation is connected shall be full compensation for this item and for all labor, materials, and equipment required to complete the item in accordance with the drawing and specifications.
2. Includes general excavating to required elevations, loading and placing materials in stockpile, removing from Site. Over-Excavating: Payment will not be made for over-excavated Work nor for replacement materials.

#### 1.3 SUBMITTALS

- A. Excavation Protection Plan: Describe sheeting, shoring, and bracing materials and installation required to protect excavations and adjacent structures and property; include structural calculations to support plan.
- B. Shop Drawings: Indicate soil densification grid for each size and configuration footing requiring soils densification.

#### 1.4 QUALITY ASSURANCE

- A. Perform Work according to governing standards.
- B. Prepare excavation protection plan under direct supervision of professional engineer experienced in design of this Work and licensed in State of Alabama.

## PART 2 - PRODUCTS

2.1 Not Used.

## PART 3 - EXECUTION

### 3.1 PREPARATION

- A. Call local utility line information service not less than three working days before performing Work.
  - 1. Request underground utilities to be located and marked within and surrounding construction areas.
- B. Identify required lines, levels, contours, and datum.
- C. Notify utility company to remove and relocate utilities.
- D. Protect utilities indicated to remain from damage.
- E. Protect plant life, lawns, rock outcroppings, and other features remaining as portion of final landscaping.
- F. Protect bench marks, survey control points, existing structures, fences, sidewalks, paving, and curbs from excavating equipment and vehicular traffic.

### 3.2 SOIL DENSIFICATION - VIBRO-COMPACTION

- A. Vibro-compact substrates below footing bearing surfaces for footings as indicated, before excavating Site.
- B. Densify existing subsoils with relative density rating of compact to dense to attain relative density rating of very dense.
  - 1. Densify subsoils to depth as required by design reports
- C. Densification Equipment:
  - 1. Depth Vibrator: Poker type with follower tubes with visible marking every 12 inches to enable insertion depth measurement.
  - 2. Motion: radial in horizontal plane.
  - 3. Eccentric Force: As required
  - 4. Data Acquisition System: Record amps or pressure of vibrator motor over time and depth.
- D. Perform densification in presence of Geotechnical Engineer directly under each footing with vibrator inserted in grid pattern at maximum 6 feet o.c.

1. Arrange compaction grid for each footing for maximum number of insertion points and with outermost insertion points within bearing area of footings.
  2. Adjust compaction grid arrangement and spacing as directed by Geotechnical Engineer to achieve required densification.
- E. Insert vibrator to maximum specified depth. Densify soils for 30 seconds or other time as directed by Geotechnical Engineer. Withdraw vibrator every 12 inches (300 mm) increments and repeat densification at each increment.
1. When subsurface obstruction prevents vibrator insertion to specified depth, request instructions from Geotechnical Engineer to compensate for obstruction.
- F. Tolerances:
1. Maximum Deviation from Center of Completed Compaction: 8 inches from indicated position.
  2. Maximum Deviation from Vertical: 4 degrees during vibrator insertion.

### 3.3 EXCAVATION

- A. Underpin adjacent structures which may be damaged by excavation Work.
- B. Excavate subsoil to accommodate building foundations, and construction operations.
- C. Excavate to working elevation for piling Work.
- D. Compact disturbed load bearing soil in direct contact with foundations to original bearing capacity; perform compaction according to Section 312323.
- E. Slope banks with machine to angle of repose or less until shored.
- F. Do not interfere with 45 degree bearing splay of foundations.
- G. Grade top perimeter of excavation to prevent surface water from draining into excavation.
- H. Trim excavation. Remove loose matter.
- I. Remove lumped subsoil, boulders, and rock up to 1/3 cu yd measured by volume. Remove larger material as specified in Section 312323.
- J. Notify Architect/Engineer of unexpected subsurface conditions.
- K. Correct areas over excavated with as directed by Architect/Engineer.
- L. Remove excess and unsuitable material from Site.
- M. Repair or replace items indicated to remain damaged by excavation.

3.4 FIELD QUALITY CONTROL

- A. Request inspection of excavation and controlled fill operations according to governing code.
- B. Request visual inspection of bearing surfaces by inspection agency before installing subsequent Work.

3.5 PROTECTION

- A. Prevent displacement or loose soil from falling into excavation; maintain soil stability.
- B. Protect bottom of excavations and soil adjacent to and beneath foundation from freezing.
- C. Protect structures, utilities and other facilities from damage caused by settlement, lateral movement, undermining, washout, and other hazards created by earth operations.

END OF SECTION 312316

## SECTION 312316.01 – UNCLASSIFIED EXCAVATION FOR UTILITIES

### PART 1 - GENERAL

#### 1.1 SECTION INCLUDES

- A. The work called for by this section shall consist of clearing and grubbing, loosening, loading, removing, and disposing of, in the specified manner, all wet and dry materials (including rock) encountered that must be removed for construction purposes; furnishing, placing, and maintaining all sheeting, shoring, bracing, and timbering necessary for the proper protection and safety of the work, the workmen, the public, and adjacent property and improvements; the dewatering of trenches and other excavations; the preparation of fills and embankments; the removal of unsuitable material from outside the normal limits of excavation and, where ordered by the Engineer, their replacement with suitable materials; and all other grading or excavation work incidental to or necessary for the work. This work shall be performed as specified below.

#### 1.2 QUALITY ASSURANCE

- A. Codes and Standards: Perform excavation work in compliance with applicable requirements of governing authorities having jurisdiction.

#### 1.3 JOB CONDITIONS

- A. Existing Utilities: Locate existing underground utilities in areas of work. If utilities are to remain in place, provide adequate means of support and protection during earthwork operations.
- B. Should uncharted, or incorrectly charted, piping or other utilities be encountered during excavation, consult utility owner immediately for directions. Cooperate with Owner and utility companies in keeping respective services and facilities in operation. Repair damaged utilities to satisfaction of utility owner.
- C. Do not interrupt existing utilities serving facilities occupied and used by Owner or others, during occupied hours, except when permitted in writing by Engineer and then only after acceptable temporary utility services have been provided.
  - 1. Provide minimum of 48-hour notice to Engineer, and receive written notice to proceed before interrupting any utility.
- D. Demolish and completely remove from site existing underground utilities indicated to be removed. Coordinate with utility companies for shut-off of services if lines are active.
- E. Use of Explosives: Do not bring explosives onto site or use in work.
- F. Preserve from damage surveying monuments, property pins, and similar items. If disturbed or damaged by construction operations, pay the cost of restoration by a registered surveyor.
- G. Costs for locating, maintaining, and protecting existing facilities shall be merged in the unit price of the pipeline.



- H. Protect structures, utilities, sidewalks, pavements, and other facilities from damage caused by settlement, lateral movement, undermining, washout and other hazards created by earthwork operations.

#### 1.4 PROTECTION

- A. Protect excavations by shoring, bracing, sheet piling, underpinning, or other methods required to prevent cave-in or loose soil from falling into excavation.
- B. Underpin adjacent structures which may be damaged by excavation work, including service utilities and pipe chases.
- C. Notify Engineer of unexpected subsurface conditions and discontinue work in affected area until notification to resume work.
- D. Protect bottom of excavations and soil adjacent to and beneath foundations from frost.
- E. Grade excavation top perimeter to prevent surface water run-off into excavation.
- F. Protect excavation bottoms against freezing when atmospheric temperature is less than 35°F.
- G. Protect trees, shrubbery, fences, poles, and all other property and surface structures during construction operations unless their removal for purposes of construction is authorized by Engineer. Fences, poles, or other man made surface improvements which are moved or disturbed shall be restored to the original conditions after construction is completed. Trees, shrubbery, or other vegetation which are approved for removal in order to facilitate construction operations shall be removed completely, including stumps and main roots. Responsibility for damage or claims for damage caused by construction operations to shrubbery or other landscape improvements which were not authorized for removal by Engineer shall be assumed by Contractor.

#### 1.5 SAFETY

- A. Barricades, Guards, and Safety Provisions: Place and maintain barricades, fences, construction signs, torches, flashing lights, lanterns, guards, and flagmen as required during the progress of the construction work and until it is safe for traffic to use the roads and streets. Material piles, equipment, and pipe which may serve as obstructions to traffic shall be enclosed by fences or barricades and shall be protected by proper lights when the visibility is poor. The rules and regulations of OSHA and appropriate authorities respecting safety provisions shall be observed.
- B. Structure Protection: Provide temporary support, protection, and maintenance of underground and surface structures, drains, sewers, and other obstructions encountered during the progress of the work. Structures which may have been disturbed shall be restored upon completion of the work.

#### 1.6 DEVIATIONS OCCASIONED BY STRUCTURES OR UTILITIES

- A. Wherever obstructions are encountered during the progress of the work which occupy the space required for the pipeline, Engineer shall have the authority to change the drawings and order a deviation from the line and grade or arrange with the Owners of the structures for the removal, relocation, or reconstruction of the obstructions.

- B. Where gas, water, telephone, electrical, or other existing utilities directly interfere with the vertical or horizontal alignment of the pipeline, Engineer will order a change in grade or alignment or will arrange with the Owners of the utilities for their removal.

#### 1.7 DUST CONTROL

- A. When ordered by Engineer, furnish and distribute over traveled road surfaces which have not been fully restored an application of regular flake calcium chloride having a minimum calcium chloride content of 77 percent, or a brine solution consisting of 1.5 pound of calcium chloride and one pound of sodium chloride per 100 gallons of water applied by a pressure distributor. Rate of application shall be 3 pounds/square yard for the flake calcium chloride, and 0.48 gallon/square yard for brine solution.
- B. Whenever dust control is necessary, it shall be considered an integral part of the work, and no separate payment shall be made for it.

#### 1.8 MAINTENANCE OF TRAFFIC AND CLOSING OF STREETS

- A. Carry on the work in a manner which will cause a minimum of interruption to traffic, and do not close to through travel more than two consecutive blocks, including the cross street intersected. Where traffic must cross open trenches, provide bridges at street intersections and driveways. Post signs indicating that a street is closed and necessary detour signs for the proper maintenance of traffic. Before closing any streets notify responsible municipal authorities.

### PART 2 - PRODUCTS

#### 2.1 SOIL MATERIALS

- A. Satisfactory soil materials are defined as those complying with ASTM D2487 unified soil classification system groups GW, GP, GM, SM, SW and SP.
- B. Unsatisfactory soil materials are defined as those complying with ASTM D2487 unified soil classification system groups GC, SC, ML, MH, CL, CH, OL, OH and PT.
- C. Drainage Fill: Washed, evenly graded mixture of crushed stone, or crushed or uncrushed gravel, with 100% passing a 1-1/2" sieve and not more than 5% passing a No. 4 sieve.
- D. Backfill and Fill Materials: Satisfactory soil materials of clay, rock or gravel not larger than 2" in any dimension, free of debris, waste, frozen materials, vegetable and other deleterious matter.

### PART 3 - EXECUTION

#### 3.1 PREPARATION OF THE SITE

- A. Before starting construction, remove from the work site all vegetable growth (except as hereinafter excluded), debris, and/or other objectionable matter as well as any buildings and/or other structures that the drawings and/or the Engineer specifically indicate are to be removed. Dispose of this refuse material in a manner acceptable to the Engineer.
- B. In certain areas it may be desirable for existing trees, shrubs, or other vegetation on the site to be preserved for the permanent landscape. Such vegetation may be shown on the drawings, specifically listed in the specifications, marked on the site, or identified by the Engineer. In no case damage or remove such growth without written permission from the Owner.
- C. If the area to be excavated is occupied by trees, brush, or other vegetable growth, clear such growth and grub the excavated area, and remove all large roots to a depth of not less than 2' below the bottom of the proposed construction. Dispose of the growth removed in a manner satisfactory to the Engineer. Fill all holes or cavities created during this work that extend below the subgrade elevation with suitable material, and compact to the same density as the surrounding material.
- D. Trees, cultivated shrubs, etc., that are situated within public rights-of-way and/or construction easements through private property but not directly within the excavation area shall remain undisturbed unless it is necessary to remove them so that the work can be performed safely and unless their removal is specifically ordered by the Engineer. Take special precautions to protect and preserve such growth throughout all stages of the construction.
- E. Preparation of the site shall be considered an integral part of the excavation and one for which no separate payment shall be allowed.

### 3.2 EXCAVATION

- A. Excavation is Unclassified, and includes excavation to subgrade elevations regardless of character of materials and obstructions encountered. It shall be understood that any reference to rock, earth, or any other material on the drawings is not to be taken as an indication of classified excavation or the quantity of either rock, earth, or any other material involved.
- B. The bidder shall draw his own conclusions as to the conditions to be encountered.

### 3.3 UNSUITABLE MATERIALS

- A. Wherever muck, quicksand, soft clay, swampy ground, or other material unsuitable for foundations, subgrade, or backfilling is encountered, remove it and continue excavation until suitable material is encountered. The material removed shall be disposed of in the manner described below. Then refill the areas excavated for this reason with 1" to 2" crushed stone up to the level of the lines, grades, and/or cross sections shown on the drawings. The top 6" of this refill shall be ALDOT No. 67 crushed stone for bedding.

### 3.4 ROCKS AND BOULDERS

- A. Any material that is encountered within the limits of the required excavation that cannot be removed by traditional excavation methods, including rock, boulders, masonry, hard pan, chert, shale, street and sidewalk pavements, and/or similar materials, shall be considered as unclassified excavation, and no separate payment will be made therefor.

- B. Should rock be encountered in the excavation, remove it by hammering, chipping or otherwise. Blasting will not be allowed.
- C. Excavate rock to a minimum horizontal distance of 12” outside the pipe in each direction and to a depth of not less than 12” below the bottom of the pipe if rock extends to such depth. Then backfill the space below the pipe with ALDOT No. 67 crushed stone, tamp to the proper grade, and make ready for construction.

### 3.5 DISPOSAL OF MATERIALS

- A. Whenever practicable, all materials removed by excavation that are suitable for backfilling pipe trenches or for other purposes shown on the drawings or directed by the Engineer shall be used for these purposes. Any materials not so used shall be considered waste materials and disposed of by the Contractor as specified below.
- B. Waste materials may be deposited in spoil areas at locations approved by the Engineer. Waste materials shall be properly disposed of off-site if no spoil area is approved by the Engineer. Provide a copy of executed property owner agreements to Engineer. Do not leave in unsightly piles but instead spread in uniform layers, neatly level, and shape to drain. Seed as specified in Section 02920, Lawns and Grasses.
- C. Once any part of the work is completed, properly dispose of all surplus or unused materials (including waste materials) left within the construction limits of that work. Leave the surface of the work in a neat and workmanlike condition, as described below.
- D. The disposal of waste materials shall be considered an integral part of the excavation work and one for which no separate payment shall be allowed.

### 3.6 EXCAVATION FOR MANHOLES AND STRUCTURES

- A. Excavation for manholes, inlets, and other incidental structures shall not be greater in horizontal area than that required to allow a 2' clearance between the outer surface of the structure and the walls of the adjacent excavation or of the sheeting used to protect it. The bottom of the excavation shall be true to the required shape and elevation shown on the drawings. No earth backfilling will be permitted under manholes, inlets, headwalls, or similar structures. Should the Contractor excavate below the elevations shown or specified, he shall at his own expense, fill the void with either concrete or granular material approved by the Engineer.

### 3.7 SHEETING, SHORING AND BRACING

- A. Take special care to avoid damage wherever excavation is being done. Sufficiently sheet, shore, and brace the sides of all excavations to prevent slides, cave-ins, settlement, or movement of the banks and to maintain the specified trench widths. Use solid sheets in wet, saturated, or flowing ground. All sheeting, shoring, and bracing shall have enough strength and rigidity to withstand the pressures exerted, to keep the walls of the excavation properly in place, and to protect all persons and property from injury or damage. Separate payment will not be made for sheeting, shoring, and bracing, which are considered an incidental part of the excavation work.
- B. Wherever employees may be exposed to moving ground or cave-ins, shore and lay back exposed earth excavation surfaces more than 5' high to a stable slope, or else provide some equivalent means of protection. Effectively protect trenches less than 5' deep when examination

of the ground indicates hazardous ground movement may be expected. Guard the walls and faces of all excavations in which employees are exposed to danger from moving ground by a shoring system, sloping of the ground, or some equivalent protection.

- C. Comply with all OSHA standards in determining where and in what manner sheeting, shoring, and bracing are to be done. The sheeting, shoring, and bracing system shall be designed by a professional engineer licensed in the State of Alabama and shall be subject to approval by the Engineer. However, such approval does not relieve the Contractor of the sole responsibility for the safety of all employees, the effectiveness of the system, and any damages or injuries resulting from the lack or inadequacy of sheeting, shoring, and bracing.
- D. Where excavations are made adjacent to existing buildings or structures or in paved streets or alleys, take particular care to sheet, shore, and brace the sides of the excavation so as to prevent any undermining of or settlement beneath such structures or pavement. Underpin adjacent structures wherever necessary, with the approval of the Engineer.
- E. Do not leave sheeting, shoring, or bracing materials in place unless this is called for by the drawings, ordered by the Engineer, or deemed necessary or advisable for the safety or protection of the new or existing work or features. Remove these materials in such a manner that the new structure or any existing structures or property, whether public or private, will not be endangered or damaged and that cave-ins and slides are avoided.
- F. Fill and compact all holes and voids left in the work by the removal of sheeting, shoring, or bracing as specified herein.
- G. The Contractor may use a trench box, which is a prefabricated movable trench shield composed of steel plates welded to a heavy steel frame. The trench box shall be designed to provide protection equal to or greater than that of an appropriate shoring system.
- H. Dewatering: Prevent surface water and subsurface or ground water from flowing into excavations and from flooding project site and surrounding area.
- I. Do not allow water to accumulate in excavations. Remove water to prevent softening of subgrade foundation bottoms, undercutting footings, and soil changes detrimental to stability of subgrades and foundations. Provide and maintain pumps, well points, sumps, suction and discharge lines, and other dewatering system components necessary to convey water away from excavations.
- J. Establish and maintain temporary drainage ditches and other diversions outside excavation limits to convey rain water and water removed from excavations to collecting or run-off areas. Do not use trench excavations as temporary drainage ditches.

### 3.8 BORROW EXCAVATION

- A. Whenever the backfill of excavated areas or the placement of embankments requires more material than is available from authorized excavations, or whenever the backfill material from such excavations is unsuitable, then obtain additional material from other sources. This may require the opening of borrow pits at points accessible to the work. In such cases, make suitable arrangements with the property owner and pay all incidental costs, including any royalties, for

the use of the borrowed material. Before a borrow pit is opened, the quality and suitability of its material shall be approved by the Engineer.

- B. Excavate borrow pits in such a way that the remaining surfaces and slopes are reasonably smooth and that adequate drainage is provided over the entire area. Construct drainage ditches wherever necessary to provide outlets for water to the nearest natural channel, thus preventing the formation of pools in the pit area. Leave the sides of borrow pit cuts at a maximum slope of 2:1 unless otherwise directed by the Engineer.
- C. Properly clear and grub borrow pits, and remove all objectionable matter from the borrow pit material before placing it in the backfill.
- D. The taking of materials from borrow pits for use in the construction of backfill, fills, or embankments shall be considered an incidental part of the work; no separate payment shall be made for this.

### 3.9 BACKFILLING

- A. Conduct backfilling around manholes, inlets, outfalls, and/or structures in the same manner as specified for water lines, gravity sewers and/or force mains except that even greater care is necessary to prevent damage to the utility structure.
- B. Perform backfilling so as not to disturb or injure any pipe and/or structure against which the backfill is being placed. If any pipe or structure is damaged and/or displaced during backfilling, open up the backfill and make whatever repairs are necessary.

### 3.10 MAINTENANCE

- A. Seed and maintain in good condition all excavated areas, trenches, fills, embankments, and channels until final acceptance by the Owner.
- B. Maintain trench backfill at the approximate level of the original ground surface by periodically adding backfill material wherever necessary and whenever directed to do so by the Engineer. Continue such maintenance until final acceptance of the project, or until the Engineer issues a written release.

### 3.11 SLOPES

- A. Neatly trim all open cut slopes, and finish to conform either with the slope lines shown on the drawings or the directions of the Engineer. Leave the finished surfaces of bottom and sides in reasonably smooth and uniform planes like those normally obtainable with hand tools, though the Contractor will not be required to use hand methods if he is able to obtain the required degree of evenness with mechanical equipment. Conduct grading operations so that material is not removed or loosened beyond the required slope.

END OF SECTION 312316.01

**This page intentionally left blank.**

## SECTION 312319 - DEWATERING

### PART 1 - GENERAL

#### 1.1 SUMMARY

- A. Section Includes:
1. Dewatering system.
  2. Surface water control system.
  3. Monitoring wells.
  4. System operation and maintenance.
  5. Water disposal.

#### 1.2 DEFINITIONS

- A. Dewatering includes the following:
1. Lowering of ground water table and intercepting horizontal water seepage to prevent ground water from entering excavations and trenches.
  2. Reducing piezometric pressure within strata to prevent failure or heaving of excavations and trenches.
  3. Disposing of removed water.
- B. Surface Water Control: Removal of surface water within open excavations.

#### 1.3 SYSTEM DESCRIPTION

- A. Provide dewatering and surface water control systems to permit Work to be completed on dry and stable subgrade.
- B. Furnish standby equipment stored at Project site and ready for immediate use upon failure of dewatering equipment.
- C. Design dewatering systems to:
1. Lower water table within areas of excavation to permit Work to be completed on dry and stable subgrade.
  2. Relieve hydrostatic pressures in confined water bearing strata below excavation to eliminate risk of uplift or other instability of excavation.
  3. Prevent damage to adjacent properties, buildings, structures, utilities, and facilities from construction operations.
  4. Prevent loss of fines, quick condition, or softening of foundation subgrade.
  5. Maintain stability of sides and bottoms of excavations and trenches.
- D. Design surface water control systems to:



1. Collect and remove surface water and seepage entering excavation.

#### 1.4 SUBMITTALS

- A. N/A

#### 1.5 CLOSEOUT SUBMITTALS

- A. Project Record Documents: Record actual locations and depths of capped wells and piping abandoned in place.

#### 1.6 QUALITY ASSURANCE

- A. Comply with authorities having jurisdiction for the following:
  1. Drilling and abandoning of wells used for dewatering systems.
  2. Water discharge and disposal from pumping operations.
- B. Obtain permit from EPA under National Pollutant Discharge Elimination System (NPDES), for storm water discharge from construction sites.
- C. Assume sole responsibility for dewatering and surface water control systems and for loss or damage resulting from partial or complete failure of protective measures and settlement or resultant damage caused by ground water control operations.
- D. Perform Work in accordance with governing standards.
- E. Maintain one copy of each document on site.

### PART 2 - PRODUCTS

#### 2.1 DEWATERING EQUIPMENT

- A. Furnish materials in accordance with governing standards.

### PART 3 - EXECUTION

#### 3.1 EXAMINATION

- A. Conduct additional borings and investigations to supplement subsurface investigations identified in Section 003100 as required to complete dewatering system design.
- B. Call Local Utility Line Information service not less than (3) working days before performing Work.

1. Request underground utilities to be located and marked within and surrounding construction areas.

C. Employ licensed land surveyor to provide following documentation:

1. Survey existing adjacent buildings, structures, and improvements for position and elevation of principal elements before and after completion of dewatering operations.

### 3.2 PREPARATION

A. Protect existing adjacent buildings, structures, and improvements from damage caused by dewatering operations.

### 3.3 MONITORING WELLS

A. Install monitoring wells

B. Test each monitoring well point to verify installation is performing properly.

C. Install piezometers, calibrate, and test for proper operation.

D. Protect monitoring well standpipes from damage by construction operations.

E. Maintain accessibility to monitoring wells continuously during construction operations.

F. Maintain monitoring wells until groundwater is allowed to return to normal level.

### 3.4 DEWATERING SYSTEM

A. Install Work in accordance with governing standards.

### 3.5 SURFACE WATER CONTROL SYSTEM

A. Provide ditches, berms, and other devices to divert and drain surface water from excavation area.

B. Divert surface water and seepage water within excavation areas into sumps and pump water in accordance with requirements of agencies having jurisdiction.

C. Control and remove unanticipated water seepage into excavation.

### 3.6 SYSTEM OPERATION AND MAINTENANCE

A. Operate dewatering system continuously until backfilling is complete.

- B. Provide 24-hour supervision of dewatering system by personnel skilled in operation, maintenance, and replacement of system components.
- C. When dewatering system cannot control water within excavation, notify Architect/Engineer and stop excavation work.
- D. Modify dewatering and surface water control systems when operation causes or threatens to cause damage to new construction, existing site improvements, adjacent property, or adjacent water wells.
- E. Do not discontinue dewatering operations without Architect/Engineer's approval.

### 3.7 SYSTEM REMOVAL

- A. Remove dewatering and surface water control systems after dewatering operations are discontinued.
- B. Remove piezometers and monitoring wells.
- C. Repair damage caused by dewatering and surface water control systems or resulting from failure of systems to protect property.

### 3.8 FIELD QUALITY CONTROL

- A. After dewatering system is installed, perform pumping test to determine when selected pumping rate lowers water level in well below pump intake. Adjust pump speed, discharge volume, or both to ensure proper operation of each pump.

END OF SECTION 312319

## SECTION 312500 - EROSION AND SEDIMENTATION CONTROLS

### PART 1 - GENERAL

#### 1.1 SUMMARY

A. Section Includes:

1. The work shall include erosion and sediment control on all cut and fill operations, excavation, backfill, or other construction activities within the limits of the construction site, within any temporary or permanent easements, and within any borrow site used during the period of construction. The protection of these sites shall continue throughout the construction period. During dry weather, sprinkle the sites with water or use other means as necessary to provide dust control.

#### 1.2 QUALITY ASSURANCE

- A. All erosion and sediment control work shall comply with applicable requirements of governing authorities having jurisdiction. The specifications and drawings are not represented as being comprehensive, but rather convey the intent to provide complete slope protection and erosion control for both the Owner's and adjacent property.
- B. Erosion control measures shall be established at the beginning of construction and maintained during the entire period of construction. On-site areas, which are subject to severe erosion, and off-site areas which are especially vulnerable to damage from erosion and/or sedimentation, are to be identified and receive special attention.
- C. All land-disturbing activities are to be planned and conducted to minimize the size of the area to be exposed at any one time, and the length of time of exposure.
- D. Surface water runoff originating upgrate of exposed areas should be controlled to reduce erosion and sediment loss during the period of exposure.
- E. When the increase in the peak rates and velocity of storm water runoff resulting from a land-disturbing activity is sufficient to cause accelerated erosion of the receiving stream, provide measures to control both the velocity and rate of release so as to minimize accelerated erosion and increased sedimentation of the stream.
- F. All land-disturbing activities shall be planned and conducted so as to minimize off-site sedimentation discharge and damage.
- G. The Contractor is responsible for cleaning out and disposing of all sediment once the storage capacity of the sediment facility is reduced by one-half.
- H. Frequent inspections of erosion and sediment control measures by the Contractor are required. Repair or replacement shall be made promptly.

## PART 2 - PRODUCTS

### 2.1 MATERIALS

- A. Temporarily stabilize areas from which topsoil has been removed and topsoil stockpiles by seeding fast growing annuals such as cereal, rye, annual ryegrass, Sudan grass, and millet that provide quick protection. These annual grasses shall be seed certified by the State Department of Agriculture and shall be worked into the soil when the site is prepared for final seeding of more permanent species. To promote temporary vegetation establishment, use commercial lime and fertilizer on exposed areas subject to severe erosion.
- B. Strawbales: Bales shall be either wire bound or string tied with bindings orientated around sides rather than over and under.
- C. Crushed stone for stabilized construction entrance shall conform to ASTM Designation C-33, size No. 2 (1-1/2" to 2-1/2").
- D. Silt fence shall be "Envirofence" preassembled silt fence by Mirafi, Inc., or its equivalent.
- E. Sandbags anchored with steel rods or brush obtained from clearing operations may also be used to control sediment loss.

## PART 3 - EXECUTION

### 3.1 PROTECTION

- A. Conduct construction so as to provide the site with maximum protection from erosion at all times.
- B. Conduct excavation activities to provide erosion and sediment control as follows:
  - 1. Do not start clearing and excavation until a firm construction schedule is submitted to and approved by the Engineer. Continuously coordinate the schedule with the clearing and excavation activity.
  - 2. Place the excavated material so as not to block any drainage area. Replace this excavated material in the trench immediately after repairs or installations have been completed and are approved by the Engineer.
  - 3. Retain natural vegetation whenever feasible.
  - 4. Restore and cover exposed areas subject to erosion as quickly as possible by means of seeding and mulching. Use diversion ditches or other methods as appropriate to prevent storm water from running over the exposed area until seeding is established as specified.
  - 5. Take particular care along streams and drainage ditches so that fallen trees, debris, and excavated material will not adversely affect the streamflow. Exercise care to minimize the destruction of streambanks. Wherever the streambanks are affected by construction, reduce the slope of the streambanks to provide a suitable condition for vegetative protection. Minimize land exposure in terms of area and time.
  - 6. Cover exposed excavated areas with mulch or vegetation.
  - 7. Mechanically retard the rate of runoff water.
  - 8. Trap the sediment contained in the runoff water.

9. Divert water from erosive areas.
10. Take care during the hauling of materials, etc., to keep vehicles from creating a severe erosion problem. Proper scheduling of operations and prompt repair of ruts created during this operation is necessary from this source.
11. Control dust by sprinkling or other means as necessary to keep it to a minimum.
12. Stabilize roadways and driveways as soon as feasible.

- C. Regrade and reseed surfaces eroded or otherwise damaged during any and all construction operations.

### 3.2 STRAW BALE BARRIERS

- A. Excavation shall be to the width of the bale and the length of the proposed barrier to a minimum depth of 4 inches.
- B. Bales shall be placed in a single row, lengthwise on proposed line, with ends of adjacent bales tightly abutting one another. In swales and ditches the barrier shall extend to such a length that the bottoms of the end bales are higher in elevation than the top of the lowest middle bale.
- C. Staking shall be accomplished to securely anchor bales by driving at least two stakes or rebars through each bale and a minimum of 8 inches into the ground.
- D. The gaps between bales shall be filled by wedging straw.
- E. The excavated soil shall be backfilled against the barrier. Backfill shall conform to ground level on the downhill side and shall be built up to 4 inches on the uphill side. Loose straw shall then be scattered over the area immediately uphill from a straw barrier.

### 3.3 STABILIZED CONSTRUCTION ENTRANCE

- A. Stone size: Use ASTM designation C-33, size No. 2 (1-1/2" to 2-1/2"). Use crushed stone.
- B. Length: As effective, but not less than 150 feet.
- C. Thickness: Not less than eight (8) inches.
- D. Width: The full width of all points of ingress or egress, but not less than 20 feet.
- E. Washing: When necessary, wheels shall be cleaned to remove sediment prior to entrance onto public right-of-way. When washing is required, it shall be done on an area stabilized with crushed stone, which drains into an approved sediment trap or sediment basin. All sediment shall be prevented from entering any storm drain, ditch, or watercourse through use of sand bags, gravel, boards or other approved methods.
- F. Maintenance: The entrance shall be maintained in a condition, which will prevent tracking or flowing of sediment onto public rights-of-way. This may require periodic top dressing with additional stone as conditions demand and repair and/or cleanout of any measures used to trap sediment. It is recommended that a layer of medium grade filter fabric be placed on the ground prior to placing stone. This would help prevent infiltration of fines into the stone. All sediment spilled, dropped, washed or tracked onto public rights-of-way shall be removed immediately.

### 3.4 SILT FENCING

- A. Excavate a 6-inch by 6-inch trench along the lower perimeter of the site, when using premanufactured silt fencing.
- B. Install the silt fence in accordance with the manufacturer's recommendations and the details shown on the plans.
- C. Pile brush in a row along the perimeter of the land disturbing activities. Windrow brush along contour as close as possible. Brush may require compaction.

### 3.5 INLET PROTECTION

- A. Excavation around the drop inlet shall be performed to accommodate the width of the bale and to a minimum depth of 4 inches.
- B. Placement of bales shall be lengthwise in a single row surrounding the drop inlet. Adjacent bales shall be pressed together and loose straw then wedged between them to prevent water entering between bales.
- C. Staking shall be accomplished to securely anchor bales by driving at least two stakes or rebars through each bale and a minimum of 8 inches into the soil.
- D. Backfill shall consist of the excavated soil and be compacted against the straw barrier.

### 3.6 DUST CONTROL

- A. Dust generated from the contractor's performance of the work, either inside or outside the right-of-way shall be controlled by the contractor by applying either water or calcium chloride.
- B. Water and calcium chloride shall be provided in the amounts and locations in accordance with general local practice.

### 3.7 NPDES PERMIT

- A. As designed, the total disturbed acreage of this project is more than one (1) acre, therefore an NPDES permit is required. The Contractor shall be responsible for applying for, obtaining, and complying with an NPDES permit for the project.

END OF SECTION 312500

## SECTION 321216 - ASPHALT PAVING

### PART 1 - GENERAL

#### 1.1 RELATED DOCUMENTS

- A. Drawings and general provisions of the Contract, including General and Supplementary Conditions and Division 1 Specification Sections, apply to this Section.

#### 1.2 SUMMARY

- A. This Section includes the following:
  - 1. Hot-mix asphalt paving.
  - 2. Hot-mix asphalt patching.
  - 3. Hot-mix asphalt paving overlay.
  - 4. Pavement-marking paint.
  - 5. Cold milling of existing hot-mix asphalt pavement.
- B. Related Sections include the following:
  - 1. Division 2 Section "Earthwork" for aggregate sub-base and base courses and for aggregate pavement shoulders.

#### 1.3 DEFINITIONS

- A. Hot-Mix Asphalt Paving Terminology: Refer to ASTM D 8 for definitions of terms.
- B. DOT: Department of Transportation.

#### 1.4 SYSTEM DESCRIPTION

- A. Provide hot-mix asphalt paving according to materials, workmanship, and other applicable requirements of standard specifications of state or local DOT.
  - 1. Standard Specification: Local Standard Specifications / DOT.
  - 2. Measurement and payment provisions and safety program submittals included in standard specifications do not apply to this Section.

#### 1.5 SUBMITTALS

- A. Product Data: For each type of product indicated. Include technical data and tested physical and performance properties.
- B. Job-Mix Designs: Certification, by authorities having jurisdiction, of approval of each job mix proposed for the Work.

#### 1.6 QUALITY ASSURANCE

- A. Manufacturer Qualifications: A qualified manufacturer.
  - 1. Manufacturer shall be a paving-mix manufacturer registered with and approved by authorities having jurisdiction or the DOT of the state in which Project is located.



- B. Regulatory Requirements: Comply with Standards of local regulatory authority for asphalt paving work.
- C. Asphalt-Paving Publication: Comply with AIMS-22, "Construction of Hot Mix Asphalt Pavements," unless more stringent requirements are indicated.

#### 1.7 DELIVERY, STORAGE, AND HANDLING

- A. Deliver pavement-marking materials to Project site in original packages with seals unbroken and bearing manufacturer's labels containing brand name and type of material, date of manufacture, and directions for storage.
- B. Store pavement-marking materials in a clean, dry, protected location within temperature range required by manufacturer. Protect stored materials from direct sunlight.

#### 1.8 PROJECT CONDITIONS

- A. Environmental Limitations: Do not apply asphalt materials if subgrade is wet or excessively damp or if the following conditions are not met:
  - 1. Prime and Tack Coats: Minimum surface temperature of 60 deg F.
  - 2. Asphalt Base Course: Minimum surface temperature of 40 deg F and rising at time of placement.
  - 3. Asphalt Surface Course: Minimum surface temperature of 60 deg F at time of placement.
- B. Pavement-Marking Paint: Proceed with pavement marking only on clean, dry surfaces and at a minimum ambient or surface temperature of 40 deg F for oil-based materials, 50 deg F for water-based materials, and not exceeding 95 deg F.

### PART 2 - PRODUCTS

#### 2.1 AGGREGATES

- A. General: Use materials and gradations that have performed satisfactorily in previous installations.
- B. Coarse Aggregate: ASTM D 692, sound; angular crushed stone, crushed gravel, or properly cured, crushed blast-furnace slag.
- C. Fine Aggregate: ASTM D 1073, sharp-edged natural sand or sand prepared from stone, gravel, properly cured blast-furnace slag, or combinations thereof.
  - 1. For hot-mix asphalt, limit natural sand to a maximum of 20 percent by weight of the total aggregate mass.
- D. Mineral Filler: ASTM D 242, rock or slag dust, hydraulic cement, or other inert material.

#### 2.2 ASPHALT MATERIALS

- A. Asphalt Binder: AASHTO MP 1.
- B. Asphalt Cement: ASTM D 946 for penetration-graded material.

- C. Prime Coat: ASTM D 2027, medium-curing cutback asphalt.
- D. Prime Coat: Asphalt emulsion prime complying with local regulatory requirements.
- E. Tack Coat: ASTM D 977, emulsified asphalt or ASTM D 2397, cationic emulsified asphalt, slow setting, diluted in water, of suitable grade and consistency for application.
- F. Water: Potable.
- G. Undersealing Asphalt: ASTM D 3141, pumping consistency.

### 2.3 AUXILIARY MATERIALS

- A. Sand: ASTM D 1073, Grade Nos. 2 or 3.
- B. Joint Sealant: ASTM D 3405, hot-applied, single-component, polymer-modified bituminous sealant.
- C. Pavement-Marking Paint: Latex, waterborne emulsion, lead and chromate free, ready mixed, complying with FS TT-P-1952, with drying time of less than 3 minutes.
- D. Glass Beads: AASHTO M 247, Type 1.

### 2.4 MIXES

- A. Hot-Mix Asphalt: Dense, hot-laid, hot-mix asphalt plant mixes approved by authorities having jurisdiction and designed according to procedures in AI MS-2, "Mix Design Methods for Asphalt Concrete and Other Hot-Mix Types."
  - 1. Provide mixes with a history of satisfactory performance in geographical area where Project is located.
  - 2. Provide mixes complying with composition, grading, and tolerance requirements in ASTM D 3515 for the following nominal, maximum aggregate sizes:
    - a. Base Course: **1 inch.**
    - b. Surface Course: **1/2 inch.**

## PART 3 - EXECUTION

### 3.1 EXAMINATION

- A. Verify that subgrade is dry and in suitable condition to support paving and imposed loads.
- B. Proof-roll sub-base using heavy, pneumatic-tired rollers to locate areas that are unstable or that require further compaction.
- C. Proceed with paving only after unsatisfactory conditions have been corrected.

### 3.2 PATCHING

- A. Hot-Mix Asphalt Pavement: Saw cut perimeter of patch and excavate existing pavement section to sound base. Excavate rectangular or trapezoidal patches, extending **12 inches** into

adjacent sound pavement, unless otherwise indicated. Cut excavation faces vertically. Remove excavated material. Recompress existing unbound-aggregate base course to form new subgrade.

- B. Portland Cement Concrete Pavement: Break cracked slabs and roll as required to reseal concrete pieces firmly.
  - 1. Pump hot undersealing asphalt under rocking slabs until slab is stabilized or, if necessary, crack slab into pieces and roll to reseal pieces firmly.
  - 2. Remove disintegrated or badly cracked pavement. Excavate rectangular or trapezoidal patches, extending into adjacent sound pavement, unless otherwise indicated. Cut excavation faces vertically. Recompress existing unbound-aggregate base course to form new subgrade.
- C. Tack Coat: Apply uniformly to vertical surfaces abutting or projecting into new, hot-mix asphalt paving at a rate of **0.05 to 0.15 gal./sq. yd.**
  - 1. Allow tack coat to cure undisturbed before applying hot-mix asphalt paving.
  - 2. Avoid smearing or staining adjoining surfaces, appurtenances, and surroundings. Remove spillages and clean affected surfaces.
- D. Patching: Fill excavated pavements with hot-mix asphalt base mix and, while still hot, compact flush with adjacent surface.

### 3.3 SURFACE PREPARATION

- A. General: Immediately before placing asphalt materials, remove loose and deleterious material from substrate surfaces. Ensure that prepared subgrade is ready to receive paving.
  - 1. Sweep loose granular particles from surface of unbound-aggregate base course. Do not dislodge or disturb aggregate embedded in compacted surface of base course.
- B. Prime Coat: Apply uniformly over surface of compacted unbound-aggregate base course at a rate of **0.15 to 0.50 gal./sq. yd.** Apply enough material to penetrate and seal but not flood surface. Allow prime coat to cure for 72 hours minimum.
  - 1. If prime coat is not entirely absorbed within 24 hours after application, spread sand over surface to blot excess asphalt. Use enough sand to prevent pickup under traffic. Remove loose sand by sweeping before pavement is placed and after volatiles have evaporated.
  - 2. Protect primed substrate from damage until ready to receive paving.
- C. Tack Coat: Apply uniformly to surfaces of existing pavement at a rate of **0.05 to 0.15 gal./sq. yd.**
  - 1. Allow tack coat to cure undisturbed before applying hot-mix asphalt paving.
  - 2. Avoid smearing or staining adjoining surfaces, appurtenances, and surroundings. Remove spillages and clean affected surfaces.

### 3.4 HOT-MIX ASPHALT PLACING

- A. Machine place hot-mix asphalt on prepared surface, spread uniformly, and strike off. Place asphalt mix by hand to areas inaccessible to equipment in a manner that prevents segregation of mix. Place each course to required grade, cross section, and thickness when compacted.
  - 1. Place hot-mix asphalt base course in number of lifts and thicknesses indicated.
  - 2. Place hot-mix asphalt surface course in single lift.
  - 3. Spread mix at minimum temperature of **250 deg F.**

4. Begin applying mix along centerline of crown for crowned sections and on high side of one-way slopes, unless otherwise indicated.
  5. Regulate paver machine speed to obtain smooth, continuous surface free of pulls and tears in asphalt-paving mat.
- B. Place paving in consecutive strips not less than **10 feet** wide unless infill edge strips of a lesser width are required.
1. After first strip has been placed and rolled, place succeeding strips and extend rolling to overlap previous strips. Complete a section of asphalt base course before placing asphalt surface course.
- C. Promptly correct surface irregularities in paving course behind paver. Use suitable hand tools to remove excess material forming high spots. Fill depressions with hot-mix asphalt to prevent segregation of mix; use suitable hand tools to smooth surface.

### 3.5 JOINTS

- A. Construct joints to ensure a continuous bond between adjoining paving sections. Construct joints free of depressions with same texture and smoothness as other sections of hot-mix asphalt course.
1. Clean contact surfaces and apply tack coat to joints.
  2. Offset longitudinal joints, in successive courses, a minimum of **6 inches**.
  3. Offset transverse joints, in successive courses, a minimum of **24 inches**.
  4. Construct transverse joints as described in AI MS-22, "Construction of Hot Mix Asphalt Pavements."
  5. Compact joints as soon as hot-mix asphalt will bear roller weight without excessive displacement.
  6. Compact asphalt at joints to a density within 2 percent of specified course density.

### 3.6 COMPACTION

- A. General: Begin compaction as soon as placed hot-mix paving will bear roller weight without excessive displacement. Compact hot-mix paving with hot, hand tampers or vibratory-plate compactors in areas inaccessible to rollers.
1. Complete compaction before mix temperature cools to **185 deg F**.
- B. Breakdown Rolling: Complete breakdown or initial rolling immediately after rolling joints and outside edge. Examine surface immediately after breakdown rolling for indicated crown, grade, and smoothness. Correct laydown and rolling operations to comply with requirements.
- C. Intermediate Rolling: Begin intermediate rolling immediately after breakdown rolling while hot-mix asphalt is still hot enough to achieve specified density. Continue rolling until hot-mix asphalt course has been uniformly compacted to the following density:
1. Average Density: 96 percent of reference laboratory density according to AASHTO T 245, but not less than 94 percent nor greater than 100 percent.
  2. Average Density: 92 percent of reference maximum theoretical density according to ASTM D 2041, but not less than 90 percent nor greater than 96 percent.
- D. Finish Rolling: Finish roll paved surfaces to remove roller marks while hot-mix asphalt is still warm.

- E. Edge Shaping: While surface is being compacted and finished, trim edges of pavement to proper alignment. Bevel edges while asphalt is still hot; compact thoroughly.
- F. Repairs: Remove paved areas that are defective or contaminated with foreign materials and replace with fresh, hot-mix asphalt. Compact by rolling to specified density and surface smoothness.
- G. Protection: After final rolling, do not permit vehicular traffic on pavement until it has cooled and hardened.
- H. Erect barricades to protect paving from traffic until mixture has cooled enough not to become marked.

### 3.7 INSTALLATION TOLERANCES

- A. Thickness: Compact each course to produce the thickness indicated within the following tolerances:
  - 1. Base Course: Plus or minus **1/2 inch**.
  - 2. Surface Course: Plus **1/4 inch**, no minus.
- B. Surface Smoothness: Compact each course to produce a surface smoothness within the following tolerances as determined by using a **10-foot** straightedge applied transversely or longitudinally to paved areas:
  - 1. Base Course: **1/4 inch**.
  - 2. Surface Course: **1/8 inch**.
  - 3. Crowned Surfaces: Test with crowned template centered and at right angle to crown. Maximum allowable variance from template is **1/4 inch**.

### 3.8 SURFACE TREATMENTS

- A. Fog Seals: Apply fog seal at a rate of **0.10 to 0.15 gal./sq. yd.** to existing asphalt pavement and allow to cure. With a fine sand, lightly dust areas receiving excess fog seal.

### 3.9 PAVEMENT MARKING

- A. Do not apply pavement-marking paint until layout, colors, and placement have been verified with Engineer.
- B. Allow paving to age for 30 days before starting pavement marking.
- C. Sweep and clean surface to eliminate loose material and dust.
- D. Apply paint with mechanical equipment to produce pavement markings, of dimensions indicated, with uniform, straight edges. Apply at manufacturer's recommended rates to provide a minimum wet film thickness of **15 mils**.
  - 1. Broadcast glass spheres uniformly into wet pavement markings at a rate of **6 lb/gal.**

### 3.10 FIELD QUALITY CONTROL

- A. Testing Agency: Owner will engage a qualified independent testing and inspecting agency to perform field tests and inspections and to prepare test reports.

1. Testing agency will conduct and interpret tests and state in each report whether tested Work complies with or deviates from specified requirements.
  - B. Additional testing and inspecting, at Contractor's expense, will be performed to determine compliance of replaced or additional work with specified requirements.
  - C. Thickness: In-place compacted thickness of hot-mix asphalt courses shall be determined according to ASTM D 3549.
  - D. Surface Smoothness: Finished surface of each hot-mix asphalt course shall be tested for compliance with smoothness tolerances.
  - E. In-Place Density: Testing agency will take samples of uncompacted paving mixtures and compacted pavement according to ASTM D 979.
  - F. Remove and replace or install additional hot-mix asphalt where test results or measurements indicate that it does not comply with specified requirements.
- 3.11 DISPOSAL
- A. Except for material indicated to be recycled, remove excavated materials from Project site and legally dispose of them in an EPA-approved landfill.
    1. Do not allow excavated materials to accumulate on-site.

END OF SECTION 321216

**This page intentionally left blank.**

## SECTION 321313 - CONCRETE PAVING

### PART 1 - GENERAL

#### 1.1 RELATED DOCUMENTS

- A. Drawings and general provisions of the Contract, including General and Supplementary Conditions and Division 1 Specification Sections, apply to this Section.

#### 1.2 SUMMARY

- A. This Section includes exterior cement concrete pavement for the following:
  - 1. Driveways and roadways.
  - 2. Parking lots.
  - 3. Curbs and gutters.
  - 4. Walkways.
- B. Related Sections include the following:
  - 1. Division 2 Section "Earthwork" for subgrade preparation, grading, and subbase course.
  - 2. Division 2 Section "Pavement Joint Sealants" for joint sealants within concrete pavement and at isolation joints of concrete pavement with adjacent construction.
  - 3. Division 3 Section "Cast-in-Place Concrete" for general building applications of concrete.

#### 1.3 DEFINITIONS

- A. Cementitious Materials: Portland cement alone or in combination with one or more of blended hydraulic cement, expansive hydraulic cement, fly ash and other pozzolans, ground granulated blast-furnace slag, and silica fume.

#### 1.4 SUBMITTALS

- A. Design Mixes: For each concrete pavement mix. Include alternate mix designs when characteristics of materials, project conditions, weather, test results, or other circumstances warrant adjustments.

#### 1.5 QUALITY ASSURANCE

- A. Installer Qualifications: An experienced installer who has completed pavement work similar in material, design, and extent to that indicated for this Project and whose work has resulted in construction with a record of successful in-service performance.
- B. Testing Agency Qualifications: An independent testing agency, acceptable to authorities having jurisdiction, qualified according to ASTM C 1077 and ASTM E 329 to conduct the testing indicated, as documented according to ASTM E 548.
- C. Source Limitations: Obtain each type or class of cementitious material of the same brand from the same manufacturer's plant and each aggregate from one source.



- D. ACI Publications: Comply with ACI 301, "Specification for Structural Concrete," unless modified by the requirements of the Contract Documents.
- E. Concrete Testing Service: The Owner will engage a qualified independent testing agency to perform material evaluation tests.
- F. Pre-installation Conference: Conduct conference at Project site to comply with requirements in Division 1 Section "Project Meetings."

## 1.6 PROJECT CONDITIONS

- A. Traffic Control: Maintain access for vehicular and pedestrian traffic as required for neighborhood access construction activities.

## PART 2 - PRODUCTS

### 2.1 FORMS

- A. Form Materials: Plywood, metal, metal-framed plywood, or other approved panel-type materials to provide full-depth, continuous, straight, smooth exposed surfaces.
  - 1. Use flexible or curved forms for curves of a radius **100 feet** or less.
- B. Form-Release Agent: Commercially formulated form-release agent that will not bond with, stain, or adversely affect concrete surfaces and will not impair subsequent treatments of concrete surfaces.

### 2.2 STEEL REINFORCEMENT

- A. Plain-Steel Welded Wire Fabric: ASTM A 185, fabricated from as-drawn steel wire into flat sheets.
- B. Deformed-Steel Welded Wire Fabric: ASTM A 497, flat sheet.
- C. Reinforcement Bars: ASTM A 615/A 615M, **Grade 60**, deformed.
- D. Steel Bar Mats: ASTM A 184/A 184M; with ASTM A 615/A 615M, **Grade 60**, deformed bars; assembled with clips.
- E. Plain Steel Wire: ASTM A 82, as drawn.
- F. Joint Dowel Bars: Plain steel bars, ASTM A 615/A 615M, **Grade 60**. Cut bars true to length with ends square and free of burrs.
- G. Tie Bars: ASTM A 615/A 615M, **Grade 60**, deformed.
- H. Bar Supports: Bolsters, chairs, spacers, and other devices for spacing, supporting, and fastening reinforcement bars, welded wire fabric, and dowels in place. Manufacture bar supports according to CRSI's "Manual of Standard Practice" from steel wire, plastic, or precast concrete or fiber-reinforced concrete of greater compressive strength than concrete, and as follows:

1. Equip wire bar supports with sand plates or horizontal runners where base material will not support chair legs.

## 2.3 CONCRETE MATERIALS

- A. General: Use the same brand and type of cementitious material from the same manufacturer throughout the Project.
- B. Portland Cement: ASTM C 150, Type I or II.
  1. Fly Ash: ASTM C 618, Class F or C.
  2. Ground Granulated Blast-Furnace Slag: ASTM C 989, Grade 100 or 120.
- C. Aggregate: ASTM C 33, uniformly graded, from a single source, with coarse aggregate as follows:
  1. Maximum Aggregate Size: **1-1/2 inches** nominal.
  2. Do not use fine or coarse aggregates containing substances that cause spalling.
- D. Exposed Aggregate: Selected, hard, and durable; washed; free of material that reacts with cementitious material or causes staining; from a single source, with gap graded coarse aggregate as follows:
  1. Aggregate Sizes: **3/4 to 1 inch** nominal.
- E. Water: ASTM C 94.

## 2.4 ADMIXTURES

- A. General: Admixtures certified by manufacturer to contain not more than 0.1 percent water-soluble chloride ions by mass of cement and to be compatible with other admixtures.
- B. Air-Entraining Admixture: ASTM C 260.

## 2.5 FIBER REINFORCEMENT

- A. Synthetic Fiber: Fibrillated or monofilament polypropylene fibers engineered and designed for use in concrete pavement, complying with ASTM C 1116, Type III, **1/2 to 1-1/2 inches** long.
- B. Products: Subject to compliance with requirements, provide one of the following:
  1. Fibrillated Fibers:
    - a. Fibrasol F; Axim Concrete Technologies.
    - b. Fibermesh; Fibermesh, Div. of Synthetic Technologies.
    - c. Forta; Forta Corporation.
    - d. Grace Fibers; W. R. Grace & Co., Construction Products Div.
  2. Monofilament Fibers:
    - a. Fibrasol IIP; Axim Concrete Technologies.
    - b. Fiberstrand 100; Euclid Chemical Co.
    - c. Fibermix Stealth; Fibermesh, Div. of Synthetic Industries.
    - d. Forta Mono; Forta Corporation.
    - e. Grace MicroFiber; W. R. Grace & Co., Construction Products Div.
    - f. Polystrand 1000; Metalcrete Industries.

## 2.6 CURING MATERIALS

- A. Absorptive Cover: AASHTO M 182, Class 2, burlap cloth made from jute or kenaf, weighing approximately **9 oz./sq. yd.** dry.
- B. Moisture-Retaining Cover: ASTM C 171, polyethylene film or white burlap-polyethylene sheet.
- C. Water: Potable.
- D. Clear Waterborne Membrane-Forming Curing Compound: ASTM C 309, Type 1, Class B.
- E. Products: Subject to compliance with requirements, provide one of the following:
  - 1. Clear Waterborne Membrane-Forming Curing Compound:
    - a. AH Curing Compound #2 DR WB; Anti-Hydro International, Inc.
    - b. Aqua Resin Cure; Burke Group, LLC (The).
    - c. Safe-Cure Clear; ChemMasters.
    - d. W.B. Resin Cure; Conspec Marketing & Manufacturing Co., Inc.
    - e. Day Chem Rez Cure (J-11-W); Dayton Superior Corporation.
    - f. Nitocure S; Fosroc.
    - g. Aqua Kure-Clear; Lambert Corporation.
    - h. L&M Cure R; L&M Construction Chemicals, Inc.
    - i. 1100 Clear; W. R. Meadows, Inc.
    - j. Resin Cure E; Nox-Crete Products Group, Kinsman Corporation.
    - k. Rich Cure E; Richmond Screw Anchor Co.
    - l. Resi-Chem Clear Cure; Symons Corporation.
    - m. Hornocure 100; Tamms Industries Co., Div. of LaPorte Construction Chemicals North America, Inc.
    - n. Hydro Cure; Unitex.
    - o. Certi-Vex Enviocure; Vexcon Chemicals, Inc.

## 2.7 RELATED MATERIALS

- A. Expansion- and Isolation-Joint-Filler Strips: ASTM D 1751, asphalt-saturated cellulosic fiber, or ASTM D 1752, cork or self-expanding cork, or ASTM D 1752-84, recycled rubber.
- B. Pavement-Marking Paint: Latex, water-base emulsion; ready mixed; complying with FS TT-P-1952.
  - 1. Color: Blue for handicapped requirements, yellow for fire lanes, white elsewhere.
- C. Glass Beads: AASHTO M 247.
- D. Slip-Resistive Aggregate Finish: Factory-graded, packaged, rustproof, nonglazing, abrasive aggregate of fused aluminum-oxide granules or crushed emery with emery aggregate containing not less than 50 percent aluminum oxide and not less than 25 percent ferric oxide; unaffected by freezing, moisture, and cleaning materials.
- E. Bonding Agent: ASTM C 1059, Type II, non-redispersible, acrylic emulsion or styrene butadiene.

- F. Epoxy Bonding Adhesive: ASTM C 881, two-component epoxy resin, capable of humid curing and bonding to damp surfaces, of class and grade to suit requirements, and as follows:
1. Types IV and V, load bearing, for bonding hardened or freshly mixed concrete to hardened concrete.

## 2.8 CONCRETE MIXES

- A. Prepare design mixes, proportioned according to ACI 211.1 and ACI 301, for each type and strength of normal-weight concrete determined by either laboratory trial mixes or field experience.
- B. Proportion mixes to provide concrete with the following properties:
1. Compressive Strength (28 Days): **3000 psi**.
  2. Maximum Water-Cementitious Materials Ratio: 0.45.
  3. Slump Limit: **3 inches**.
    - a. Slump Limit for Concrete Containing High-Range Water-Reducing Admixture: Not more than **8 inches** after adding admixture to plant- or site-verified, **2- to 3-inch** slump.
- C. Cementitious Materials: Limit percentage, by weight, of cementitious materials other than portland cement in concrete as follows:
1. Fly Ash: 25 percent.
  2. Combined Fly Ash and Pozzolan: 25 percent.
  3. Ground Granulated Blast-Furnace Slag: 50 percent.
  4. Combined Fly Ash or Pozzolan, and Ground Granulated Blast-Furnace Slag: 50 percent portland cement minimum, with fly ash or pozzolan not exceeding 25 percent.
- D. Add air-entraining admixture at manufacturer's prescribed rate to result in concrete at point of placement having an air content of 2.5 to 4.5 percent.
- E. Synthetic Fiber: Uniformly disperse in concrete mix at manufacturer's recommended rate, but not less than **1.0 lb/cu. yd.**

## 2.9 CONCRETE MIXING

- A. Ready-Mixed Concrete: Comply with requirements and with ASTM C 94 and ASTM C 1116.
1. When air temperature is between **85 deg F** and **90 deg F**, reduce mixing and delivery time from 1-1/2 hours to 75 minutes; when air temperature is above **90 deg F**, reduce mixing and delivery time to 60 minutes.

## PART 3 - EXECUTION

### 3.1 PREPARATION

- A. Proof-roll prepared subbase surface to check for unstable areas and verify need for additional compaction. Proceed with pavement only after nonconforming conditions have been corrected and subgrade is ready to receive pavement.
- B. Remove loose material from compacted subbase surface immediately before placing concrete.

### 3.2 EDGE FORMS AND SCREED CONSTRUCTION

- A. Set, brace, and secure edge forms, bulkheads, and intermediate screed guides for pavement to required lines, grades, and elevations. Install forms to allow continuous progress of work and so forms can remain in place at least 24 hours after concrete placement.
- B. Clean forms after each use and coat with form release agent to ensure separation from concrete without damage.

### 3.3 STEEL REINFORCEMENT

- A. General: Comply with CRSI's "Manual of Standard Practice" for fabricating reinforcement and with recommendations in CRSI's "Placing Reinforcing Bars" for placing and supporting reinforcement.
- B. Clean reinforcement of loose rust and mill scale, earth, ice, or other bond-reducing materials.
- C. Arrange, space, and securely tie bars and bar supports to hold reinforcement in position during concrete placement. Maintain minimum cover to reinforcement.
- D. Install welded wire fabric in lengths as long as practicable. Lap adjoining pieces at least one full mesh, and lace splices with wire. Offset laps of adjoining widths to prevent continuous laps in either direction.
- E. Install fabricated bar mats in lengths as long as practicable. Handle units to keep them flat and free of distortions. Straighten bends, kinks, and other irregularities, or replace units as required before placement. Set mats for a minimum **2-inch** overlap to adjacent mats.

### 3.4 JOINTS

- A. General: Construct construction, isolation, and contraction joints and tool edgings true to line with faces perpendicular to surface plane of concrete. Construct transverse joints at right angles to centerline, unless otherwise indicated.
  - 1. When joining existing pavement, place transverse joints to align with previously placed joints, unless otherwise indicated.
- B. Construction Joints: Set construction joints at side and end terminations of pavement and at locations where pavement operations are stopped for more than one-half hour, unless pavement terminates at isolation joints.
  - 1. Continue reinforcement across construction joints, unless otherwise indicated. Do not continue reinforcement through sides of pavement strips, unless otherwise indicated.
  - 2. Provide tie bars at sides of pavement strips where indicated.
  - 3. Use a bonding agent at locations where fresh concrete is placed against hardened or partially hardened concrete surfaces.
- C. Isolation Joints: Form isolation joints of preformed joint-filler strips abutting concrete curbs, catch basins, manholes, inlets, structures, walks, other fixed objects, and where indicated.
  - 1. Locate expansion joints at intervals of **50 feet**, unless otherwise indicated. Locate expansion joints at maximum 30 feet o.c. for sidewalks. Locate expansion joints at all curb returns.
  - 2. Extend joint fillers full width and depth of joint.

3. Terminate joint filler less than **1/2 inch** or more than **1 inch** below finished surface if joint sealant is indicated.
  4. Place top of joint filler flush with finished concrete surface if joint sealant is not indicated.
  5. Furnish joint fillers in one-piece lengths. Where more than one length is required, lace or clip joint-filler sections together.
  6. Protect top edge of joint filler during concrete placement with metal, plastic, or other temporary preformed cap. Remove protective cap after concrete has been placed on both sides of joint.
- D. Install dowel bars and support assemblies at joints where indicated. Lubricate or asphalt-coat one-half of dowel length to prevent concrete bonding to one side of joint.
- E. Contraction Joints: Form weakened-plane contraction joints, sectioning concrete into areas as follows: In vehicular pavements, place contraction joints to form squares and to not exceed 12 feet on any side. In sidewalks, place contraction joints to form squares and to not exceed 6 feet on any side. In curbs, place contraction joints at 10 feet on center. See drawings for additional information.
- F. Construct contraction joints for a depth equal to at least one-fourth of the concrete thickness, as follows:
1. Grooved Joints: Form contraction joints after initial floating by grooving and finishing each edge of joint with groover tool to the following radius. Repeat grooving of contraction joints after applying surface finishes. Eliminate groover marks on concrete surfaces.
    - a. Radius: **1/4 inch**.
  2. Sawed Joints: Form contraction joints with power saws equipped with shatterproof abrasive or diamond-rimmed blades. Cut **1/8-inch-** wide joints into concrete when cutting action will not tear, abrade, or otherwise damage surface and before developing random contraction cracks.
- G. Edging: Tool edges of pavement, gutters, curbs, and joints in concrete after initial floating with an edging tool to the following radius. Repeat tooling of edges after applying surface finishes. Eliminate tool marks on concrete surfaces.
1. Radius: **1/4 inch**.
- 3.5 CONCRETE PLACEMENT
- A. Inspection: Before placing concrete, inspect and complete formwork installation, reinforcement steel, and items to be embedded or cast in. Notify other trades to permit installation of their work.
- B. Remove snow, ice, or frost from subbase surface and reinforcement before placing concrete. Do not place concrete on frozen surfaces.
- C. Moisten subbase to provide a uniform dampened condition at the time concrete is placed. Do not place concrete around manholes or other structures until they are at the required finish elevation and alignment.
- D. Comply with requirements and with recommendations in ACI 304R for measuring, mixing, transporting, and placing concrete.

- E. Consolidate concrete by mechanical vibrating equipment supplemented by hand-spading, rodding, or tamping. Use equipment and procedures to consolidate concrete according to recommendations in ACI 309R.
  - 1. Consolidate concrete along face of forms and adjacent to transverse joints with an internal vibrator. Keep vibrator away from joint assemblies, reinforcement, or side forms. Use only square-faced shovels for hand spreading and consolidation. Consolidate with care to prevent dislocating reinforcement, dowels, and joint devices.
- F. Screed pavement surfaces with a straightedge and strike off. Commence initial floating using bull floats or darbies to form an open textured and uniform surface plane before excess moisture or bleed water appears on the surface. Do not further disturb concrete surfaces before beginning finishing operations or spreading dry-shake surface treatments.
- G. Curbs and Gutters: When automatic machine placement is used for curb and gutter placement, submit revised mix design and laboratory test results that meet or exceed requirements. Produce curbs and gutters to required cross section, lines, grades, finish, and jointing as specified for formed concrete. If results are not approved, remove and replace with formed concrete.
- H. Slip-Form Pavers: When automatic machine placement is used for pavement, submit revised mix design and laboratory test results that meet or exceed requirements. Produce pavement to required thickness, lines, grades, finish, and jointing as required for formed pavement.
  - 1. Compact subbase and prepare subgrade of sufficient width to prevent displacement of paver machine during operations.
- I. When adjoining pavement lanes are placed in separate pours, do not operate equipment on concrete until pavement has attained 85 percent of its 28-day compressive strength.
- J. Cold-Weather Placement: Comply with ACI 306.1 and as follows. Protect concrete work from physical damage or reduced strength that could be caused by frost, freezing actions, or low temperatures.
  - 1. When air temperature has fallen to or is expected to fall below 40 deg F, uniformly heat water and aggregates before mixing to obtain a concrete mixture temperature of not less than 50 deg F and not more than 80 deg F at point of placement.
  - 2. Do not use frozen materials or materials containing ice or snow.
  - 3. Do not use calcium chloride, salt, or other materials containing antifreeze agents or chemical accelerators, unless otherwise specified and approved in mix designs.
- K. Hot-Weather Placement: Place concrete according to recommendations in ACI 305R and as follows when hot-weather conditions exist:
  - 1. Cool ingredients before mixing to maintain concrete temperature at time of placement below 90 deg F. Chilled mixing water or chopped ice may be used to control temperature, provided water equivalent of ice is calculated to total amount of mixing water. Using liquid nitrogen to cool concrete is Contractor's option.
  - 2. Cover reinforcement steel with water-soaked burlap so steel temperature will not exceed ambient air temperature immediately before embedding in concrete.
  - 3. Fog-spray forms, reinforcement steel, and subgrade just before placing concrete. Keep subgrade moisture uniform without standing water, soft spots, or dry areas.

### 3.6 CONCRETE FINISHING

- A. General: Wetting of concrete surfaces during screeding, initial floating, or finishing operations is prohibited.
- B. Finish of all replaced concrete shall match the finish of existing adjacent concrete.
- C. Float Finish: Begin the second floating operation when bleed-water sheen has disappeared and the concrete surface has stiffened sufficiently to permit operations. Float surface with power-driven floats, or by hand floating if area is small or inaccessible to power units. Finish surfaces to true planes. Cut down high spots, and fill low spots. Refloat surface immediately to uniform granular texture.
  - 1. Medium-to-Fine-Textured Broom Finish: Draw a soft bristle broom across float-finished concrete surface perpendicular to line of traffic to provide a uniform, fine-line texture.
  - 2. Medium-to-Coarse-Textured Broom Finish: Provide a coarse finish by striating float-finished concrete surface **1/16 to 1/8 inch** deep with a stiff-bristled broom, perpendicular to line of traffic.

### 3.7 SPECIAL FINISHES

- A. Monolithic Exposed Aggregate Finish: Expose coarse aggregate to pavement surfaces as follows:
  - 1. Immediately after floating, spray-apply chemical surface retarder to pavement according to manufacturer's written instructions.
  - 2. Cover with plastic sheeting, sealing laps with tape, and remove when ready to continue finishing operations.
  - 3. Without dislodging aggregate, remove excess mortar by lightly brushing surface with a stiff, nylon bristle broom.
  - 4. Fine-spray surface with water and brush. Repeat water flushing and brushing cycle until cement film is removed from aggregate surfaces to depth required.
- B. Slip-Resistant Aggregate Finish: Before final floating, apply slip-resistant aggregate finish to pavement surfaces according to manufacturer's written instructions and as follows:
  - 1. Uniformly spread **25 lb/100 sq. ft.** of dampened nonslip aggregate over the surface. Tamp aggregate flush with surface using a steel trowel, but do not force below surface.
  - 2. After curing, lightly work surface with a steel wire brush or an abrasive stone, and water to expose nonslip aggregate.

### 3.8 CONCRETE PROTECTION AND CURING

- A. General: Protect freshly placed concrete from premature drying and excessive cold or hot temperatures. Comply with ACI 306.1 for cold-weather protection and follow recommendations in ACI 305R for hot-weather protection during curing.
- B. Begin curing after finishing concrete, but not before free water has disappeared from concrete surface.
- C. Curing Methods: Cure concrete by moisture curing, moisture-retaining-cover curing, curing compound, or a combination of these as follows:
  - 1. Moisture Curing: Keep surfaces continuously moist for not less than seven days with the following materials:



- a. Water.
  - b. Continuous water-fog spray.
  - c. Absorptive cover, water saturated, and kept continuously wet. Cover concrete surfaces and edges with **12-inch** lap over adjacent absorptive covers.
2. Moisture-Retaining-Cover Curing: Cover concrete surfaces with moisture-retaining cover for curing concrete, placed in widest practicable width, with sides and ends lapped at least **12 inches**, and sealed by waterproof tape or adhesive. Immediately repair any holes or tears during curing period using cover material and waterproof tape.
  3. Curing Compound: Apply uniformly in continuous operation by power spray or roller according to manufacturer's written instructions. Recoat areas subjected to heavy rainfall within three hours after initial application. Maintain continuity of coating and repair damage during curing period.

### 3.9 PAVEMENT TOLERANCES

- A. Comply with tolerances of ACI 117 and as follows:
  1. Elevation: **1/4 inch**.
  2. Thickness: Plus **3/8 inch**, minus **1/4 inch**.
  3. Surface: Gap below **10-foot-** long, unlevelled straightedge not to exceed **1/4 inch**.
  4. Lateral Alignment and Spacing of Tie Bars and Dowels: **1 inch**.
  5. Vertical Alignment of Tie Bars and Dowels: **1/4 inch**.
  6. Alignment of Tie-Bar End Relative to Line Perpendicular to Pavement Edge: **1/2 inch**.
  7. Alignment of Dowel-Bar End Relative to Line Perpendicular to Pavement Edge: Length of dowel **1/4 inch per 12 inches**.
  8. Joint Spacing: **3 inches**.
  9. Contraction Joint Depth: Plus **1/4 inch**, no minus.
  10. Joint Width: Plus **1/8 inch**, no minus.

### 3.10 PAVEMENT MARKING

- A. Do not apply pavement-marking paint until layout, colors, and placement have been verified with Engineer.
- B. Allow concrete pavement to cure for 28 days and be dry before starting pavement marking.
- C. Sweep and clean surface to eliminate loose material and dust.
- D. Apply paint with mechanical equipment to produce pavement markings of dimensions indicated with uniform, straight edges. Apply at manufacturer's recommended rates to provide a minimum wet film thickness of **15 mils**.
  1. Broadcast glass spheres uniformly into wet pavement markings at a rate of **6 lb/gal**.

### 3.11 FIELD QUALITY CONTROL

- A. Testing Agency: The Owner will engage a qualified independent testing and inspection agency to sample materials, perform tests, and submit test reports during concrete placement according to requirements specified in this Article.
- B. Testing Services: Testing shall be performed according to the following requirements:

1. Sampling Fresh Concrete: Representative samples of fresh concrete shall be obtained according to ASTM C 172, except modified for slump to comply with ASTM C 94.
  2. Slump: ASTM C 143; one test at point of placement for each compressive-strength test, but not less than one test for each day's pour of each type of concrete. Additional tests will be required when concrete consistency changes.
  3. Air Content: ASTM C 231, pressure method; one test for each compressive-strength test, but not less than one test for each day's pour of each type of air-entrained concrete.
  4. Concrete Temperature: ASTM C 1064; one test hourly when air temperature is 40 deg F and below and when 80 deg F and above, and one test for each set of compressive-strength specimens.
  5. Compression Test Specimens: ASTM C 31/C 31M; one set of four standard cylinders for each compressive-strength test, unless otherwise indicated. Cylinders shall be molded and stored for laboratory-cured test specimens unless field-cured test specimens are required.
  6. Compressive-Strength Tests: ASTM C 39; one set for each day's pour of each concrete class exceeding 5 cu. yd., but less than 25 cu. yd., plus one set for each additional 50 cu. yd. One specimen shall be tested at 7 days and two specimens at 28 days; one specimen shall be retained in reserve for later testing if required.
  7. When frequency of testing will provide fewer than five compressive-strength tests for a given class of concrete, testing shall be conducted from at least five randomly selected batches or from each batch if fewer than five are used.
  8. When total quantity of a given class of concrete is less than 50 cu. yd., Architect may waive compressive-strength testing if adequate evidence of satisfactory strength is provided.
  9. When strength of field-cured cylinders is less than 85 percent of companion laboratory-cured cylinders, current operations shall be evaluated and corrective procedures shall be provided for protecting and curing in-place concrete.
  10. Strength level of concrete will be considered satisfactory if averages of sets of three consecutive compressive-strength test results equal or exceed specified compressive strength and no individual compressive-strength test result falls below specified compressive strength by more than 500 psi.
- C. Test results shall be reported in writing to Engineer, concrete manufacturer, and Contractor within 24 hours of testing. Reports of compressive-strength tests shall contain Project identification name and number, date of concrete placement, name of concrete testing agency, concrete type and class, location of concrete batch in pavement, design compressive strength at 28 days, concrete mix proportions and materials, compressive breaking strength, and type of break for both 7- and 28-day tests.
- D. Nondestructive Testing: Impact hammer, sonoscope, or other nondestructive device may be permitted by Engineer but will not be used as the sole basis for approval or rejection.
- E. Additional Tests: Testing agency shall make additional tests of the concrete when test results indicate slump, air entrainment, concrete strengths, or other requirements have not been met, as directed by Engineer. Testing agency may conduct tests to determine adequacy of concrete by cored cylinders complying with ASTM C 42, or by other methods as directed. Cost of all additional testing and re-testing will be borne by the Contractor.

3.12 REPAIRS AND PROTECTION

- A. Remove and replace concrete pavement that is broken, damaged, or defective, or does not meet requirements in this Section.
- B. Drill test cores where directed by Engineer when necessary to determine magnitude of cracks or defective areas. Fill drilled core holes in satisfactory pavement areas with portland cement concrete bonded to pavement with epoxy adhesive.
- C. Protect concrete from damage. Exclude traffic from pavement for at least 14 days after placement. When construction traffic is permitted, maintain pavement as clean as possible by removing surface stains and spillage of materials as they occur.
- D. Maintain concrete pavement free of stains, discoloration, dirt, and other foreign material. Sweep concrete pavement not more than two days before date scheduled for Substantial Completion inspections.

END OF SECTION 321313

## SECTION 329221 – LAWNS AND GRASSES

### PART 1 - GENERAL

#### 1.1 SUMMARY

- A. This Section includes seeding, sodding, and landscape replacement.
- B. Landscape replacement work shall be performed in all disturbed areas and shall include, but not necessarily be limited to, all seed bed preparation; the supplying and placing of soil additives, seed, sod, and mulch wherever required by the drawings or directed by the Engineer.

#### 1.2 DEFINITIONS

- A. Finish Grade: Elevation of finished surface of planting soil.
- B. Manufactured Soil: Soil produced off-site by homogeneously blending mineral soils or sand with stabilized organic soil amendments to produce topsoil or planting soil.
- C. Planting Soil: Native or imported topsoil, manufactured topsoil, or surface soil modified to become topsoil; mixed with soil amendments.
- D. Subgrade: Surface or elevation of subsoil remaining after completing excavation, or top surface of a fill or backfill immediately beneath planting soil. Refer to Division 1 Section "Earthwork" and "Excavation Support and Protection".

#### 1.3 SUBMITTALS

- A. Product Data: Refer to Division 1 Section "Submittal Procedures". For each type of product indicated.
- B. Product certificates/certificates of inspection.
- C. Planting Schedule: Indicating anticipated planting dates.

#### 1.4 QUALITY ASSURANCE

- A. No Substitutions: Do not make substitutions. Replace disturbed landscape materials with identical materials. If identical landscape material is not obtainable, submit proof of non-availability from a minimum of 6 suppliers to the Engineer for review by a Landscape Architect, together with proposal for use of equivalent material.
- B. Installer's Field Supervision: Require Installer to maintain an experienced full-time supervisor on Project site when planting is in progress.

#### 1.5 DELIVERY, STORAGE, AND HANDLING

- A. Sod: Harvest, deliver, store, and handle sod according to requirements in TPI's "Specifications for Turfgrass Sod Materials" and "Specifications for Turfgrass Sod Transplanting and Installation" in its "Guideline Specifications to Turfgrass Sodding."

## 1.6 JOB CONDITIONS

- A. Proceed with the complete landscape work as rapidly as portions of site become available, working within seasonal limitations for each kind of turf areas required.
- B. Utilities: Determine location of underground utilities and perform work in a manner which will avoid possible damage. Hand cultivate as required. Maintain grade stakes set by others until removal is mutually agreed upon by parties concerned.
- C. Planting Time: Plant or install materials during normal planting seasons for each type of landscape work required.

## PART 2 - PRODUCTS

### 2.1 SEED

- A. Seed Species: State-certified seed of grass species to match adjacent areas. In unplanted areas, as follows:
  - 1. Warm Season (April 30-August 15): 100% hulled common bermuda, 2#/1000 sf.
  - 2. Cool Season (March 1-April 30): or August 15-November 30): 100% Kentucky 31 tall fescue, 5#/1000 sf.
  - 3. When seeding March 1 to April 1 or October 1 to November 30, add an additional 3 pounds per 1000 square feet of annual ryegrass.

### 2.2 TURFGRASS SOD

- A. Turfgrass Sod: Approved, complying with TPI's "Specifications for Turfgrass Sod Materials" in its "Guideline Specifications to Turfgrass Sodding." Furnish viable sod of uniform density, color, and texture, strongly rooted, and capable of vigorous growth and development when planted.
- B. Turfgrass Species: To match disturbed area and/or adjacent yards.

### 2.3 PLANTING MATERIALS

- A. Topsoil: ASTM D 5268, pH range of 5.5 to 7, a minimum of 2 percent organic material content; free of stones **1 inch** or larger in any dimension and other extraneous materials harmful to plant growth.
  - 1. Topsoil Source: Reuse surface soil stockpiled on-site and supplement with imported or manufactured topsoil from off-site sources when quantities are insufficient. Verify suitability of stockpiled surface soil to produce topsoil.
- B. Inorganic Soil Amendments:
  - 1. Lime: ASTM C 602, Class T or O, agricultural limestone containing a minimum 80 percent calcium carbonate equivalent.

2. Sulfur: Granular, biodegradable, containing a minimum of 90 percent sulfur, with a minimum 99 percent passing through No. 6 sieve and a maximum 10 percent passing through No. 40 sieve.
3. Iron Sulfate: Granulated ferrous sulfate containing a minimum of 20 percent iron and 10 percent sulfur.
4. Aluminum Sulfate: Commercial grade, unadulterated.
5. Sand: Sharp, clean, washed sand, free of toxic materials.

C. Fertilizer:

1. Bonemeal: Commercial, raw or steamed, finely ground; a minimum of 1 percent nitrogen and 10 percent phosphoric acid.
2. Superphosphate: Commercial, phosphate mixture, soluble; a minimum of 20 percent available phosphoric acid.
3. Commercial Fertilizer: Complete fertilizer of neutral character furnished in standard containers that are clearly marked with the name, weight, and guaranteed analysis of the contents and that ensure proper protection in transportation and handling; and in compliance with all local, state, and federal fertilizer laws, with some elements derived from organic sources and containing recommended percentages of available plant nutrients.
4. Slow-Release Fertilizer: Granular or pelleted fertilizer consisting of 50 percent water-insoluble nitrogen, phosphorus, and potassium in the following composition:
  - a. Composition: 20 percent nitrogen, 10 percent phosphorous, and 10 percent potassium, by weight.

D. Mulches:

1. Straw Mulch for Seeding Operations: Provide air-dry, clean, mildew- and seed-free, salt hay or threshed straw of wheat, rye, oats, or barley.
2. Filtration/Separation Fabric: Water permeable filtration fabric of fiberglass or polypropylene fabric.
3. Mulch and Erosion Control Matting and Blankets for Slopes:
  - a. Curlex blanket excelsior blanket.
  - b. Hi-Velocity curlex blanket excelsior blanket by American Excelsior Company, P.O. Box 5067, Arlington, Texas 76011.
4. Erosion Control Matting and Blankets for Ditches and Drainage Channels:
  - a. Enkamat Matting #7020 by AZKO Industrial Systems, Ridgefield Business Center, Suite 18, Asheville, North Carolina 28802.
  - b. Miramat 1000 by Mirafi, Inc., P.O. Box 240967, Charlotte, North Carolina 28224.
5. Straw Mulch for Landscaping Restoration: Provide air-dry, clean, mildew- and seed-free, pine straw.
6. Bark Mulch for Landscaping Restoration: Provide bark mulch as required to match adjacent areas.

## 2.4 PLANTING SOIL MIX

- A. Planting Soil Mix: Submit proposed topsoil test results for approval.

## PART 3 - EXECUTION

### 3.1 LAWN PREPARATION

- A. Newly Graded Subgrades: Loosen subgrade to a minimum depth of **4 inches**. Remove stones larger than **2 inches** in any dimension and sticks, roots, rubbish, and other extraneous matter and legally dispose of them off Owner's property.
- B. Surface Preparation:
  - 1. Loosen surface soil to a depth of at least of 6 inches. Apply soil amendments and fertilizers according to planting soil mix proportions and mix thoroughly into top 4 inches of soil. Till soil to a homogeneous mixture of fine texture.
  - 2. Remove stones larger than **2 inches** in any dimension and sticks, roots, trash, and other extraneous matter.
  - 3. Legally dispose of waste material, including grass, vegetation, and turf, off Owner's property.
- C. Finish Grading: Grade planting areas to a smooth, uniform surface plane with loose, uniformly fine texture. Grade to within plus or minus **1/2 inch** of finish elevation. Roll and rake, remove ridges, and fill depressions to meet finish grades. Limit fine grading to areas that can be planted within 2 days.
- D. Moisten prepared lawn areas before planting if soil is dry. Water thoroughly and allow surface to dry before planting. Do not create muddy soil.
- E. Restore areas if eroded or otherwise disturbed after finish grading and before planting.

### 3.2 SEEDING

- A. Rake seed lightly into top **1/8 inch** of topsoil, roll lightly, and water with fine spray.
- B. Protect all seeded areas by spreading straw mulch. Spread uniformly at a minimum rate of **2 tons/acre** to form a continuous blanket **1-1/2 inches** in loose depth over seeded areas. Spread by hand, blower, or other suitable equipment.
- C. Hydroseeding New Lawns:
  - 1. Mix specified seed, fertilizer and pulverized mulch in water, using equipment specifically designed for hydroseed application. Continue mixing until uniformly blended into homogenous slurry suitable for hydraulic application.
  - 2. Apply slurry uniformly to all areas to be seeded. Rate of application as required to obtain specified seed sowing rate above.

### 3.3 SODDING

- A. Sodding New Lawns:
  - 1. Lay sod within 72 hours from time of stripping. Do not plant dormant sod or if ground is frozen.
  - 2. Lay sod between March 1 and October 15 only unless soil conditions are favorable and written permission is obtained from the Engineer.
  - 3. Lay sod to form a solid mass with tightly fitted joints. Butt ends and sides of sod strips; to not overlap. Stagger strips to offset joints in adjacent courses. Work from boards to

avoid damage to subgrade or sod. Tamp or roll lightly to ensure contact with subgrade. Work sifted soil into minor cracks between pieces of sod; remove excess to avoid smothering of adjacent grass. Lay sod on slopes with short dimension running up and down.

4. Anchor sod on slopes, 3:1 or greater and in drainage swales to prevent slippage, with 1 by 2 wood pegs driven flush with sod.
5. Saturate sod with fine water spray within two hours of planting. During first week, water daily or more frequently as necessary to maintain moist soil to a minimum depth of 1-1/2 inches below sod.
6. Two weeks after the sod is installed, top dress and thoroughly water it. Top dressing shall consist of the following:
  - a. 1/2 to 1 pound: 38 percent urea formaldehyde per 1,000 square feet
  - b. 20 pounds: 6-12-12 per 1,000 square feet
7. No equipment, material storage, construction traffic, etc., will be permitted on newly sodded areas.
8. Dispose of all surplus material off site.

#### 3.4 CLEANUP AND PROTECTION

- A. During landscape work, keep pavements clean and work area in an orderly condition.
- B. Protect landscape work and materials from damage due to landscape operations, operations by other contractors and trades and trespassers. Maintain protection during installation and maintenance periods. Treat, repair or replace damaged landscape work as directed.

END OF SECTION 329221



**This page intentionally left blank.**